



PART#: IB-P962Y&H

iBoard® Series

READ INSTRUCTIONS CAREFULLY BEFORE STARTING INSTALLATION. REMOVE CONTENTS FROM BOX AND VERIFY ALL PARTS ARE PRESENT. ASSISTANCE IS RECOMMENDED.

*ROCKER PANEL MOUNT
*DRILLING IS REQUIRED

Fastener Size	Tightening Torque (ft-lbs)	Required
6mm	6-7	√
8mm	16-18	√
10mm	31-32	X
12mm	56-58	X
14mm	92-94	X

PART LIST

Driver Side Step Bar

Passenger Side Step Bar

Front

1#

2#

Rear Mounting
Brackets W/ Hole

3#

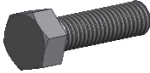
X8

4#




Scan for
Installation Video


Hardware Package A (For Bracket Installation)					
Item	QTY	Description	Item	QTY	Description
1#	2	Driver / Passenger Front Mounting Brackets	5#	16	M8X1.25-20mm Hex Bolts
2#	4	Driver / Passenger Center Mounting Brackets	6#	32	M8 Flat Washers
3#	2	Driver / Passenger Rear Mounting Brackets	7#	16	M8 Nylon Lock Nuts
4#	8	Support Brackets	8#	16	ST6.3x22mm Hex Self Tapping Screws



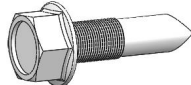
5 #



6 #

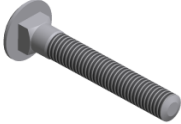


7 #




8 #


Hardware Package B (For Step Bar Installation)					
Item	QTY	Description	Item	QTY	Description
1#	16	M8X1.25-35mm Carriage Bolts	3#	16	M8 Nylon Lock Nuts
2#	16	M8 Large Flat Washers	4#	8	Sliders (Packed with Mounting Brackets)



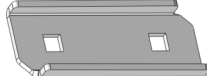
1 #



2 #



3 #



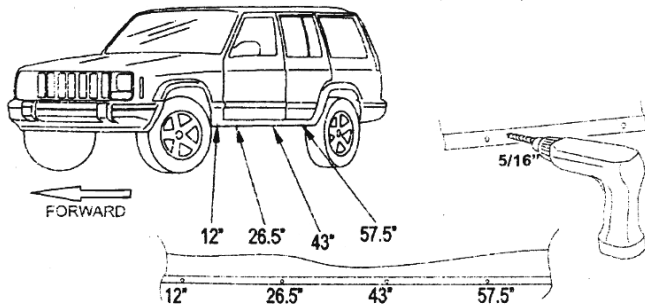
4 #



STEP 1

Start installing from the driver side of the vehicle, drill 5/16" holes on pinch weld as shown (Both sides), **(Fig 1)**.

(VERIFY LOCATIONS BEFORE DRILLING AND FINAL ATTACHMENT.)

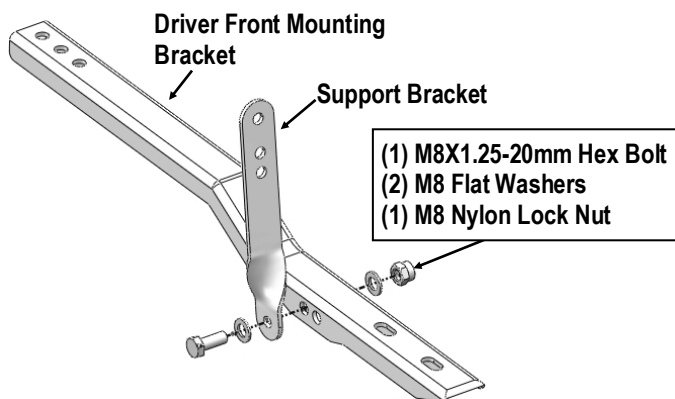


(Fig 1) Driver Side Mounting Locations

STEP 2

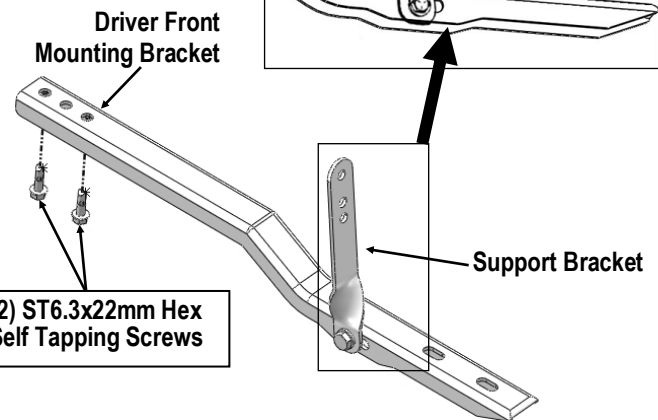
Assemble (1) Driver Front Mounting Bracket and Support Bracket with (1) M8X1.25-20mm Hex Bolt, (2) M8 Flat Washers and (1) M8 Nylon Lock Nut, **(Fig 2)**. Do not fully tighten at this time.

Then attach the assembled Driver Front Mounting Bracket to vehicle with (2) ST6.3x22mm Hex Self Tapping Screws, (1) M8X1.25-20mm Hex Bolt, (2) M8 Flat Washers and (1) M8 Nylon Lock Nut, **(Fig 3)**. Do not fully tighten at this time.



(Fig 2) Driver Front Mounting Bracket Assembly

- (1) M8X1.25-20mm Hex Bolt
- (2) M8 Flat Washers
- (1) M8 Nylon Lock Nut



(Fig 3) Driver Front Mounting Bracket Installation

STEP 3

Move to driver side other (3) Mounting locations. Repeat **Steps 1-2** for Mounting Bracket and Support Bracket assembly and installation. Don't fully tighten hardware at this time.

STEP 4

Once all (4) Driver side mounting brackets are installed, then proceed to the Step Bar installation. **(Figs 4 & 5)**

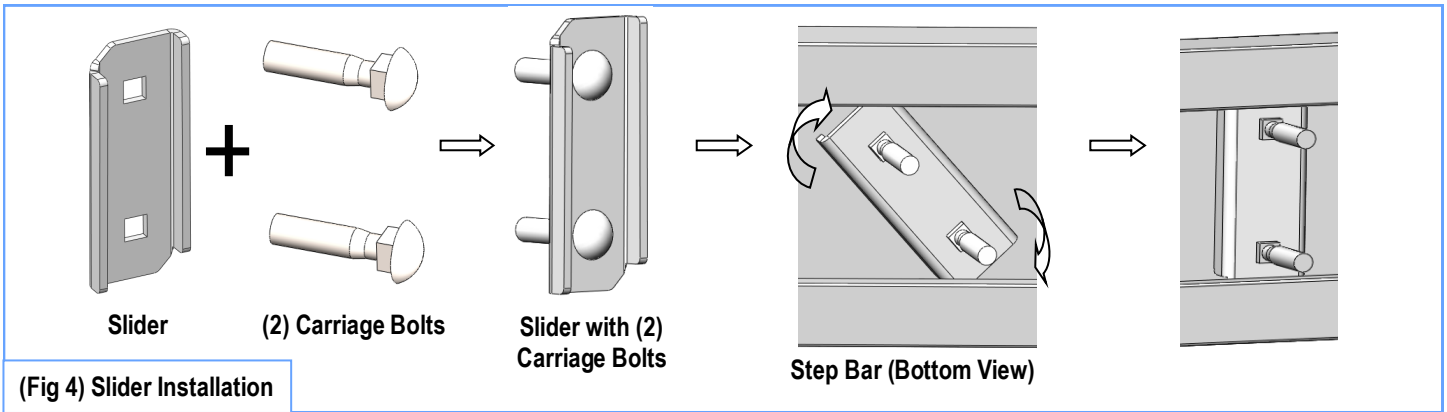
- (1) Select (1) Slider and (2) M8X1.25-35mm Carriage Bolts;
- (2) Install (2) M8X1.25-35mm Carriage Bolts in (1) Slider.
- (3) Slide the Slider (with carriage bolts) to the **Step Bar**.
- (4) Repeat to install the other (3) sliders to the step bar.
- (5) Attach the Step Bar (with the Sliders) onto the installed mounting brackets. Position the Sliders to the installed brackets. Secure the Step Bar to the installed Brackets by using (8) M8 Large Flat Washers and (8) M8 Nylon Lock Nuts and (4) Sliders, **(Fig 5)**. Do not fully tighten hardware at this time.



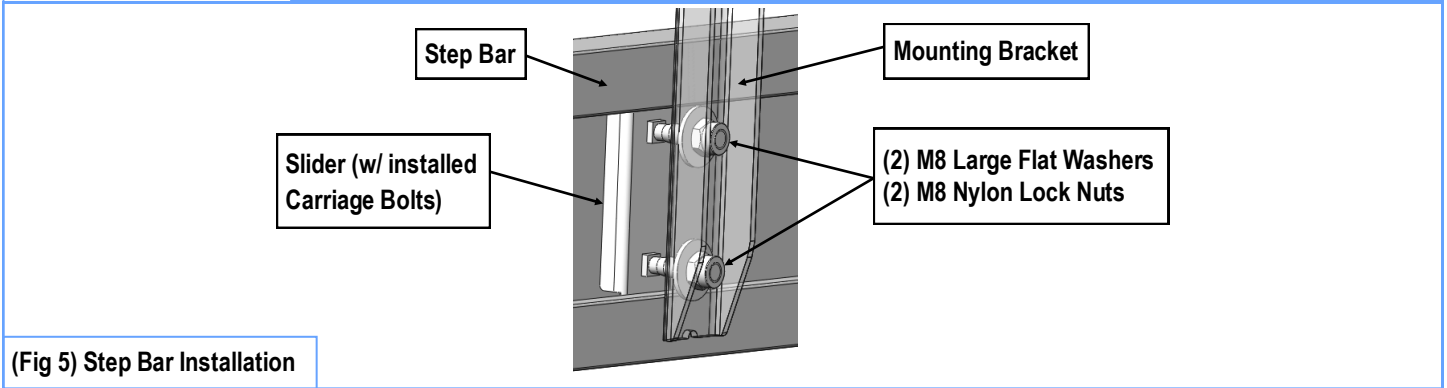
Note: The Sliders are packed with the Mounting Brackets.
Level and adjust the Step Bar and fully tighten all hardware.
Repeat **Steps 1-4** for the other side Step Bar installation. **The installation is completed!!!**

Attention

Do periodic inspections to the installation to make sure that all hardware is secure and tight.
In order to protect your bars/boards, please use mild soap/non-abrasive products for cleaning only.



(Fig 4) Slider Installation



(Fig 5) Step Bar Installation