



PART#: IB-P961Y&H

iBoard® Series

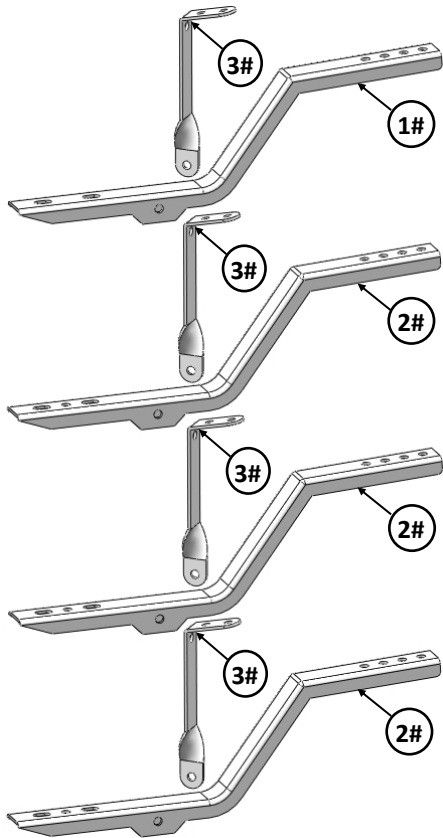
READ INSTRUCTIONS CAREFULLY BEFORE START ING INSTALLATION. REMOVE CONTENTS FROM BOX AND VERIFY ALL PARTS ARE PRESENT. ASSISTANCE IS RECOMMENDED.

Fastener Size	Tightening Torque (ft-lbs)	Required
6mm	6-7	√
8mm	16-18	√
10mm	31-32	X
12mm	56-58	X
14mm	92-94	X

***ROCKER PANEL MOUNT
*DRILLING IS REQUIRED**

PART LIST

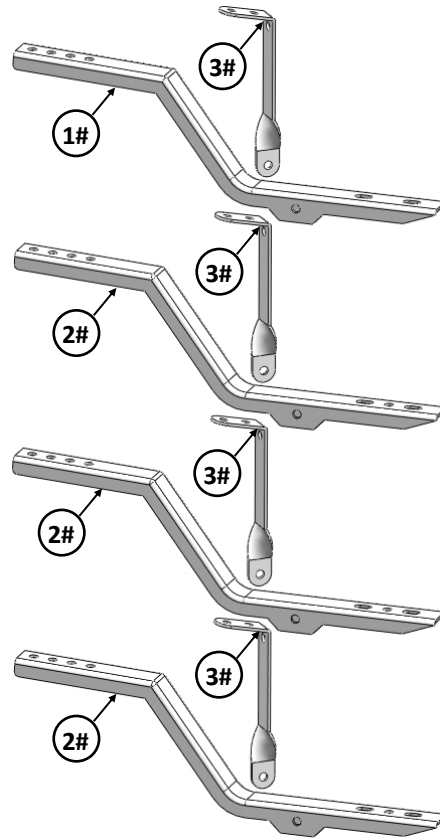
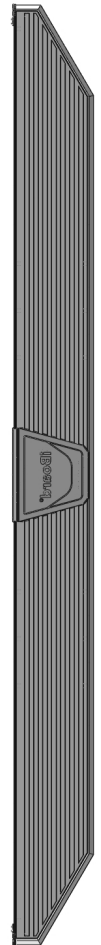
Driver Side Step Bar



Front



Passenger Side Step Bar

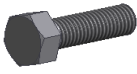


Note: All (8) Support Brackets are Universal




Scan for
Installation Video


Hardware Package A (For Bracket Installation)					
Item	QTY	Description	Item	QTY	Description
1#	2	Driver/Passenger Front Mounting Brackets	5#	32	M8 Flat Washers
2#	6	Driver/Passenger Center/Rear Mounting Brackets	6#	16	M8 Nylon Lock Nuts
3#	8	Support Brackets	7#	24	ST6.3-22mm Hex Self Tapping Screws
4#	16	M8X1.25-20mm Hex Bolts			



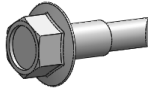
4#



5#

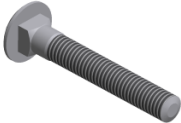


6#




7#


Hardware Package B (For Step Bar Installation)					
Item	QTY	Description	Item	QTY	Description
1#	16	M8X1.25-35mm Carriage Bolts	3#	16	M8 Nylon Lock Nuts
2#	16	M8 Large Flat Washers	4#	8	Sliders (Packed with Mounting Brackets)




1 #



2 #



3 #

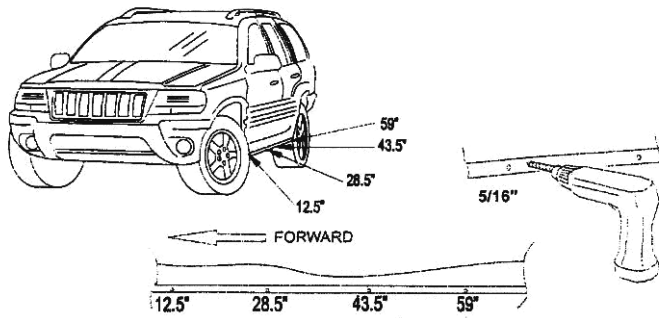


4 #



STEP 1

Starting installation under the driver side of the vehicle. Drilling (4) M8 holes in pinch weld as shown, (Fig 1).

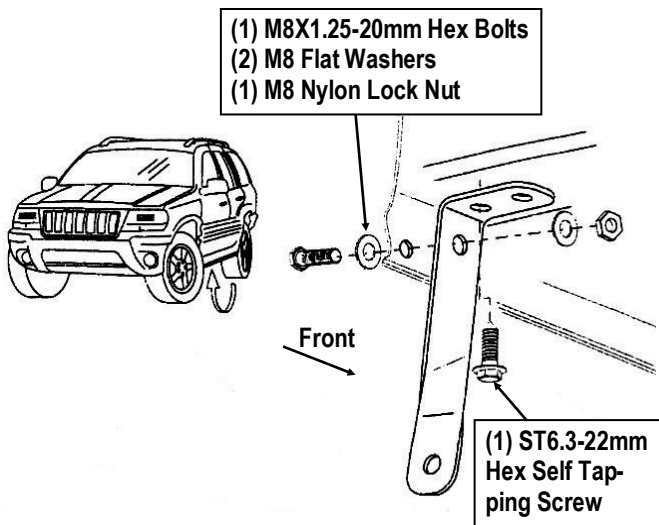


(Fig 1) Driver Side Mounting Locations

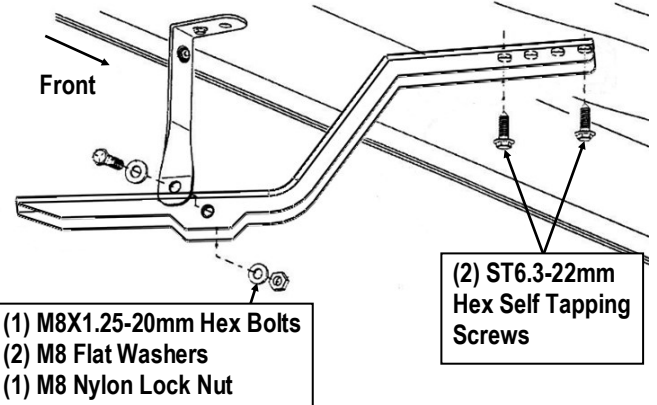
STEP 2

Select (1) Support Bracket and (1) Driver Front Mounting Bracket (DFM). Assembly with (1) M8X1.25-20mm Hex Bolt, (2) M8 Flat Washers and (1) M8 Nylon Lock Nut, (Fig 3). Do not fully tighten hardware at this time.

Attach the assembled Driver Front Mounting Bracket to vehicle as shown, (Figs 2-3). Do not fully tighten hardware at this time.



(Fig 2) Driver Side Front Mounting Bracket Installation



(Fig 3) Driver Side Front Mounting Bracket Installation

STEP 3

Move to the driver side other (3) mounting locations. Repeat **Steps 1-2** to attach the bracket to the vehicle. Do not fully tighten hardware at this time.

STEP 4

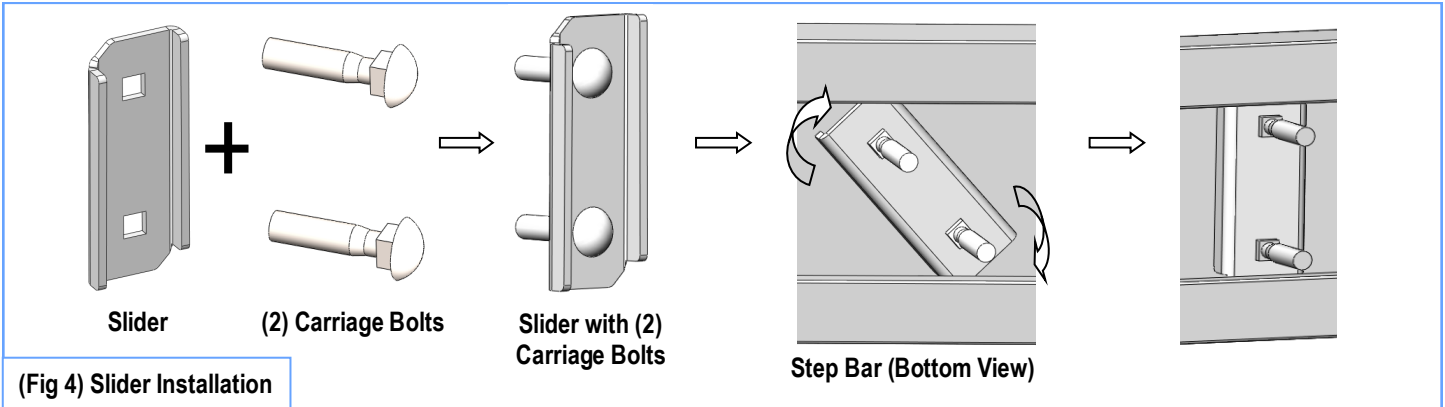
Once all (4) Driver side mounting brackets are installed, then proceed to the Step Bar installation. (Figs 4 & 5)

- (1) Select (1) Slider and (2) M8X1.25-35mm Carriage Bolts;
- (2) Install (2) M8X1.25-35mm Carriage Bolts in (1) Slider.
- (3) Slide the Slider (with carriage bolts) to the **Step Bar**.
- (4) Repeat to install the other (3) sliders to the step bar.
- (5) Attach the Step Bar (with the Sliders) onto the installed mounting brackets. Position the Sliders to the installed brackets. Secure the Step Bar to the installed Brackets by using (8) M8 Large Flat Washers and (8) M8 Nylon Lock Nuts and (4) Sliders, (Fig 5). Do not fully tighten hardware at this time.

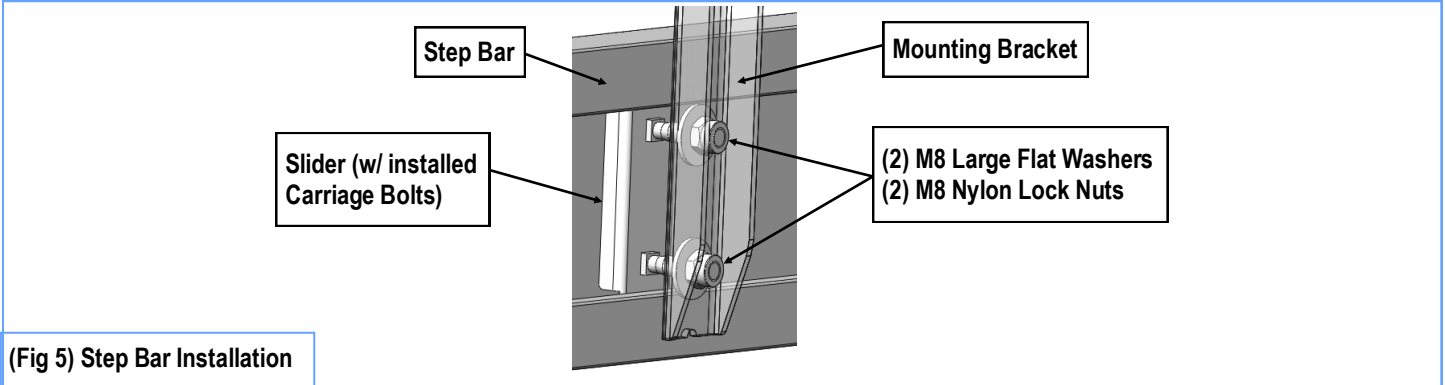
Note: The Sliders are packed with the Mounting Brackets.

Level and adjust the Step Bar and fully tighten all hardware.

Repeat **Steps 1-4** for the other side Step Bar installation. **The installation is completed!!!**



(Fig 4) Slider Installation



(Fig 5) Step Bar Installation

Attention

Do periodic inspections to the installation to make sure that all hardware is secure and tight.
In order to protect your bars/boards, please use mild soap/non-abrasive products for cleaning only.