

iBoard®



Scan for
Installation Video

iBoard® by APS

PART#: IB-P219C&J

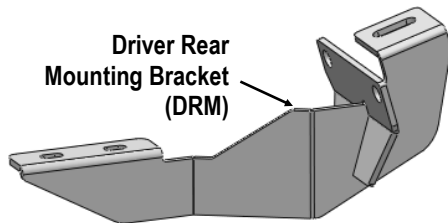
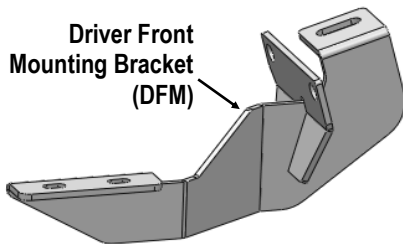
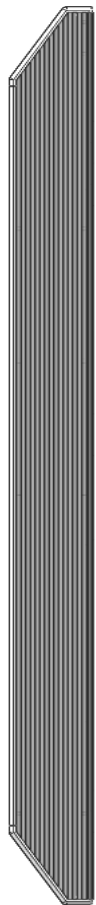
READ INSTRUCTIONS CAREFULLY BEFORE STARTING INSTALLATION. REMOVE CONTENTS FROM BOX AND VERIFY ALL PARTS ARE PRESENT. ASSISTANCE IS RECOMMENDED.

*ROCKER PANEL MOUNT
*NO DRILLING REQUIRED

Fastener Size	Tightening Torque (ft-lbs)	Required
6mm	6-7	X
8mm	16-18	√
10mm	31-32	√
12mm	56-58	X
14mm	92-94	X

PART LIST

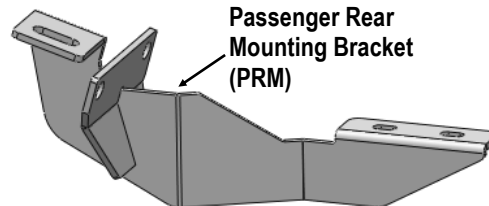
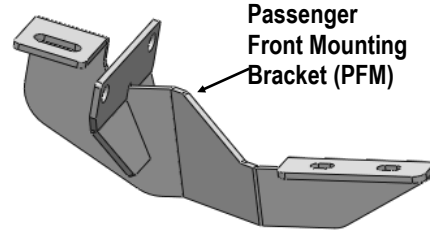
Driver Side Step Bar



Front



Passenger Side Step Bar



Adjustment Spacers

Customer Support: info@iboardauto.com



Scan for
Installation Video

Hardware Package A (For Bracket Installation)

Item	QTY	Description	Item	QTY	Description
1#	4	M10 Bolt Plates	4#	8	M8X1.25-35mm Hex Bolts
2#	4	M10 Large Flat Washers	5#	16	M8 Large Flat Washers
3#	4	M10 Nylon Lock Nuts	6#	8	M8 Nylon Lock Nuts



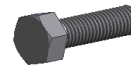
1 #



2 #



3 #



4 #



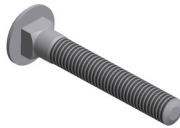
5 #



6 #

Hardware Package B (For Step Bar Installation)

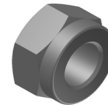
Item	QTY	Description	Item	QTY	Description
1#	8	M8X1.25-35mm Carriage Bolts	3#	8	M8 Nylon Lock Nuts
2#	8	M8 Large Flat Washers	4#	4	Sliders (Packed with Mounting Brackets)



1 #



2 #



3 #

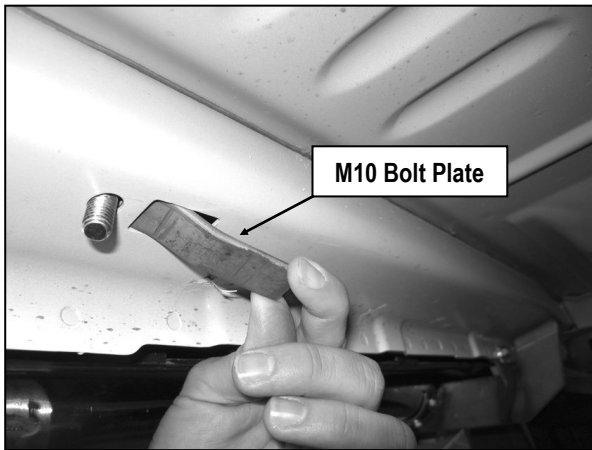


4 #



STEP 1

Start installation front the passenger side of the vehicle. Insert (1) M10 Bolt Plate into the rectangular hole and out the round hole in the bottom of the side panel, **(Fig 1)**.



(Fig 1) Passenger Front Mounting Location

STEP 2

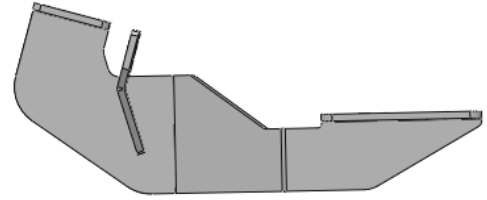
Select the Passenger Front Mounting Bracket. Hold a Passenger Mounting Bracket in place on the outside of the pinch weld and over the Bolt Plate. Attach the Mounting Bracket to the M10 Bolt Plate with the included (1) M10 Large Flat Washer and (1) M10 Nylon Lock Nut, **(Fig 3)**. Leave loose at this time.

NOTE: Make sure that the mounting tab on the Bracket is on the outside of the pinch weld.

Line up the (2) holes in the Bracket with the factory holes in the pinch weld. Attach the Bracket to the pinch weld using the included (2) M8X1.25-35mm Hex Bolts, (4) M8 Large Flat Washers and (2) M8 Nylon Lock Nuts, **(Fig 3)**. Do not fully tighten at this time.

IMPORTANT: The Passenger Front Mounting Bracket is different from the Passenger Rear Mounting Bracket, **(Fig 2)**. Use the instructions to correctly identify the Brackets.

Front



Rear

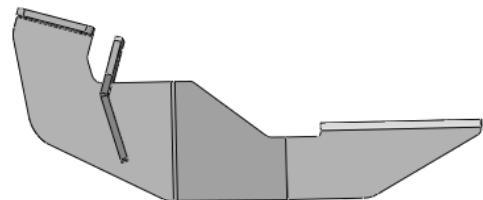
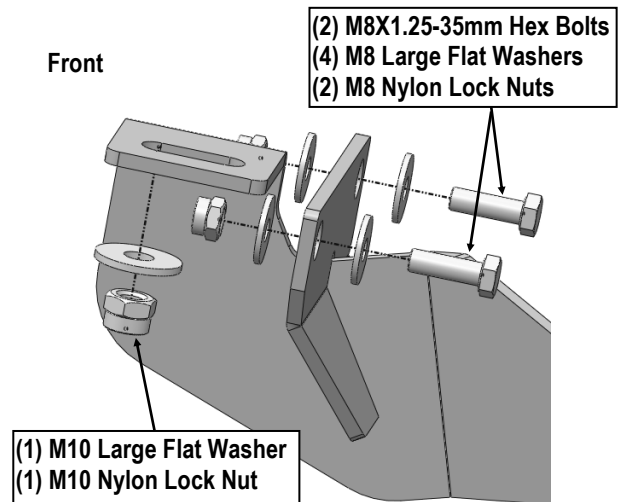


Fig 2

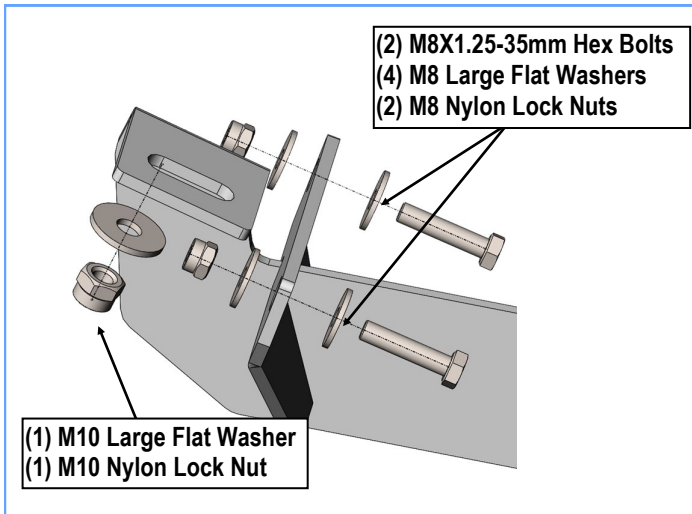
Front



(Fig 3) Passenger Front Mounting Bracket Installation

STEP 3

Move to the Passenger Side Rear Mounting location. Repeat **Steps 1—2** to install the Passenger Rear Mounting Bracket, **(Fig 4)**. Do not fully tighten at this time.



(Fig 4) Passenger Rear Mounting Bracket Installation

STEP 4

NOTE: Depending on the vehicle, model and year, the front of the running board may be close to or make contact with front factory flares. If necessary, insert 1 to 3 of the Adjustment Spacers between the Bracket and the outside of the pinch weld as needed to adjust the fitment of the Side step bar, (Fig 5).



Fig 5

STEP 5

Once all (2) Passenger side mounting brackets are installed, then proceed to the Step Bar installation. (Figs 6 & 7)

- (1) Select (1) Slider and (2) M8X1.25-35mm Carriage Bolts;
- (2) Install (2) M8X1.25-35mm Carriage Bolts in (1) Slider.
- (3) Slide the Slider (with carriage bolts) to the **Step Bar**.
- (4) Repeat to install the other (1) slider to the step bar.
- (5) Attach the Step Bar (with the Sliders) onto the installed mounting brackets. Position the Sliders to the installed brackets. Secure the Step Bar to the installed Brackets by using (4) M8 Large Flat Washers and (4) M8 Nylon Lock Nuts and (2) Sliders, (Fig 7). Do not fully tighten hardware at this time.

Note: The Sliders are packed with the Mounting Brackets.

Level and adjust the Step Bar and fully tighten all hardware.

Repeat **Steps 1-5** for the other side Step Bar installation. **The installation is completed!!!**

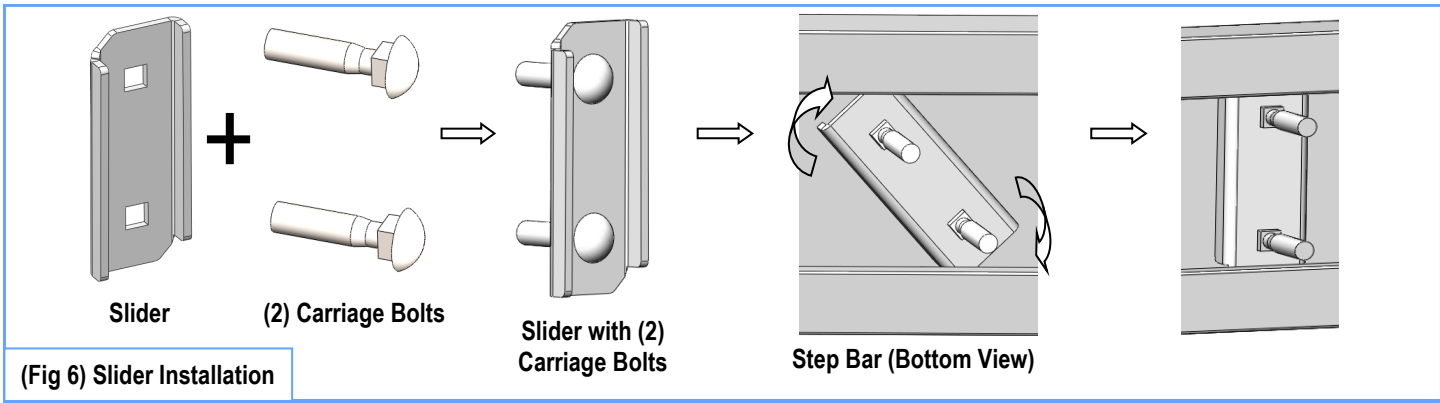
Attention

Do periodic inspections to the installation to make sure that all hardware is secure and tight.

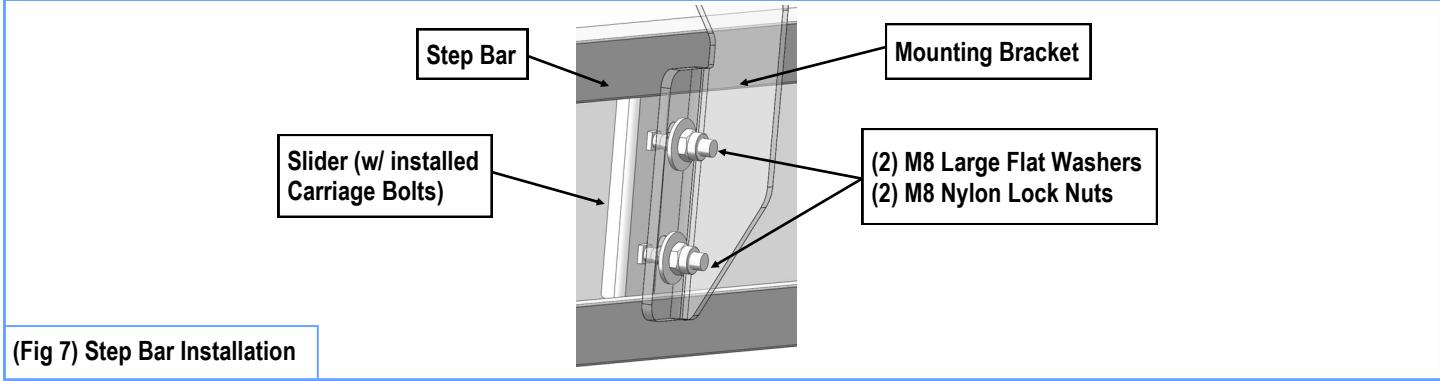
In order to protect your bars/boards, please use mild soap/non-abrasive products for cleaning only.



Scan for Installation Video



(Fig 6) Slider Installation



(Fig 7) Step Bar Installation