



iBoard® by APS

PART#: IB-P107Y&H

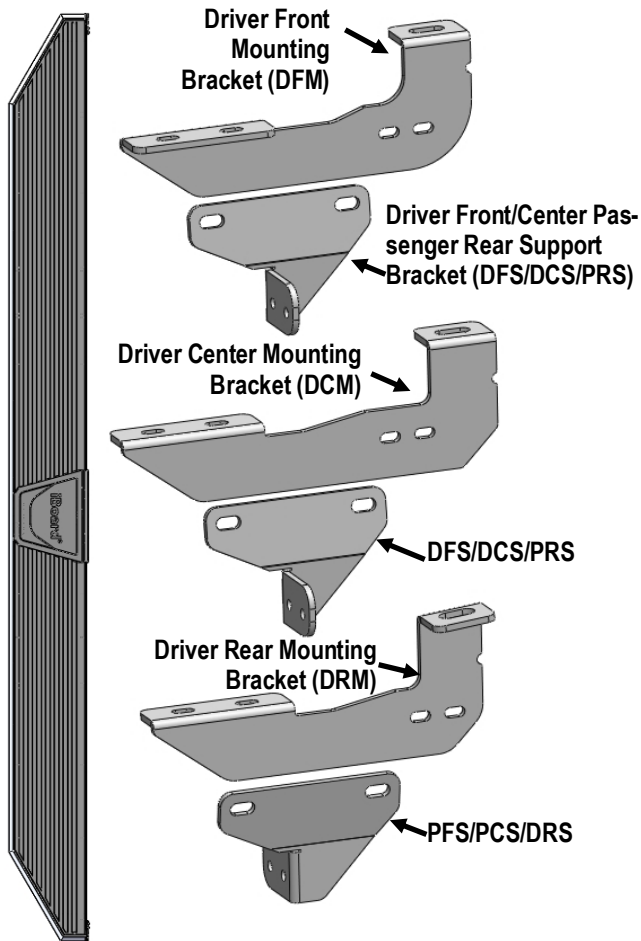
READ INSTRUCTIONS CAREFULLY BEFORE STARTING INSTALLATION. REMOVE CONTENTS FROM BOX AND VERIFY ALL PARTS ARE PRESENT. ASSISTANCE IS RECOMMENDED.

*ROCKER PANEL MOUNT
*NO DRILLING REQUIRED

Fastener Size	Tightening Torque (ft-lbs)	Required
6mm	6-7	✓
8mm	16-18	✓
10mm	31-32	X
12mm	56-58	X
14mm	92-94	X

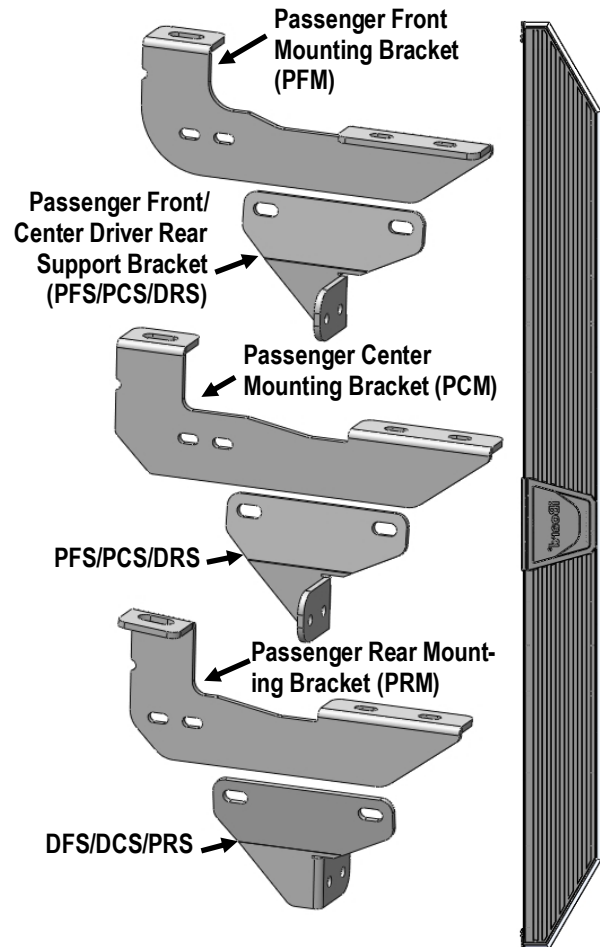
PART LIST

Driver Side Step Bar



Front

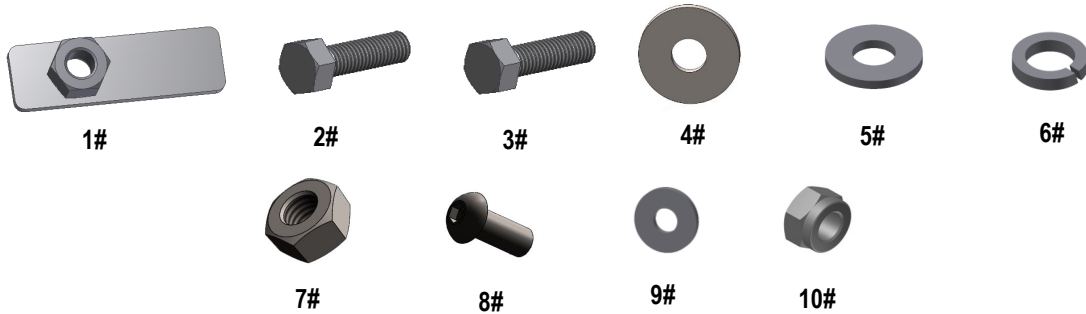
Passenger Side Step Bar





Hardware Package A (For Bracket Installation)

Item	QTY	Description	Item	QTY	Description
1#	6	M8 Nut Plates	6#	18	M8 Lock Washers
2#	6	M8X1.25-35mm Hex Bolts	7#	12	M8X1.25 Hex Nuts
3#	12	M8X1.25-25mm Hex Bolts	8#	12	M6X1-25mm Hex Bolts
4#	6	M8 Large Flat Washers	9#	24	M6 Large Flat Washers
5#	24	M8 Flat Washers	10#	12	M6X1 Nylon Lock Nuts



Hardware Package B (For Step Bar Installation)

Item	QTY	Description	Item	QTY	Description
1#	12	M8X1.25-35mm Carriage Bolts	3#	12	M8 Nylon Lock Nuts
2#	12	M8 Large Flat Washers	4#	6	Sliders (Packed with Mounting Brackets)





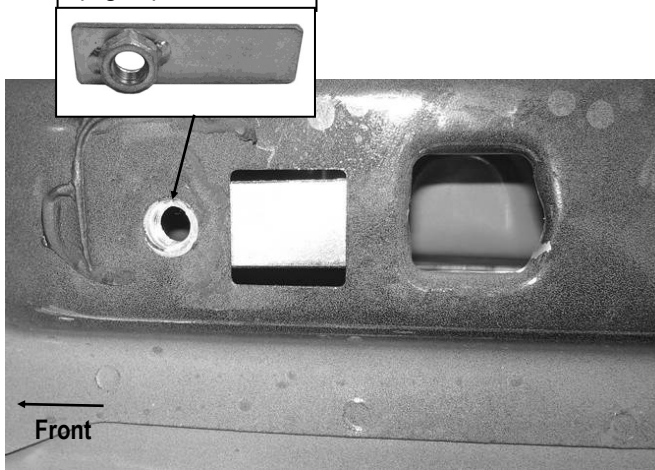
STEP 1

Starting on the Driver side front of the vehicle. Determine if the vehicle with open mounting locations or factory threaded holes in the floor panel.

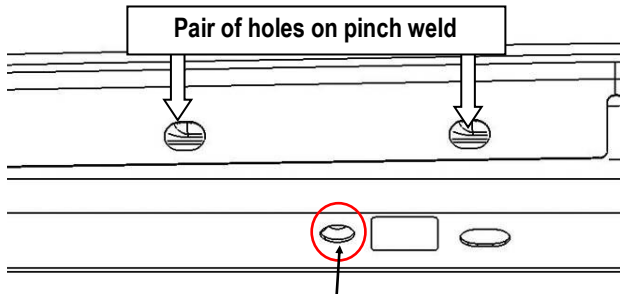
A. Vehicles with open mounting location:

- Insert (1) M8 Nut Plate into the large square opening in the floor panel. Line up the threaded nut with the hole in between the pair of holes on the pinch weld, (Fig 1A, 1B & 2).
- Move along to the center / rear mounting location, (Fig 3). Repeat **Step 1a** to insert the M8 Nut Plate into the center & rear opening on the floor panel.

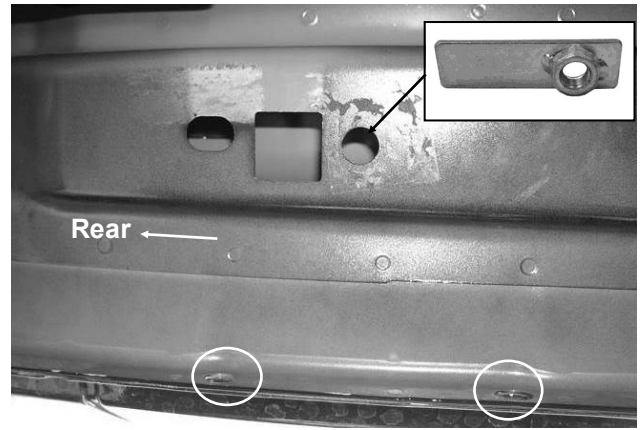
(Fig 1B) M8 Nut Plate



(Fig 1A) Driver Side Front Mounting Location
(Vehicles with open mounting location)



(Fig 2) Line up Nut Plate with hole in between the (2) holes on the pinch weld

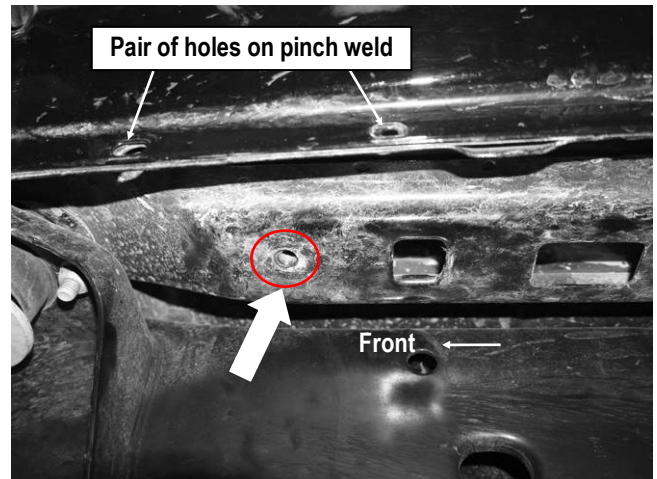


(Fig 3) Driver Side Center / Rear Mounting Location
(Vehicles with open mounting location)

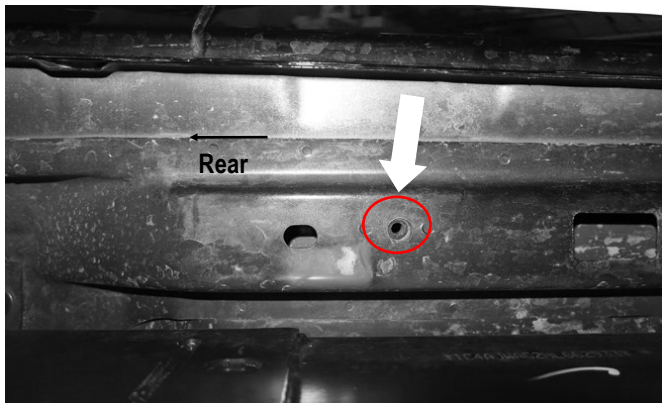
STEP 2

B. Vehicles with factory threaded hole in floor panel:

Locate the front, center and rear mounting locations, (Fig 4 & 5). Continue to **Step 3**.



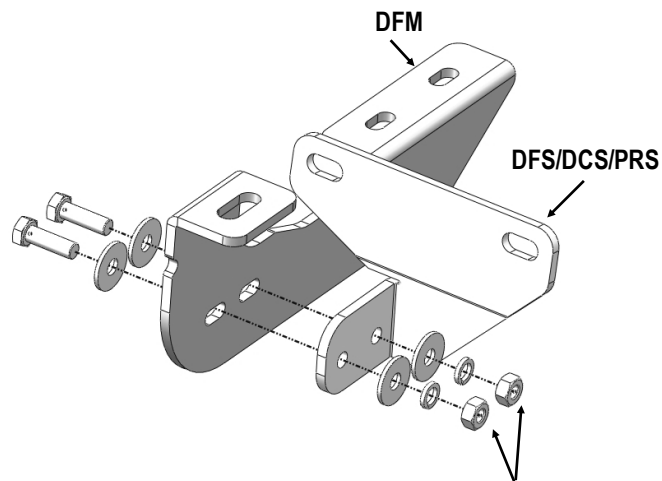
(Fig 4) Driver Side Front Mounting Location
(Vehicles with factory threaded hole in floor panel)



(Fig 5) Driver Side Center & Rear Mounting Location
(Vehicles with factory threaded hole in floor panel)

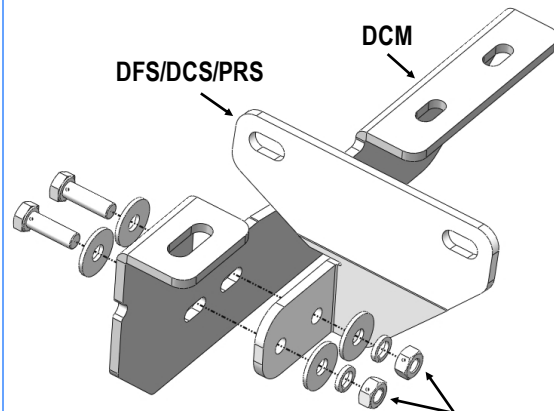
STEP 3

Assemble (3) Driver Side Mounting Brackets and Driver Side Support Brackets (Fig 6-8). Do not fully tighten hardware at this time.



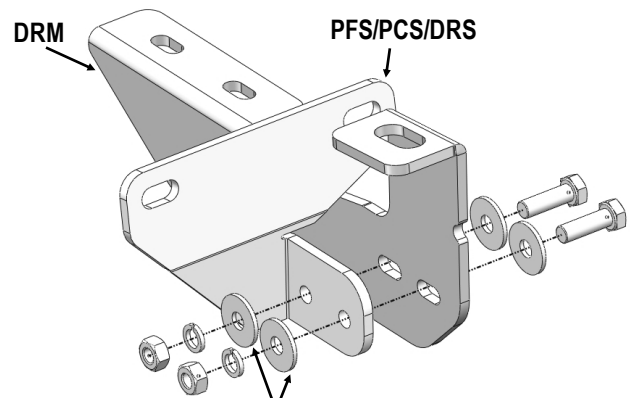
- (2) M8X1.25-25mm Hex Bolts
- (4) M8 Flat Washers
- (2) M8 Lock Washers
- (2) M8X1.25 Hex Nuts

(Fig 6) Driver Front Mounting Bracket Assembly



- (2) M8X1.25-25mm Hex Bolts
- (4) M8 Flat Washers
- (2) M8 Lock Washers
- (2) M8X1.25 Hex Nuts

(Fig 7) Driver Center Mounting Bracket Assembly

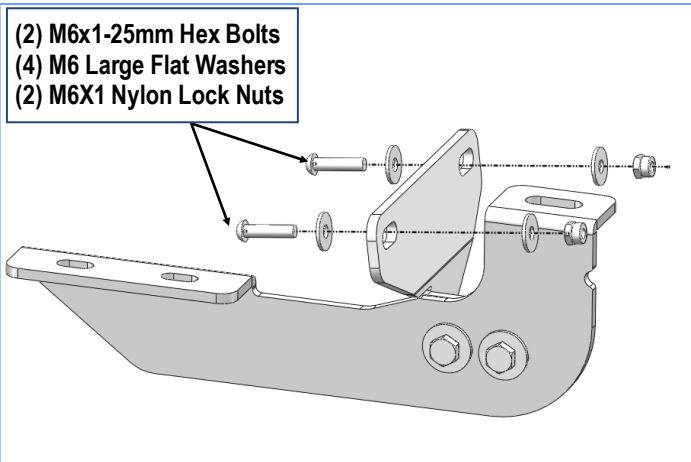


- (2) M8X1.25-25mm Hex Bolts
- (4) M8 Flat Washers
- (2) M8 Lock Washers
- (2) M8X1.25 Hex Nuts

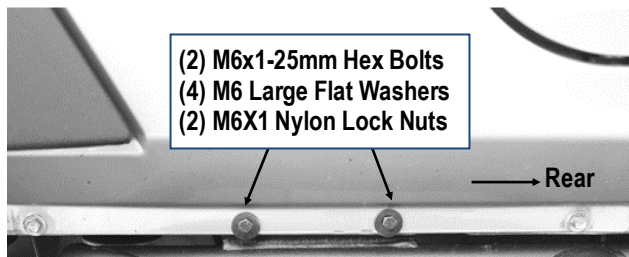
(Fig 8) Driver Rear Mounting Bracket Assembly

STEP 4

On Driver Side Front Mounting Location. Attach (1) Driver Support Bracket (DFS/DCS/DRS) on the **back** of the pinch weld. Secure to the (2) pairs of holes on the pinch weld with (2) M6X1-25mm Hex Bolts, (4) M6 Large Flat Washers and (2) M6X1 Nylon Lock Nuts (Fig 9 & 10). Don't fully tighten hardware at this time.



(Fig 9) Driver Front Support Bracket Installation



(Fig 10) Driver Front Support Bracket Installed

STEP 5

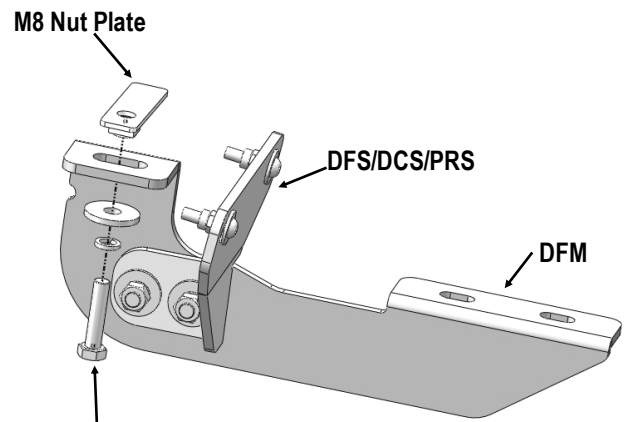
Vehicles with open mounting location:

Bolt the Driver Front Mounting Bracket to the M10 Nut Plate with (1) M8X1.25-35mm Hex Bolt, (1) M8 Lock Washer and (1) M8 Large Flat Washer, (Fig 11). Do not fully tighten hardware at this time.

STEP 6

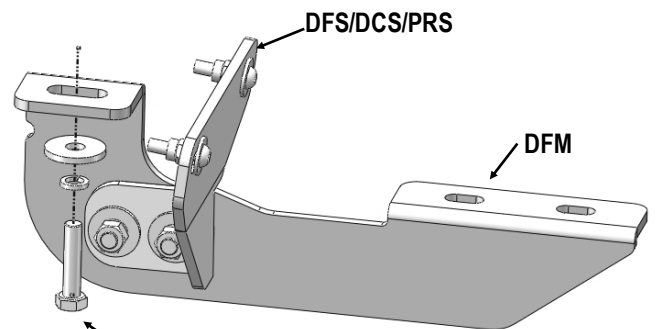
Vehicles with factory threaded hole in floor panel:

Bolt the Mounting Bracket to the threaded hole in the floor panel with (1) M8X1.25-35mm Hex Bolt, (1) M8 Large Flat Washer, (1) M8 Lock Washer (Fig 12). Do not fully tighten hardware at this time.



- (1) M8X1.25-35mm Hex Bolt
- (1) M8 Large Flat Washer
- (1) M8 Lock Washer

(Fig 11) Driver Front Mounting Bracket Installation
(Vehicles with open mounting location)



- (1) M8X1.25-35mm Hex Bolt
- (1) M8 Large Flat Washer
- (1) M8 Lock Washer

(Fig 12) Driver Front Mounting Bracket Installation
(Vehicles with factory threaded hole in floor panel)



STEP 7

Repeat **Steps 4-6** to install the Assembled Driver Center & Rear Mounting Brackets. Do not fully tighten hardware at this time.

STEP 8

Once all (3) Driver side mounting brackets are installed, then proceed to the Step Bar installation. (**Figs 13 & 14**)

- (1) Select (1) Slider and (2) M8X1.25-35mm Carriage Bolts;
- (2) Install (2) M8X1.25-35mm Carriage Bolts in (1) Slider.
- (3) Slide the Slider (with carriage bolts) to the **Step Bar**.
- (4) Repeat to install the other (2) sliders to the step bar.
- (5) Attach the Step Bar (with the Sliders) onto the installed mounting brackets. Position the Sliders to the installed brack-

ets. Secure the Step Bar to the installed Brackets by using (6) M8 Large Flat Washers and (6) M8 Nylon Lock Nuts and (3) Sliders, (**Fig 14**). Do not fully tighten hardware at this time.

Note: The Sliders are packed with the Mounting Brackets.

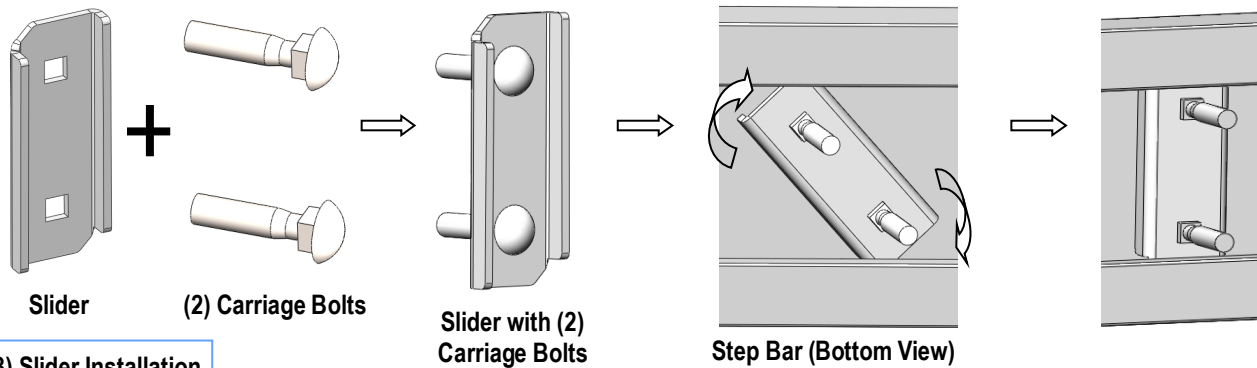
Level and adjust the Step Bar and fully tighten all hardware.

Repeat **Steps 1-8** for the other side Step Bar installation. **The installation is completed!!!**

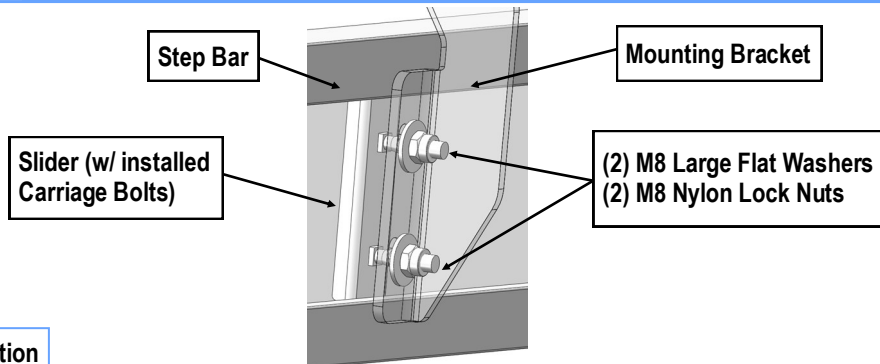
Attention

Do periodic inspections to the installation to make sure that all hardware is secure and tight.

In order to protect your bars/boards, please use mild soap/non-abrasive products for cleaning only.



(Fig 13) Slider Installation



(Fig 14) Step Bar Installation