



**PART#: IB-P106Y&H**

**iBoard® Series**

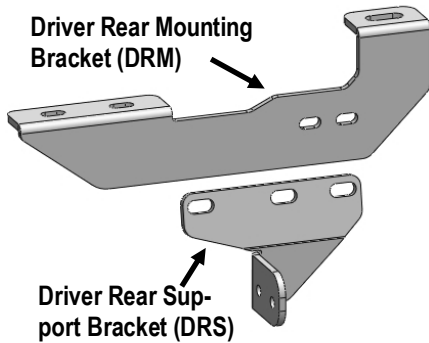
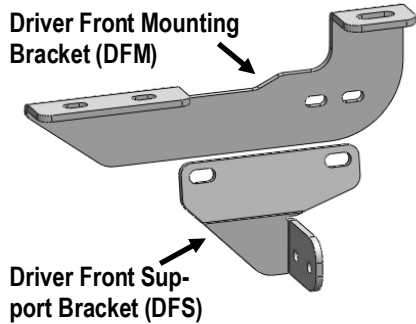
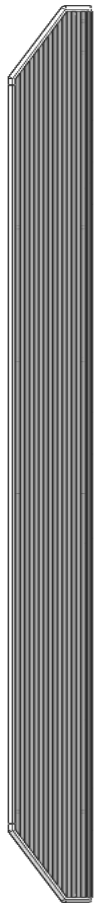
READ INSTRUCTIONS CAREFULLY BEFORE STARTING INSTALLATION. REMOVE CONTENTS FROM BOX AND VERIFY ALL PARTS ARE PRESENT. ASSISTANCE IS RECOMMENDED.

\*ROCKER PANEL MOUNT  
\*NO DRILLING REQUIRED

Fastener Size	Tightening Torque (ft-lbs)	Required
6mm	6-7	√
8mm	16-18	√
10mm	31-32	X
12mm	56-58	X
14mm	92-94	X

**PART LIST**

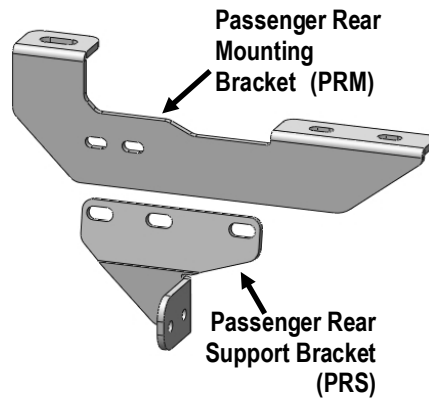
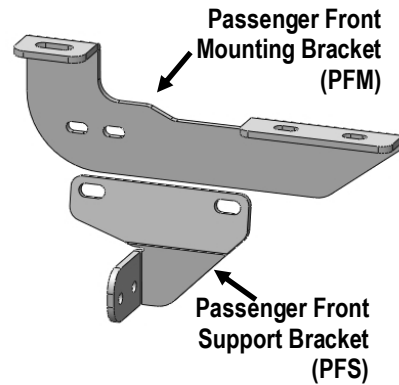
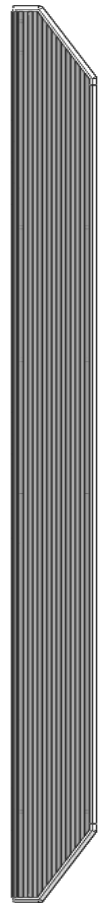
**Driver Side Step Bar**



**Front**




**Passenger Side Step Bar**

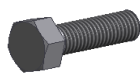


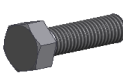



Scan for  
Installation Video


Hardware Package A (For Bracket Installation)					
Item	QTY	Description	Item	QTY	Description
1#	4	M8 Nut Plates	7#	8	M8X1.25 Hex Nuts
2#	4	M8X1.25-35mm Hex Bolts	8#	8	M6X1-25mm Inner Hex Bolts
3#	8	M8X1.25-25mm Hex Bolts	9#	8	M6 Large Flat Washers
4#	4	M8 Large Flat Washers	10#	8	M6 Flat Washers
5#	16	M8 Flat Washers	11#	8	M6X1 Nylon Lock Nuts
6#	12	M8 Lock Washers			


  
1#

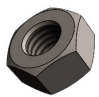
  
2#


  
3#


  
4#


  
5#


  
6#

  
7#

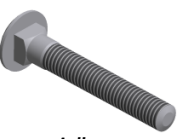
  
8#


  
9#


  
10#


  
11#

Hardware Package B (For Step Bar Installation)					
Item	QTY	Description	Item	QTY	Description
1#	8	M8X1.25-35mm Carriage Bolts	3#	8	M8 Nylon Lock Nuts
2#	8	M8 Large Flat Washers	4#	4	Sliders (Packed with Mounting Brackets)

  
1 #

  
2 #

  
3 #

  
4 #

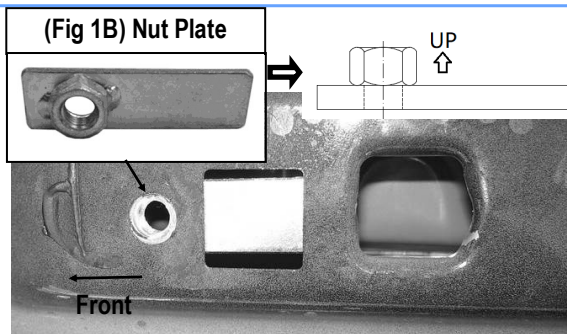


## STEP 1

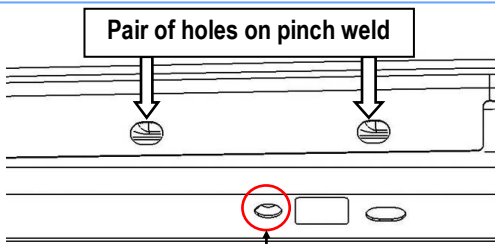
Start from the Driver side front of the vehicle. Determine if the vehicle with open mounting locations or factory threaded holes in the floor panel.

### A. Vehicles with open mounting location:

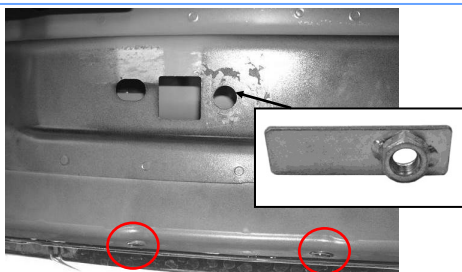
- a. Insert (1) M8 Nut Plate into the large square opening in the floor panel. Line up the threaded nut with the hole in between the pair of holes on the pinch weld, (Fig 1A, 1B & 2).
- b. Move along to the rear mounting location, (Fig 3). Repeat **Step 1a** to insert the M8 Nut Plate into the rear opening on the floor panel.



(Fig 1A) Driver Side Front Mounting Location  
(Vehicles with open mounting location)



(Fig 2) Line up Nut Plate with hole in between the (2) holes on the pinch weld

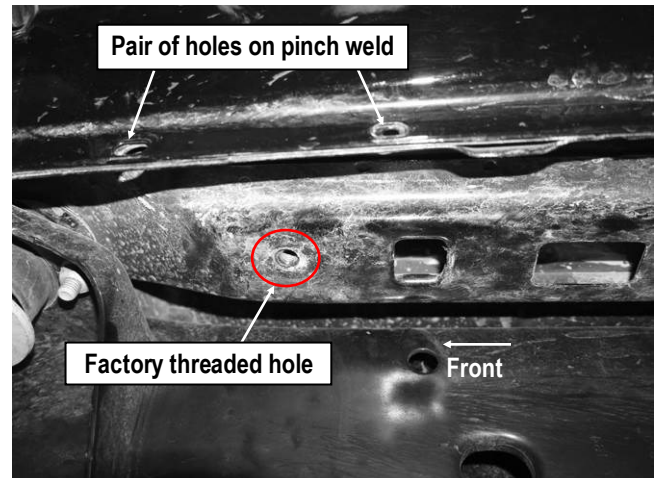


(Fig 3) Driver Side Rear Mounting Location  
(Vehicles with open mounting location)

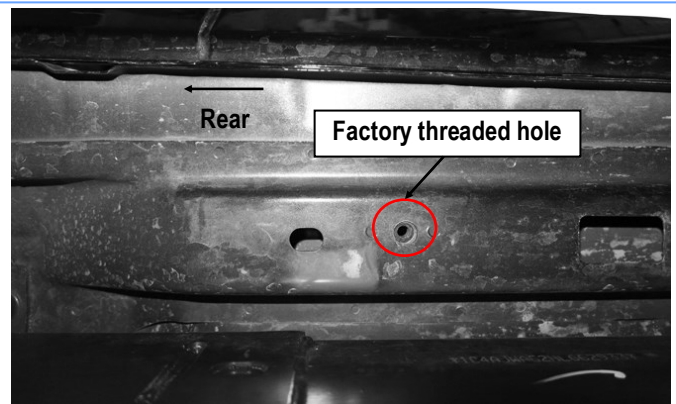
## STEP 2

### B. Vehicles with factory threaded hole in floor panel:

Locate the front and rear mounting locations, (Figs 4&5). Continue to **Step 3**.



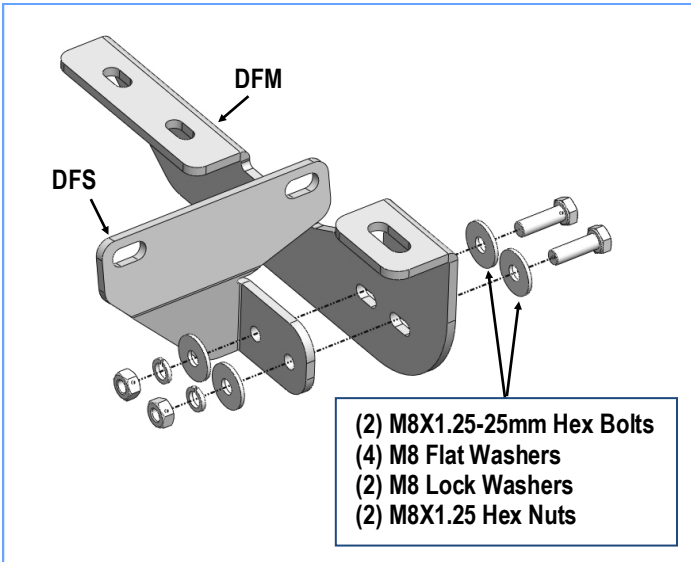
(Fig 4) Driver Side Front Mounting Location  
(Vehicles with factory threaded hole in floor panel)



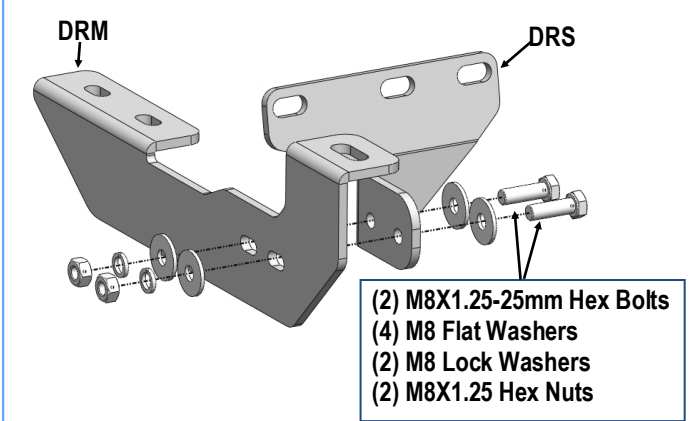
(Fig 5) Driver Side Rear Mounting Location  
(Vehicles with factory threaded hole in floor panel)

## STEP 3

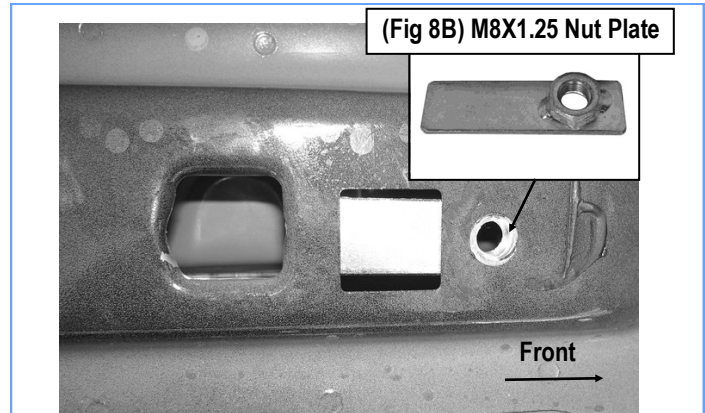
Assemble (2) Driver Side Mounting Brackets and (2) Driver Side Support Brackets (Figs 6-7). Do not fully tighten hardware at this time.



(Fig 6) Driver Front Mounting Bracket Assembly



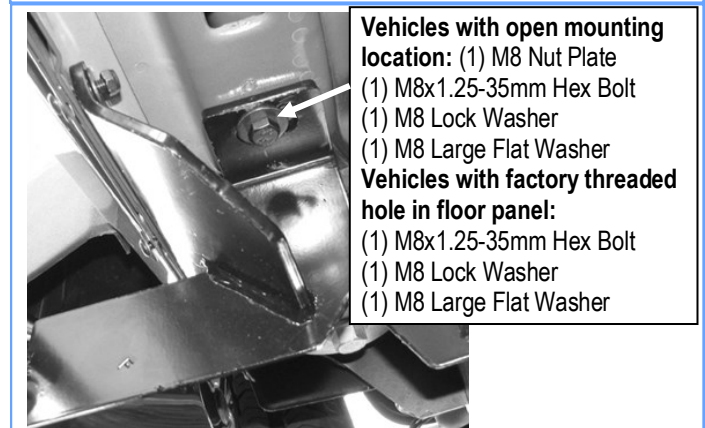
(Fig 7) Driver Rear Mounting Bracket Assembly



(Fig 8A) Driver Side Front Mounting Location  
(Vehicles with open mounting location)

**Vehicles with factory threaded hole in floor panel:**

Bolt the tab on the Mounting Bracket to the threaded hole in the floor panel with (1) M8X1.25-35mm Hex Bolt, (1) M8 Lock Washer and (1) M8 Large Flat Washer, (Fig 9). Do not fully tighten hardware at this time.



(Fig 9) Driver Front Mounting Bracket Installed (Example)

**Vehicles with open mounting location:** (1) M8 Nut Plate  
(1) M8x1.25-35mm Hex Bolt  
(1) M8 Lock Washer  
(1) M8 Large Flat Washer  
**Vehicles with factory threaded hole in floor panel:**  
(1) M8x1.25-35mm Hex Bolt  
(1) M8 Lock Washer  
(1) M8 Large Flat Washer

## STEP 4

Select the assembled Driver Front Mounting Brackets.

**Vehicles open mounting location:**

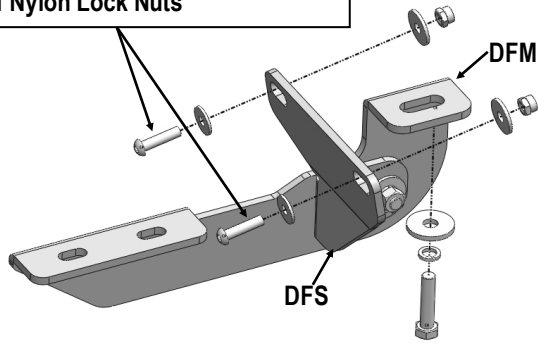
Insert (1) M8 Nut Plate into the large square opening in the floor panel. Line up the threaded nut with the small hole in line with the tab on the Bracket, (Figs 8A & 8B). Bolt the Mounting Bracket to the Nut Plate with (1) M8X1.25-35mm Hex Bolt, (1) M8 Lock Washer and (1) M8 Large Flat Washer. Do not fully tighten hardware at this time, (Fig 9).

## STEP 5

Line up the Support Bracket with the (2) factory holes on the pinch weld. Bolt the Support Bracket to the back of the pinch weld using (2) M6X1-25mm Inner Hex Bolts, (2) M6 Flat Washers, (against pinch weld), (2) M6 Large Flat Washers, (inside against the bracket) and (2) M6X1 Nylon Lock Nuts, (Fig 10). Do not fully tighten hardware at this time.



- (2) M6X1-25mm Inner Hex Bolts
- (2) M6 Flat Washers (against pinch weld)
- (2) M6 Large Flat Washers (inside against the bracket)
- (2) M6X1 Nylon Lock Nuts



(Fig 10) Driver Front Support Bracket Installation

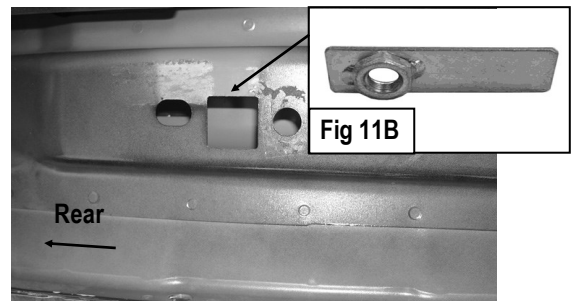
## STEP 6

Move to the Driver Side Rear Mounting Location, (Fig 11A). Repeat **Step 5** to assemble Driver Rear Mounting Brackets, (Figs 12&13).

**NOTE:** Determine correct Rear Support Bracket installation procedure according to the model/year of the vehicle:

**A. 2007 Model:** Line up the center hole on the Support Bracket to the pinch weld, secure by using (1) M6X1-25mm Inner Hex Bolt, (1) M6 Flat Washer (outside), (1) M6 Large Flat Washer, (inside against bracket), and (1) M6X1 Nylon Lock Nut to attach rear bracket to the back of the pinch weld, (Fig 12).

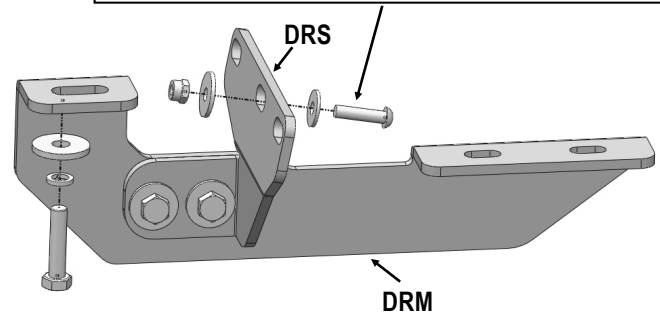
**B. 2008-UP Models:** Attach the Support Bracket to the back of pinch weld by using (2) M6X1-25mm Inner Hex Bolts, (2) M6 Flat Washers (outside), (2) M6 Large Flat Washers (inside against the bracket) and (2) M6X1 Nylon Lock Nuts, (Fig 13). Do not fully tighten hardware at this time.



(Fig 11A) Driver Side Rear Mounting Location  
(Vehicles with open mounting location)

2007 model:

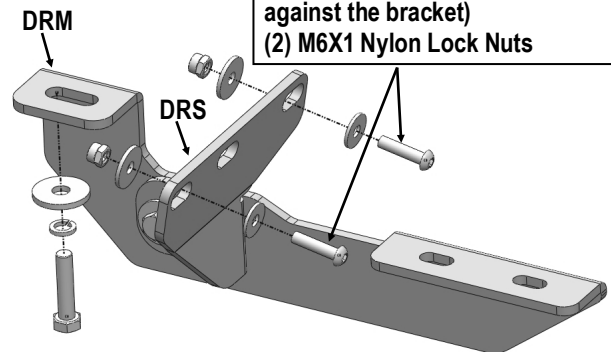
- (1) M6X1-25mm Inner Hex Bolt
- (1) M6 Flat Washers (outside)
- (1) M6 Large Flat Washer (inside against the bracket)
- (1) M6X1 Nylon Lock Nut



(Fig 12) Driver Rear Support Bracket Installation  
(For 2007 Model Only)

2008-UP Models:

- (2) M6X1-25mm Inner Hex Bolts
- (2) M6 Flat Washers (outside)
- (2) M6 Large Flat Washers (inside against the bracket)
- (2) M6X1 Nylon Lock Nuts



(Fig 13) Driver Rear Support Bracket Installation  
(For 08-UP Models)



## STEP 7

Once all (2) Driver side mounting brackets are installed, then proceed to the Step Bar installation. **(Figs 14 & 15)**

- (1) Select (1) Slider and (2) M8X1.25-35mm Carriage Bolts;
- (2) Install (2) M8X1.25-35mm Carriage Bolts in (1) Slider.
- (3) Slide the Slider (with carriage bolts) to the **Step Bar**.
- (4) Repeat to install the other (1) slider to the step bar.
- (5) Attach the Step Bar (with the Sliders) onto the installed mounting brackets. Position the Sliders to the installed brackets. Secure the Step Bar to the installed Brackets by using (4) M8 Large Flat Washers and (4) M8 Nylon Lock Nuts and (2) Sliders, **(Fig 15)**. Do not fully tighten hardware at this time.

**Note:** The Sliders are packed with the Mounting Brackets.

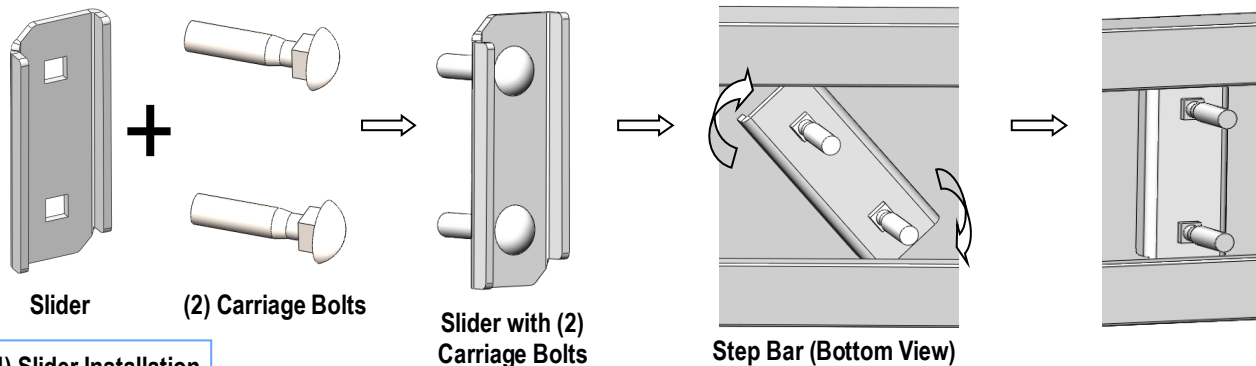
Level and adjust the Step Bar and fully tighten all hardware.

Repeat **Steps 1-7** for the other side Step Bar installation. **The installation is completed!!!**

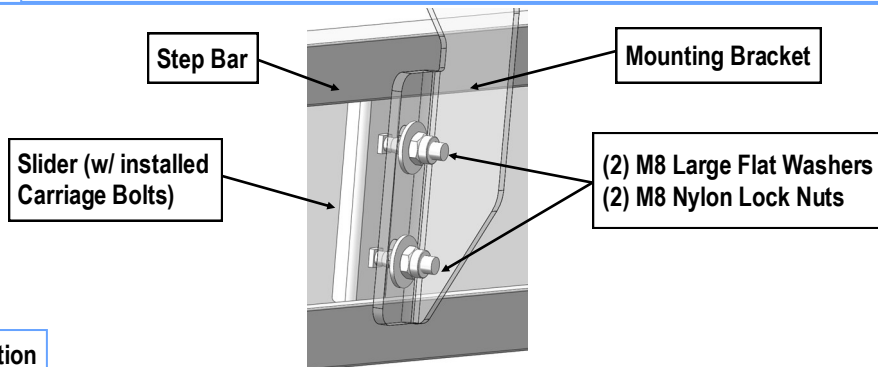
### Attention

**Do periodic inspections to the installation to make sure that all hardware is secure and tight.**

**In order to protect your bars/boards, please use mild soap/non-abrasive products for cleaning only.**



**(Fig 14) Slider Installation**



**(Fig 15) Step Bar Installation**