

iBoard®



Scan for
Installation Video

iBoard® by APS

PART#: IB-P111Y&H

READ INSTRUCTIONS CAREFULLY BEFORE STARTING INSTALLATION. REMOVE CONTENTS FROM BOX AND VERIFY ALL PARTS ARE PRESENT. ASSISTANCE IS RECOMMENDED.

*ROCKER PANEL MOUNT
*NO DRILLING REQUIRED

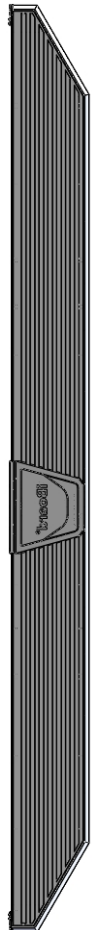
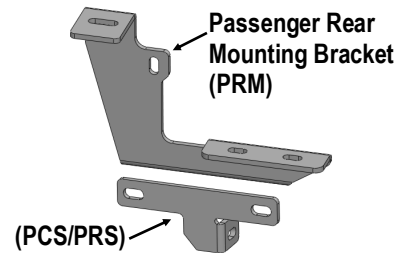
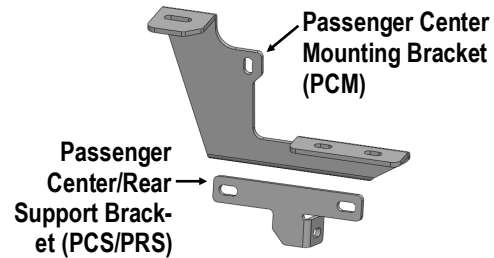
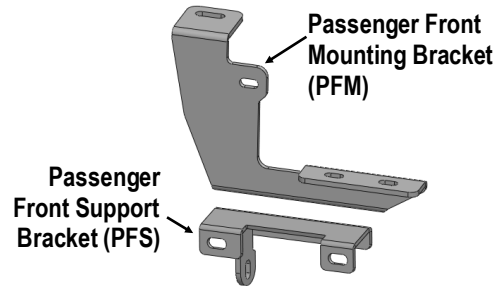
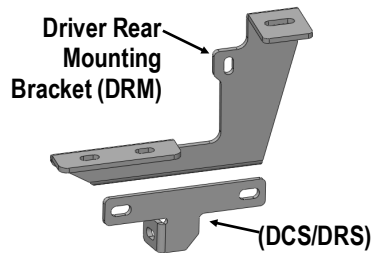
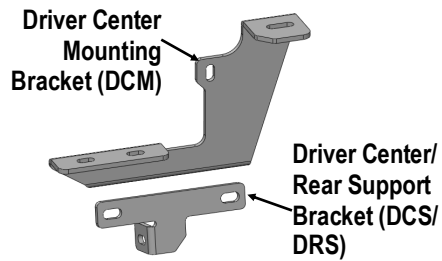
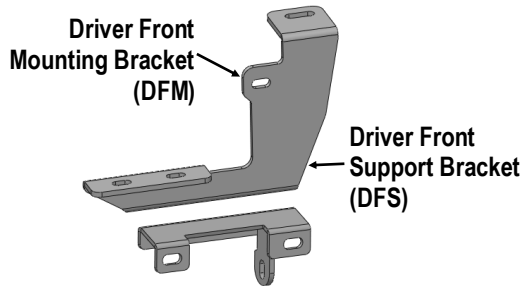
Fastener Size	Tightening Torque (ft-lbs)	Required
6mm	6-7	√
8mm	16-18	√
10mm	31-32	X
12mm	56-58	X
14mm	92-94	X

PART LIST

Driver Side Step Bar

Front
↑

Passenger Side Step Bar

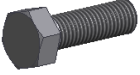
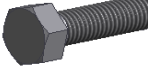



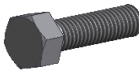




Customer Support: info@iboardauto.com

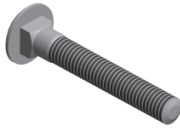

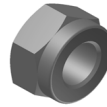



Scan for
Installation Video

Hardware Package A (For Bracket Installation)					
Item	QTY	Description	Item	QTY	Description
1#	6	M8X1.25-35mm Hex Bolts	5#	6	M8 Hex Nuts
2#	6	M8X1.25-25mm Hex Bolts	6#	12	M6X1-25mm Hex Bolts
3#	18	M8 Large Flat Washers	7#	24	M6 Large Flat Washers
4#	12	M8 Lock Washers	8#	12	M6 Nylon Lock Nuts

							
1 #	2 #	3 #	4 #	5 #	6 #	7 #	8 #

Hardware Package B (For Step Bar Installation)					
Item	QTY	Description	Item	QTY	Description
1#	12	M8X1.25-35mm Carriage Bolts	3#	12	M8 Nylon Lock Nuts
2#	12	M8 Large Flat Washers	4#	6	Sliders (Packed with Mounting Brackets)

			
1 #	2 #	3 #	4 #



STEP 1

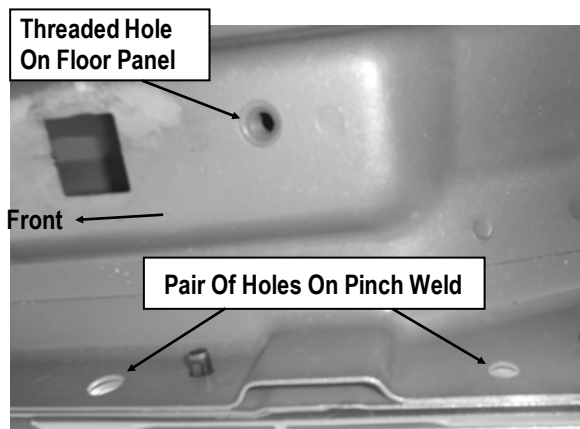
Locate the (3) pairs of factory mounting holes along the pinch weld, (**Fig 1**) on the passenger side of the vehicle.



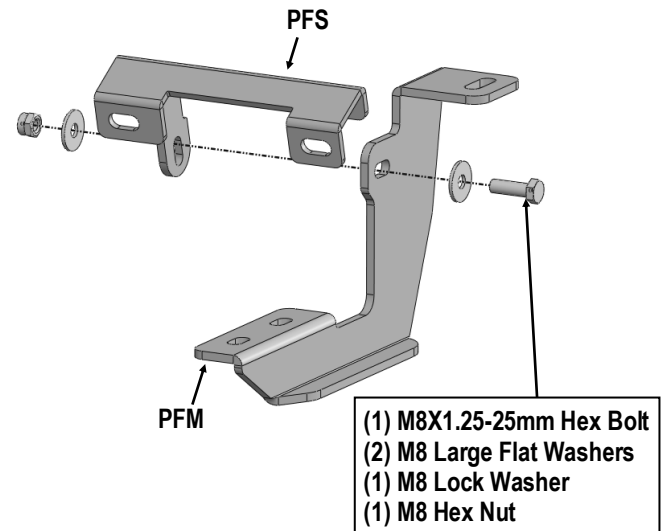
(Fig 1) Passenger Side Front Mounting Location

STEP 2

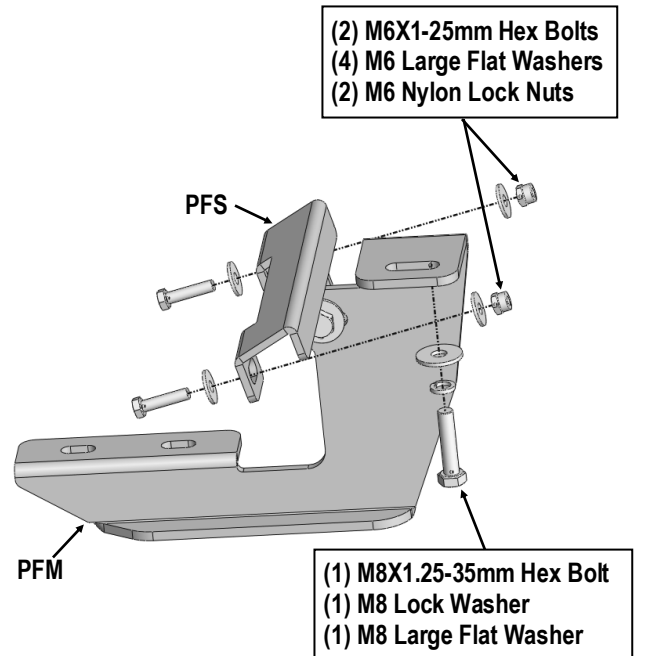
Start installation from the passenger side front of the vehicle (**Fig 2**). Assemble Passenger Front Mounting Bracket and Passenger Front Support Bracket with (1) M8X1.25-25mm Hex Bolt, (2) M8 Large Flat Washers, (1) M8 Lock Washer and (1) M8 Hex Nut (**Fig 3**). And then install the Passenger Front Brackets to the rocker panel as shown (**Figs 4-5**). Don't fully tighten the hardware at this time.



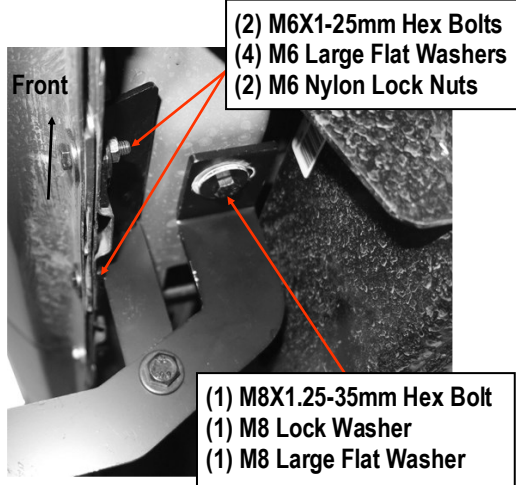
(Fig 2) Passenger Side Front Mounting Location



(Fig 3) Passenger Front Brackets Assembly



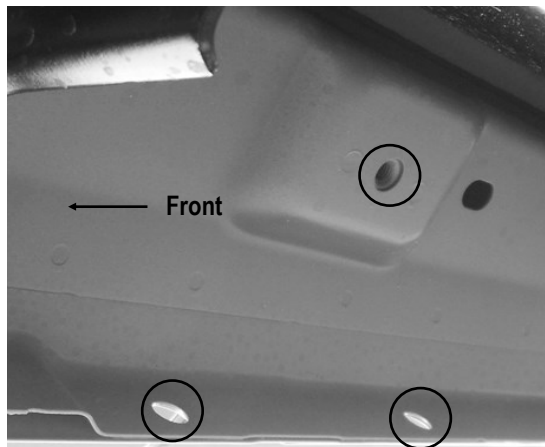
(Fig 4) Passenger Side Front Brackets Installation



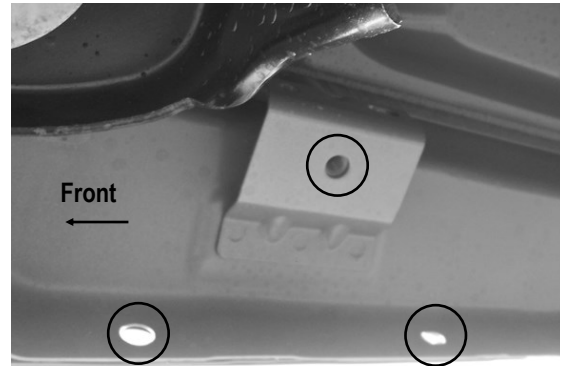
(Fig 5) Passenger Side Front Brackets Installed

STEP 3

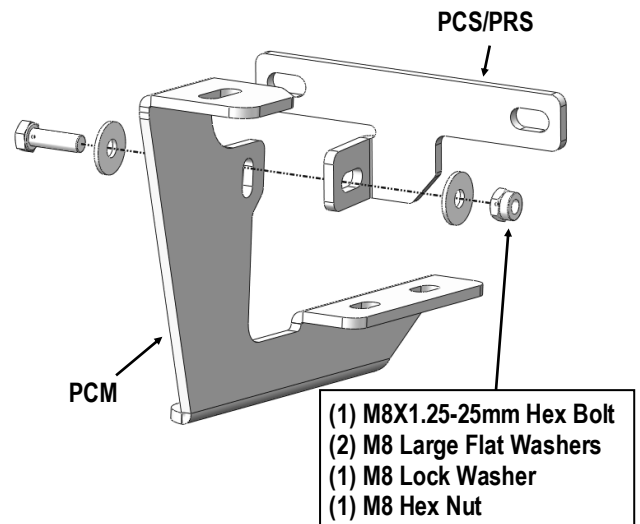
Move to Passenger Side Center & Rear Mounting Locations, (Figs 6 & 7). Repeat **Step 2** to install Passenger Center and Rear Brackets (Figs 8-11). Don't fully tighten the hardware at this time.



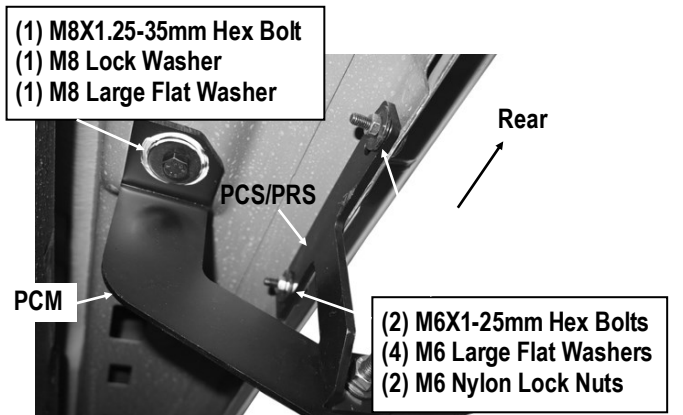
(Fig 6) Passenger Side Center Mounting Location



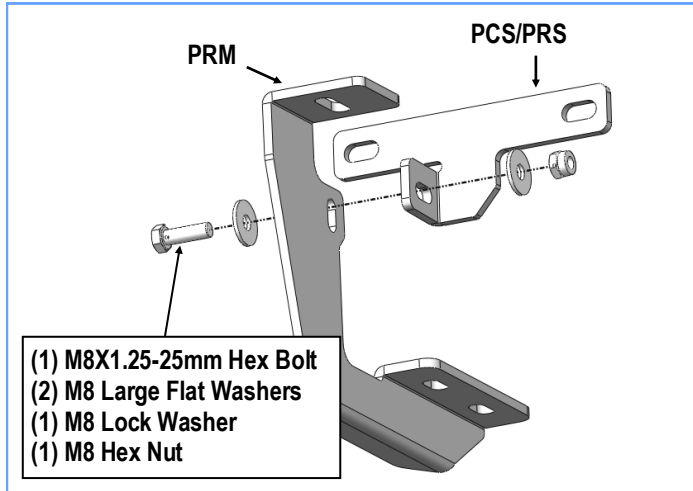
(Fig 7) Passenger Side Rear Mounting Location



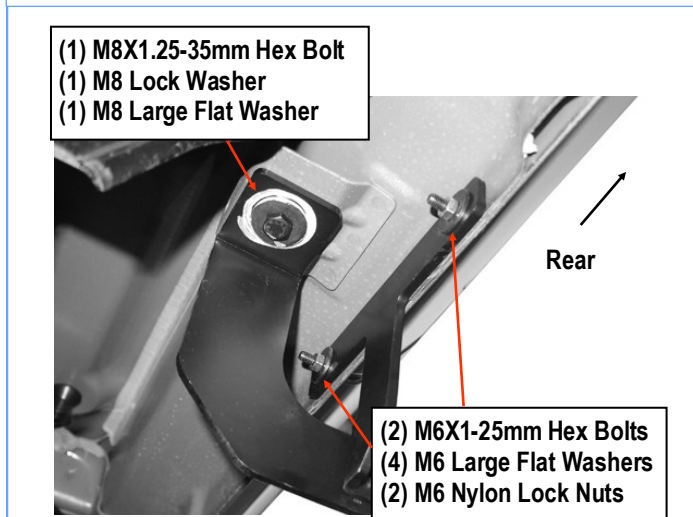
(Fig 8) Passenger Side Center Brackets Assembly



(Fig 9) Passenger Side Center Brackets Installed



(Fig 10) Passenger Side Rear Brackets Assembly



(Fig 11) Passenger Side Rear Brackets Installed

STEP 4

Once all (3) Passenger side mounting brackets are installed, then proceed to the Step Bar installation. (Figs 12 & 13)

(1) Select (1) Slider and (2) M8X1.25-35mm Carriage Bolts;

(2) Install (2) M8X1.25-35mm Carriage Bolts in (1) Slider.

(3) Slide the Slider (with carriage bolts) to the **Step Bar**.

(4) Repeat to install the other (2) sliders to the step bar.

(5) Attach the Step Bar (with the Sliders) onto the installed mounting brackets. Position the Sliders to the installed brackets. Secure the Step Bar to the installed Brackets by using (6) M8 Large Flat Washers and (6) M8 Nylon Lock Nuts and (3) Sliders, (Fig 13). Do not fully tighten hardware at this time.

Note: The Sliders are packed with the Mounting Brackets.

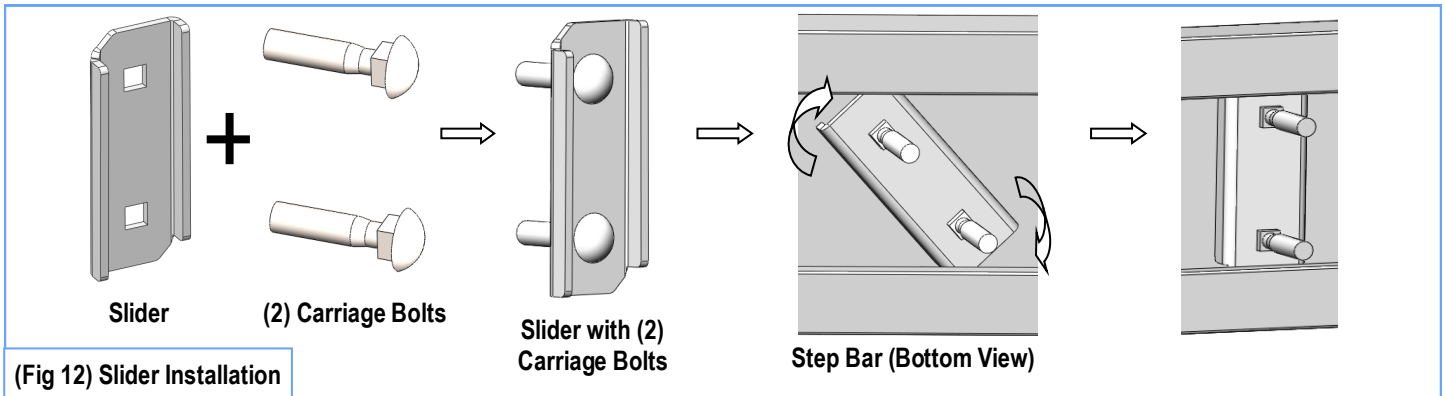
Level and adjust the Step Bar and fully tighten all hardware.

Repeat **Steps 1-4** for the other side Step Bar installation. **The installation is completed!!!**

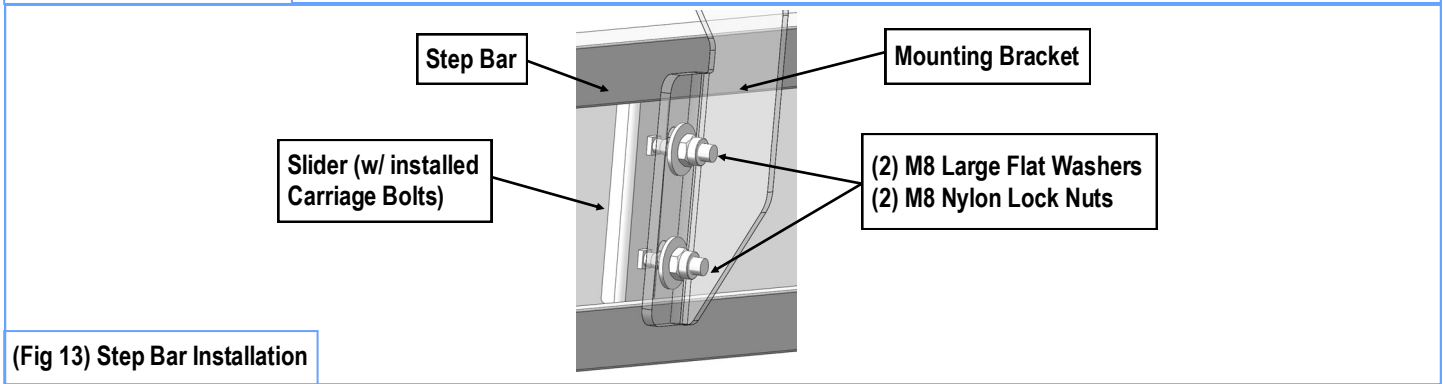
Attention

Do periodic inspections to the installation to make sure that all hardware is secure and tight.

In order to protect your bars/boards, please use mild soap/non-abrasive products for cleaning only.



(Fig 12) Slider Installation



(Fig 13) Step Bar Installation