

# iBoard®

## iBoard® by APS

PART#: IB-108A-B

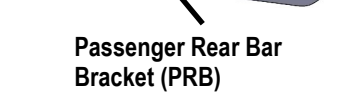
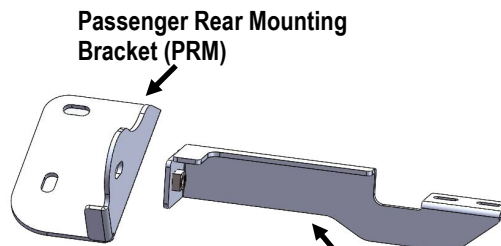
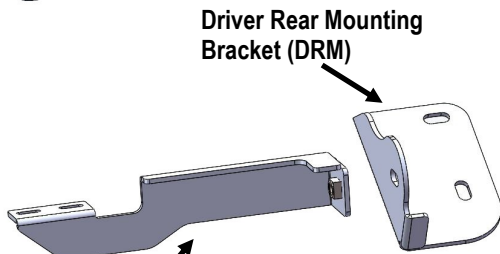
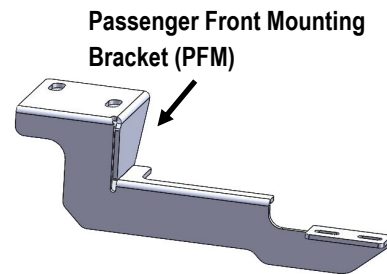
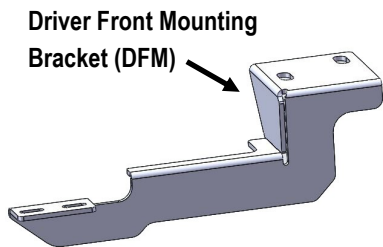
READ INSTRUCTIONS CAREFULLY BEFORE STARTING INSTALLATION. REMOVE CONTENTS FROM BOX AND VERIFY ALL PARTS ARE PRESENT. ASSISTANCE IS RECOMMENDED.

\*BODY FRAME MOUNT  
\*NO DRILLING REQUIRED

Fastener Size	Tightening Torque (ft-lbs)
6mm	6-7
8mm	16-18
10mm	31-32
12mm	56-58
14mm	92-94

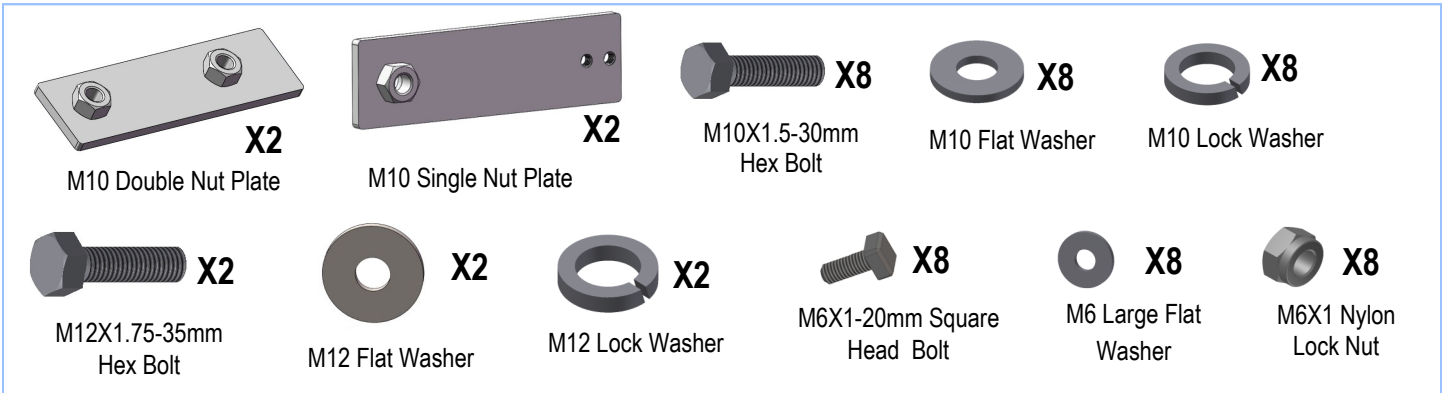
### PART LIST

Front  
↑



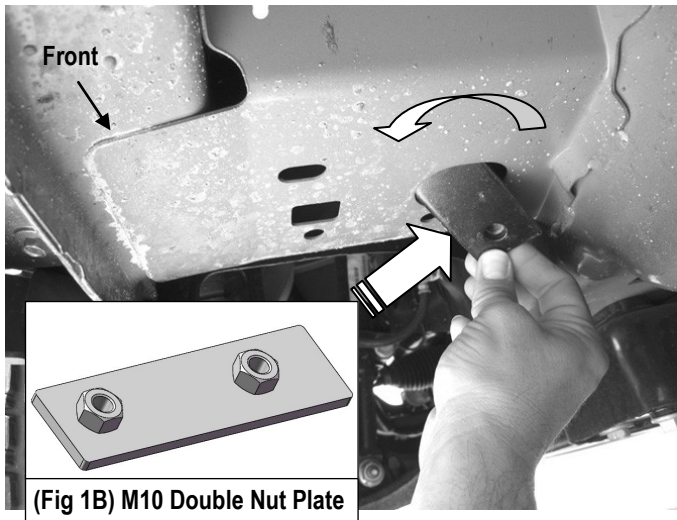
Customer Support: [info@iboardauto.com](mailto:info@iboardauto.com)

# iBoard®



## STEP 1

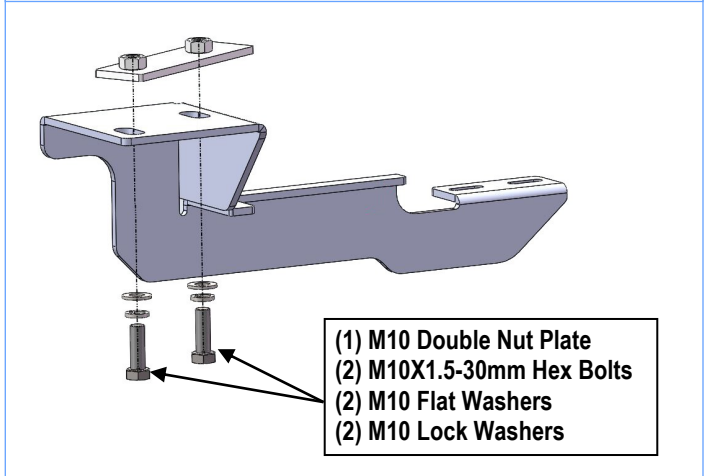
Start installation from the driver side front of the vehicle. Locate the Driver Front Mounting Bracket (DFM) location, (Fig 1A).  
 Select (1) M10 Double Nut Plate, (Fig 1B). Insert the M10 Double Nut Plate into the large round hole in the floor panel. Line up the (2) threaded nuts in the M10 Double Nut Plate with the large round hole and the oval hole in the floor panel.



(Fig 1A) Driver Front Mounting Bracket (DFM) Location

## STEP 2

Select the Driver Front Mounting Bracket (DFM). Attach the Bracket to the M10 Double Nut Plate with (2) M10X1.5-30mm Hex Bolts, (2) M10 Lock Washers and (2) M10 Flat Washers (Fig 2). Do not fully tighten hardware at this time.



(Fig 2) Driver Front Mounting Bracket (DFM) Installation

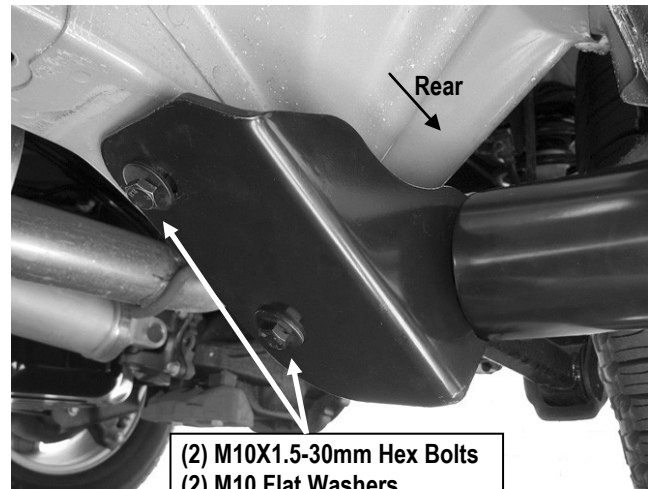
## STEP 3

Next, move to the driver side rear of the vehicle. Assemble (1) Driver Rear Mounting Bracket (DRM) and (1) Driver Rear Bar Bracket (DRB) with (1) M12X1.75-35mm Hex Bolt, (1) M12 Flat Washer and (1) M12 Lock Washer (Fig 3). Do not fully tighten hardware at this time.

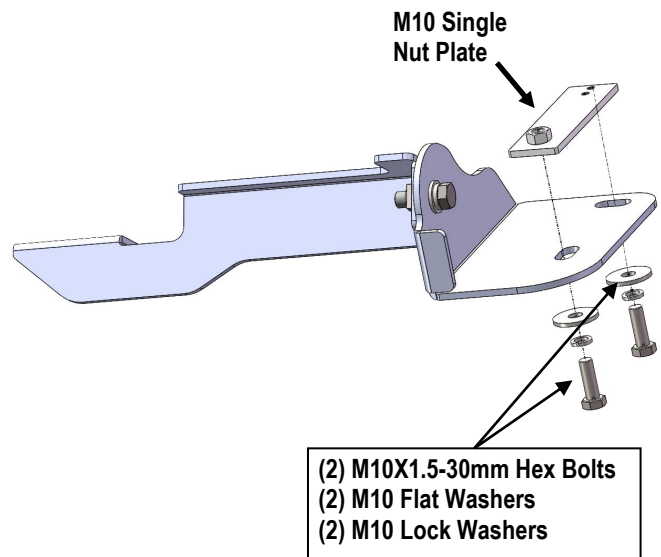
# iBoard®

## STEP 5

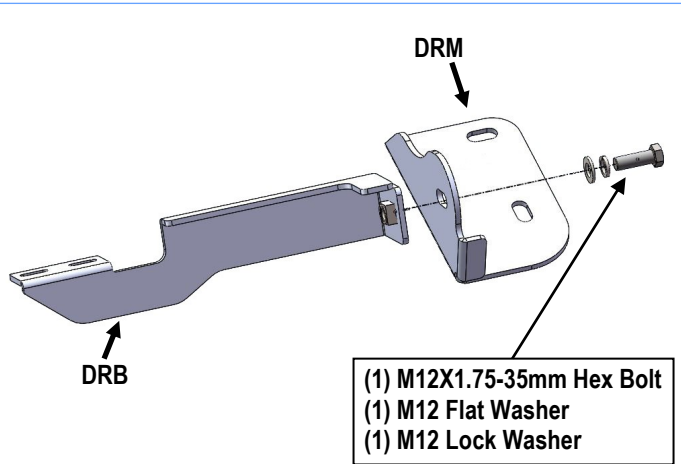
Next, attach Driver Rear Mounting Bracket (**DRM**) to M10 Single Nut Plate with (2) M10X1.5-30mm Hex Bolts, (2) M10 Lock Washers, and (2) M10 Flat Washers, (**Fig 5 & 6**). Do not fully tighten hardware at this time.



(Fig 5) Driver Front Mounting Bracket (DFM) Installation



(Fig 6) Driver Front Mounting Bracket (DFM) Installation

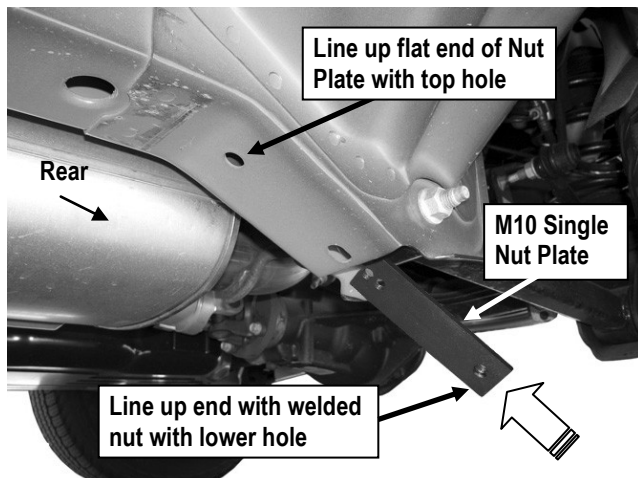


(Fig 3) Driver Side Rear Mounting Bracket Assembly

## STEP 4

Locate the factory mount for the rear trailing arm, (**Fig 4A**). Select (1) M10 Single Nut Plate, (**Fig 4B**). Insert the flat end of the M10 Single Nut Plate with the threaded holes, (No welded nut), up and into the underside of the trailing arm mount. Line up the threaded holes in the M10 Single Nut Plate with the (2) holes in the trailing arm mount.

**NOTE:** Make sure that the end on the Nut Plate with the welded nut is towards the bottom of the trailing arm mount.



(Fig 4B) Driver Rear Mounting Bracket Location

# iBoard®

## STEP 6

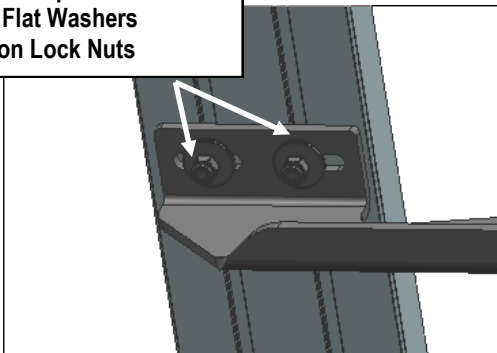
Select a Running Board. Slip (2) M6x1-20mm Square Head Bolts into each bottom channel (**Fig 7**). Carefully position the Running Board onto the (2) Mounting Brackets.

**IMPORTANT:** Do not slide the Running Board on the Brackets or the bottom surface of the board will be damaged. Attach the Running Board to Mounting Bracket with (4) M6x1-20mm Square Head Bolts, (4) M6 Large Flat Washers and (4) M6 X1 Nylon Lock Nuts (**Fig 8**). Do not fully tighten hardware at this time.



(Fig 7) Slip M6X1-20mm Square Head Bolts Into The Bottom Channels

(2) M6X1-20mm Square Head Bolts  
(2) M6 Large Flat Washers  
(2) M6X1 Nylon Lock Nuts



(Fig 8) Running Board Installed Onto the Mounting Bracket

## STEP 7

Level and adjust the Running Board as necessary and fully tighten all hardware.

## STEP 8

Repeat **Steps 1-7** for the passenger side Running Board installation. The installation is completed, (**Fig 9**).



(Fig 9) Installation Completed

### Attention

Do periodic inspections to the installation to make sure that all hardware is secure and tight.

In order to protect your bars/boards, please use only mild soap/non-abrasive products for cleaning.