

iBoard®



Scan for
Installation Video

iBoard® by APS

PART#: IB-R124

READ INSTRUCTIONS CAREFULLY BEFORE STARTING INSTALLATION. REMOVE CONTENTS FROM BOX AND VERIFY ALL PARTS ARE PRESENT. ASSISTANCE IS RECOMMENDED.

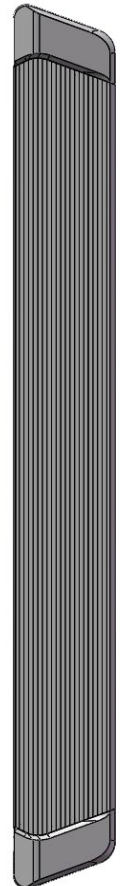
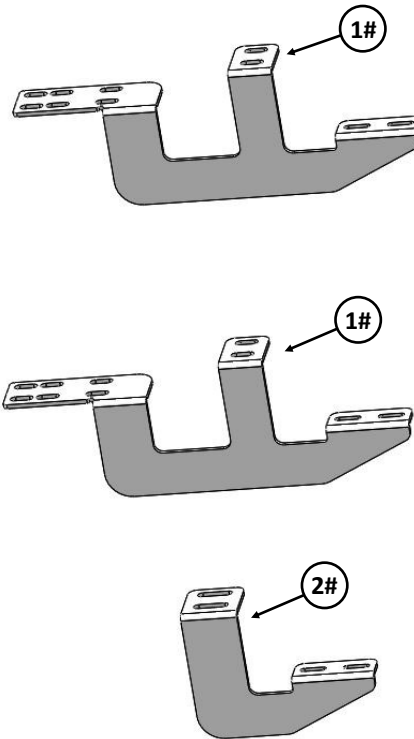
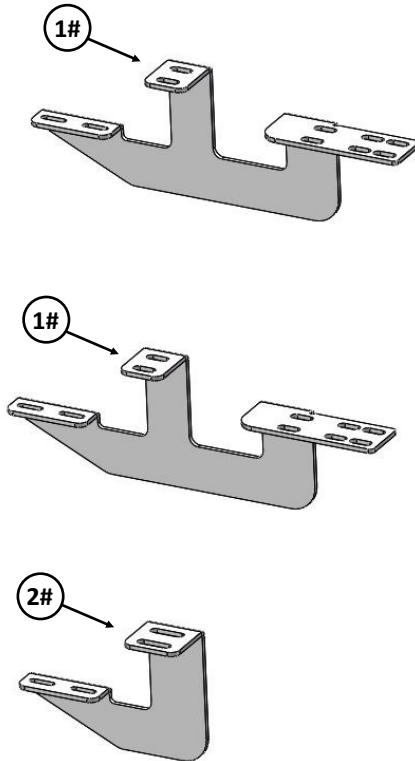
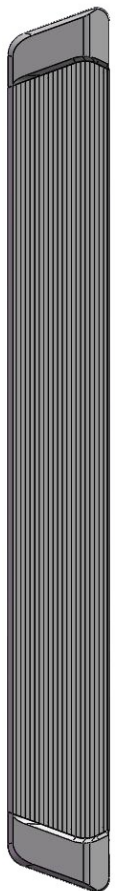
*ROCKER PANEL MOUNT
*NO DRILLING REQUIRED

| Fastener Size | Tightening Torque (ft-lbs) | Required |
|---------------|----------------------------|----------|
| 6mm | 6-7 | √ |
| 8mm | 16-18 | √ |
| 10mm | 31-32 | X |
| 12mm | 56-58 | X |
| 14mm | 92-94 | X |

Driver

Front

Passenger

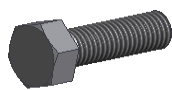


Customer Support: info@iboardauto.com



Hardware Package A (For Bracket Installation)

| Item | QTY | Description | Item | QTY | Description |
|------|-----|---|------|-----|-----------------|
| 1# | 4 | Mounting Brackets | 4# | 20 | M8 Flat Washers |
| 2# | 2 | Driver / Passenger Rear Mounting Brackets | 5# | 20 | M8 Lock Washers |
| 3# | 20 | M8X1.25-30mm Hex Bolts | | | |



3 #



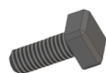
4 #



5 #

Hardware Package B (For Step Bar Installation)

| Item | QTY | Description | Item | QTY | Description |
|------|-----|-----------------------------|------|-----|--------------------|
| 1# | 12 | M6X1-20mm Square Head Bolts | 3# | 12 | M6 Nylon Lock Nuts |
| 2# | 12 | M6 Large Flat Washers | | | |



1#



2#

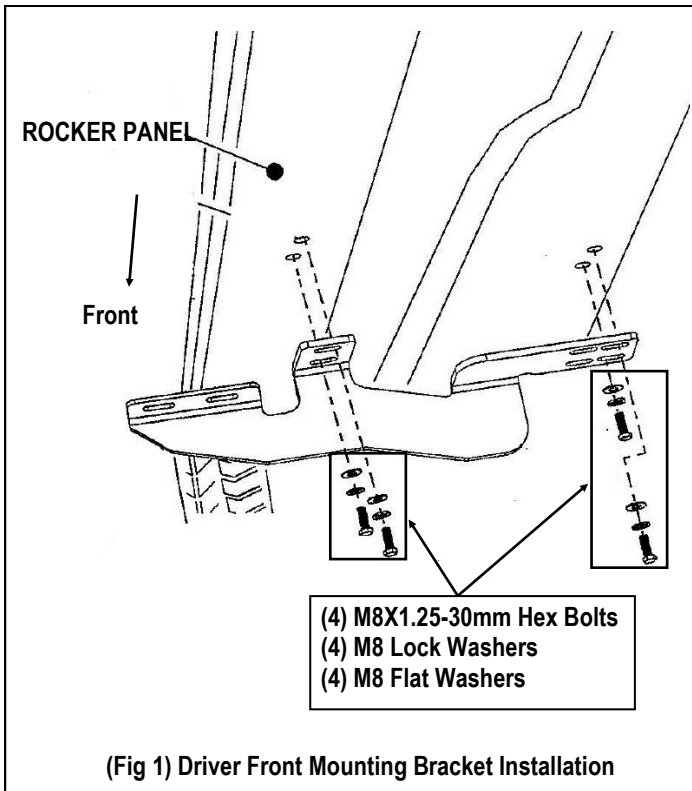


3#



STEP 1

Starting at the driver side front of the vehicle. Select (1) Mounting Bracket, bolt the Mounting Bracket to the front mounting holes with (4) M8X1.25-30mm Hex Bolts, (4) M8 Flat Washers and (4) M8 Lock Washers, (Fig 1). Do not fully tighten hardware at this time.



(Fig 1) Driver Front Mounting Bracket Installation

STEP 2

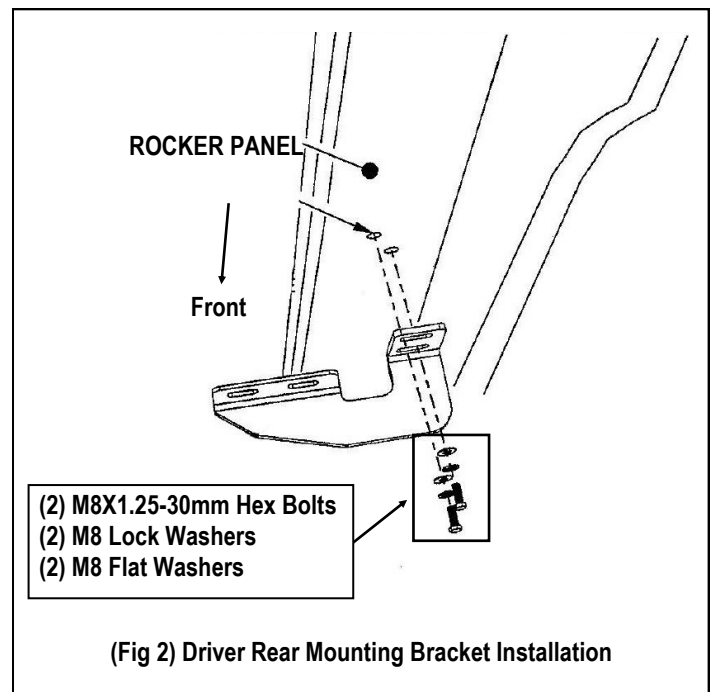
Move to the driver side center mounting location. Repeat **Step 1** to bolt the Driver Side Center Mounting Bracket to the factory holes. Do not fully tighten hardware at this time.

Note: Driver & Passenger Side Front & Center (4) Mounting Brackets are universal.

STEP 3

Move to the driver side rear mounting location. Select (1) Driver Rear Mounting Bracket, bolt the Mounting Bracket to the rear mounting holes with (2) M8X1.25-30mm Hex Bolts, (2) M8 Flat Washers and (2) M8 Lock Washers, (Fig 2). Do not fully tighten hardware at this time.

Note: Driver & Passenger Rear Mounting Brackets are universal.



(Fig 2) Driver Rear Mounting Bracket Installation

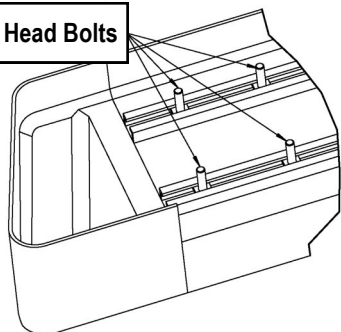
STEP 4

Once all (3) mounting brackets are installed. Select a Running Board. Slip (3) M6X1-20mm Square Head Bolts into each bottom channel (Fig 3). Carefully position the Running Board onto the (3) Mounting Brackets. Attach the Running Board to each Mounting Bracket with (2) M6X1-20mm Square Head Bolts, (2) M6 Large Flat Washers and (2) M6 Nylon Lock Nuts (Fig 4). Do not fully tighten at this time.

IMPORTANT: Do not slide the Running Board on the Brackets or the bottom surface of the board will be damaged.

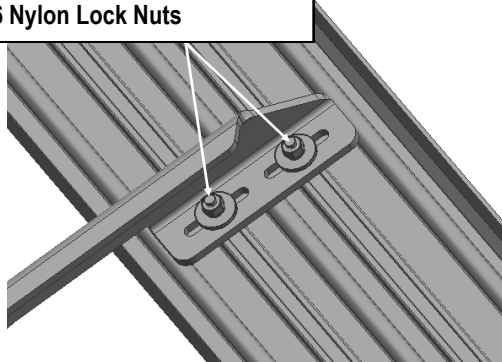


M6X1-20mm Square Head Bolts



(Fig 3) Slip M6X1-20mm Square Head Bolts Into
The Bottom Channels

(2) M6X1-20mm Square Head Bolts
(2) M6 Large Flat Washers
(2) M6 Nylon Lock Nuts



(Fig 4) Running Board Installed Onto Mounting Bracket

STEP 5

Level and adjust the Running Board and fully tighten all hardware.

Important: Please follow the recommended Tightening Torques shown in the table on page 1. Don't over tighten, or the nuts/bolts will be damaged.

STEP 6

Repeat **Steps 1-5** for the other side Running Board installation. The installation is completed.

Attention

Do periodic inspections to the installation to make sure that all hardware is secure and tight.

In order to protect your bars/boards, please use mild soap/non-abrasive products for cleaning only.