

iBoard®



Scan for
Installation Video

iBoard® by APS

PART#: IB-P970Y&H

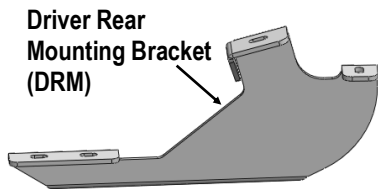
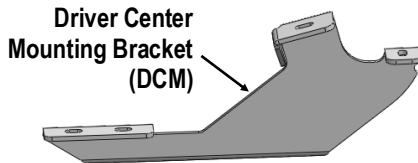
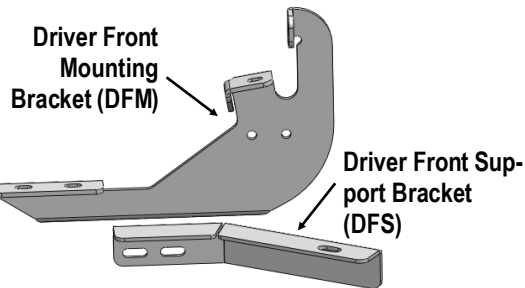
READ INSTRUCTIONS CAREFULLY BEFORE STARTING INSTALLATION. REMOVE CONTENTS FROM BOX AND VERIFY ALL PARTS ARE PRESENT. ASSISTANCE IS RECOMMENDED.

*ROCKER PANEL MOUNT
*NO DRILLING REQUIRED

Fastener Size	Tightening Torque (ft-lbs)	Required
6mm	6-7	X
8mm	16-18	√
10mm	31-32	√
12mm	56-58	X
14mm	92-94	X

PART LIST

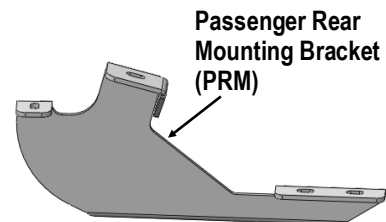
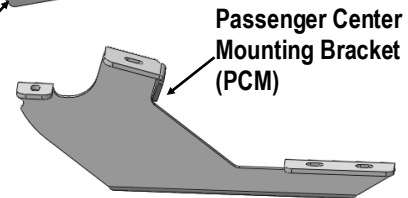
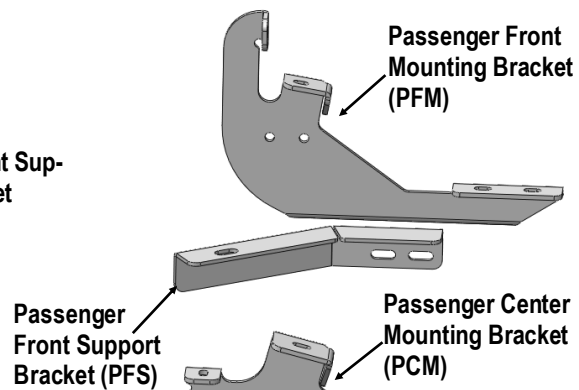
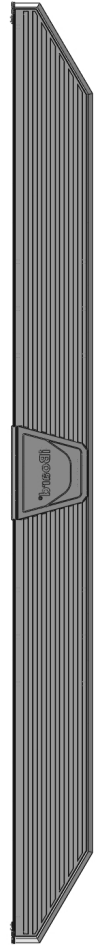
Driver Side Step Bar



Front



Passenger Side Step Bar

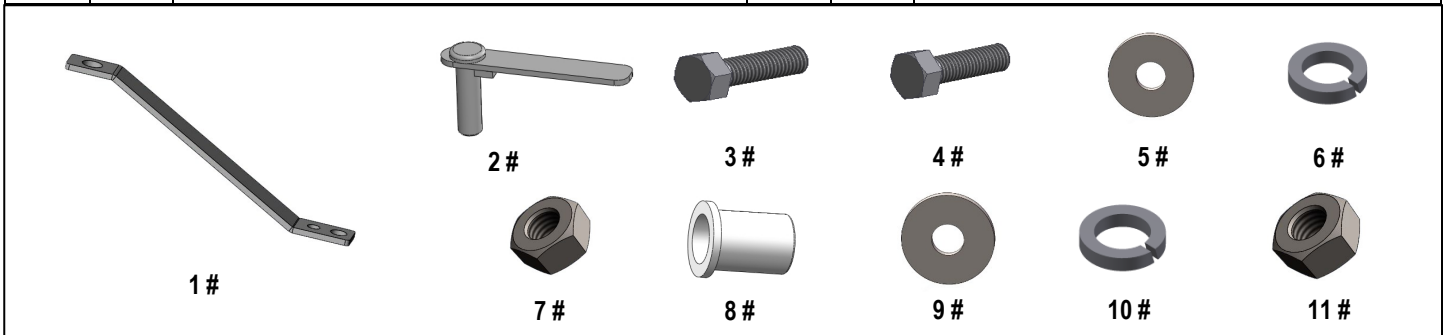


Customer Support: info@iboardauto.com



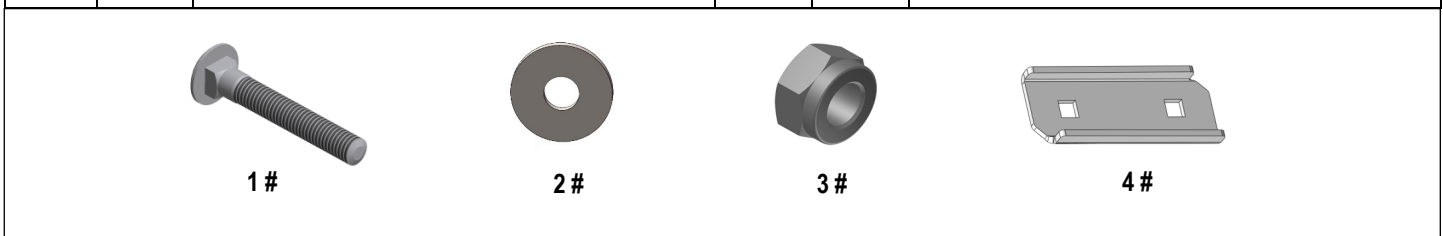
Hardware Package A (For Bracket Installation)

Item	QTY	Description	Item	QTY	Description
1#	1	M8 Rivet Insert Installation Tool	7#	4	M8 Hex Nuts
2#	2	M10X35 Bolt Plates	8#	2	M8 Rivet Nuts
3#	4	M8X1.25-35mm Hex Bolts	9#	2	M10 Large Flat Washers
4#	12	M8X1.25-25mm Hex Bolts	10#	2	M10 Lock Washers
5#	20	M8 Large Flat Washers	11#	2	M10 Hex Nuts
6#	16	M8 Lock Washers			



Hardware Package B (For Step Bar Installation)

Item	QTY	Description	Item	QTY	Description
1#	12	M8X1.25-35mm Carriage Bolts	3#	12	M8 Nylon Lock Nuts
2#	12	M8 Large Flat Washers	4#	6	Sliders (Packed with Mounting Brackets)

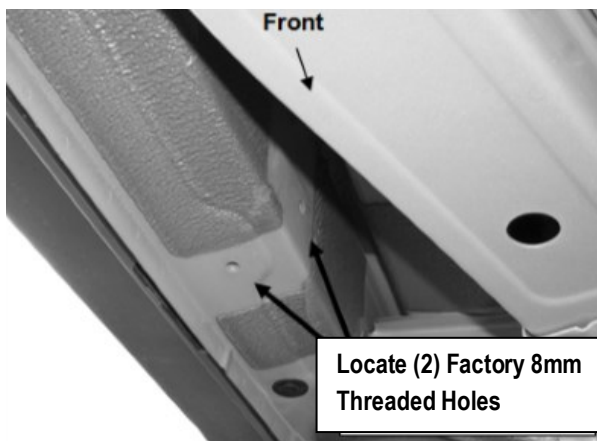




STEP 1

Starting on the driver side of the vehicle, locate the (2) factory 8mm threaded holes, one located at the bottom of the floor panel and the other one on the side of the inner body panel (Fig 1).

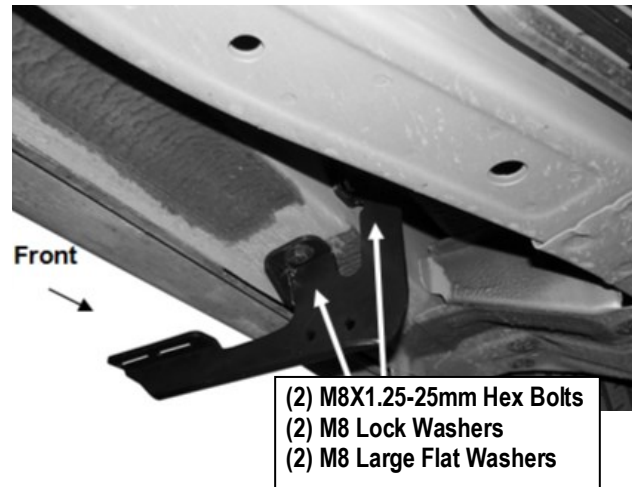
IMPORTANT: All factory threaded holes may be covered with rubber plugs or undercoating. Remove the undercoating from mounting surfaces carefully.



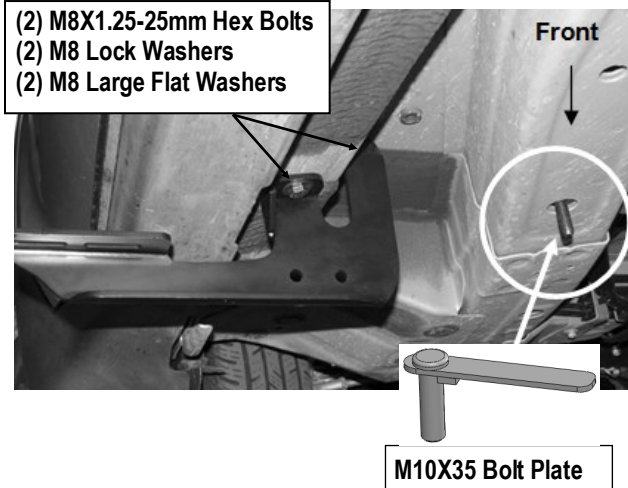
(Fig 1) Driver Side Front Mounting Location

STEP 2

Select the Driver Front Mounting Bracket. Attach the Bracket to the (2) threaded holes using the provided (2) M8X1.25-25mm Hex Bolts, (2) M8 Lock Washers and (2) M8 Large Flat Washers. Snug but do not tighten hardware at this time, (Fig 2).



(Fig 2) Driver Front Mounting Bracket Installed



(Fig 3) Insert M10X35 Bolt Plate

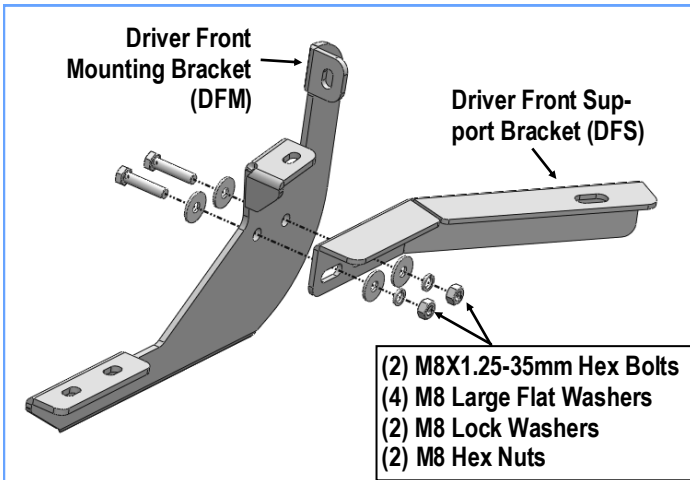
STEP 3

Select (1) M10X35 Bolt Plate. Insert the Bolt Plate into the factory hole at the bottom of the frame channel, (Fig 3). Rotate the Bolt Plate clock-wise 90- degrees.

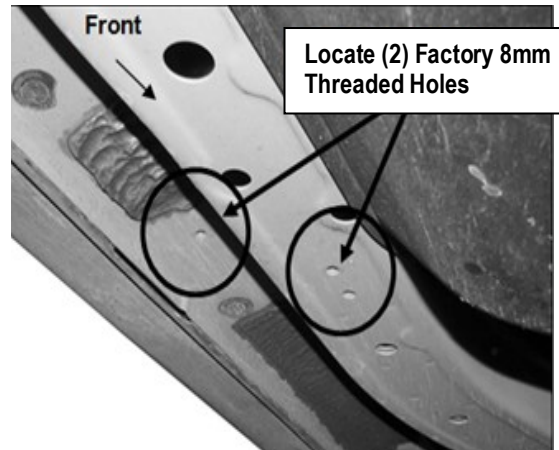
NOTE: To determine the correct mounting hole on the frame channel, suggest line up the Driver Front Support Bracket to the (2) holes on the Driver Front Mounting Bracket with the other end lined up with the hole at the bottom of the frame channel, (Fig 4).

STEP 4

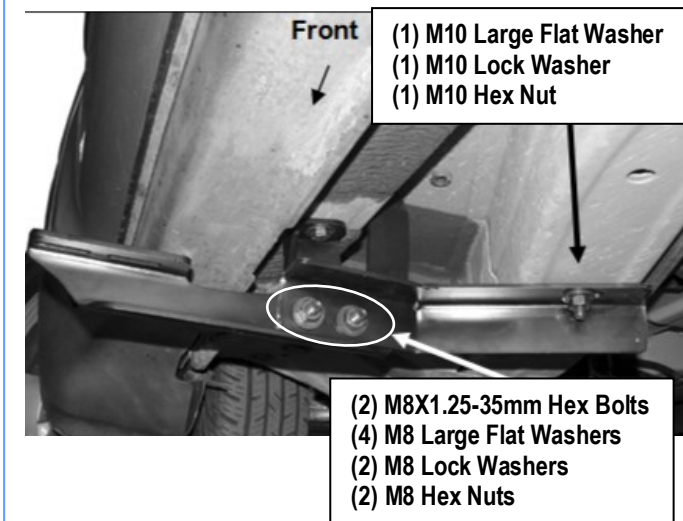
Bolt the Driver Front Support Bracket to the back of the Driver Front Mounting Bracket with (2) M8x1.25-35mm Hex Bolts, (4) M8 Large Flat Washers, (2) M8 Lock Washers and (2) M8 Hex Nuts, (Figs 4 & 5). Next, hang the inner end of the Driver Front Support Bracket from the previously installed M10X35 Bolt Plate using (1) M10 Large Flat Washer, (1) M10 Lock Washer and (1) M10 Hex Nut. Do not fully tighten hardware at this time.



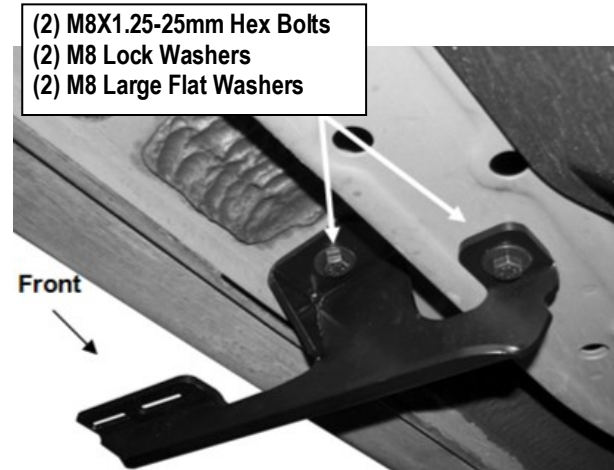
(Fig 4) Driver Front Brackets Assembly



(Fig 6) Driver Side Center Mounting Location



(Fig 5) Driver Front Support Bracket Installed



(Fig 7) Driver Center Mounting Bracket Installed

STEP 5

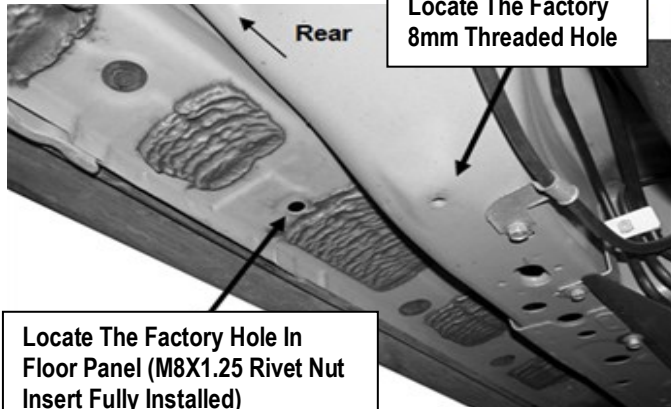
Move to the Driver Side Center Mounting Location, locate the (2) 8mm threaded holes at the bottom of the floor panel and the frame channel, (Fig 6). Select and attach the Driver Center Mounting Bracket to the (2) threaded holes using the provided (2) M8X1.25-25mm Hex Bolts, (2) M8 Lock Washers and (2) M8 Large Flat Washers (Fig 7). Snug but do not tighten hardware at this time.

Note: Driver Center Mounting Bracket and Driver Rear Mounting Bracket are different, refer to **Page 1**.

STEP 6

Move to the Driver Side Rear Mounting location. Locate the 8mm threaded hole at the bottom of the frame channel and floor panel (Fig 8). Remove rubber plugs if equipped.

NOTE: Suggest hold the Driver Rear Mounting Bracket up to the mounting position to identify the correct factory threaded holes for mounting on the frame.



(Fig 8) Driver Side Rear Mounting Location

STEP 7

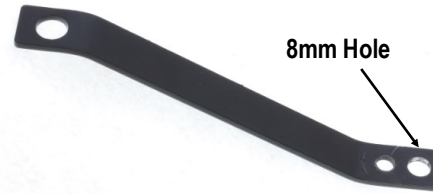
Select and assemble the M8 Rivet Insert Installation Tool, (1) M8 Rivet Nut, (1) M8 Large Flat Washer and (1) M8X1.25 - 25mm Hex Bolt, (Fig 9). **NOTE: Use the 8mm hole on M8 Rivet Nut Installation Tool to install the M8 Rivet Nut, (Fig 10).**

Insert the M8 Rivet Nut into the factory hole on floor panel. Firmly hold the tool handle up against the floor panel, and then tighten the M8X1.25-25mm Hex Bolt with the wrench until the Rivet Nut is fully expanded in the hole, (Fig 11).

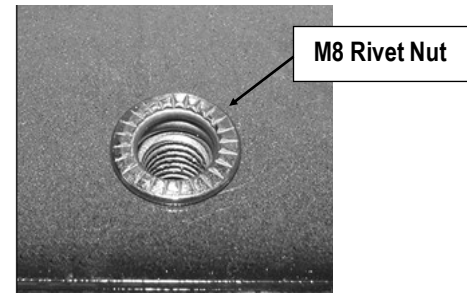
NOTE: Do not over tighten or a pull out may occur. Once Insert is fully compressed, remove the bolt and tool from the Insert.



(Fig 9) M8 Rivet Nut Installation Tool Assembly



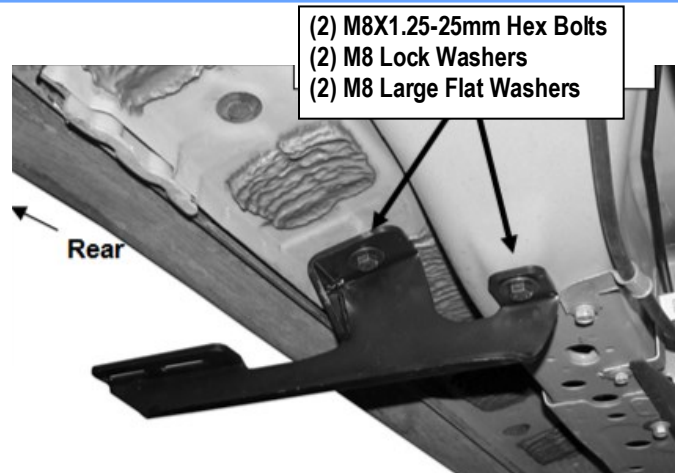
(Fig 10) M8 Rivet Insert Installation Tool



(Fig 11) Tighten Hex Bolt To Collapse And Lock Rivet Nut Into Factory Hole

STEP 8

Attach the Driver Rear Mounting Bracket to the factory 8mm threaded hole on the frame channel and the installed M8 Rivet Nut with (2) M8X1.25 -25mm Hex Bolts, (2) M8 Lock Washers and (2) M8 Large Flat Washers, (Fig 12). Do not tighten hardware at this time.



(Fig 12) Driver Rear Mounting Bracket Installed



STEP 9

Once all (3) Driver side mounting brackets are installed, then proceed to the Step Bar installation. (Figs 13 & 14)

- (1) Select (1) Slider and (2) M8X1.25-35mm Carriage Bolts;
- (2) Install (2) M8X1.25-35mm Carriage Bolts in (1) Slider.
- (3) Slide the Slider (with carriage bolts) to the **Step Bar**.
- (4) Repeat to install the other (2) sliders to the step bar.
- (5) Attach the Step Bar (with the Sliders) onto the installed mounting brackets. Position the Sliders to the installed brackets. Secure the Step Bar to the installed Brackets by using (6) M8 Large Flat Washers and (6) M8 Nylon Lock Nuts and (3) Sliders, (Fig 14). Do not fully tighten hardware at this time.

Note: The Sliders are packed with the Mounting Brackets.

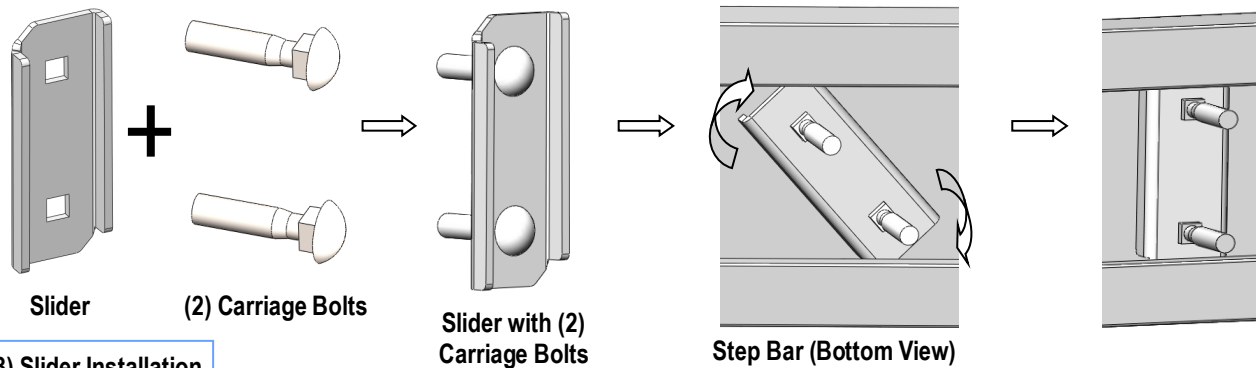
Level and adjust the Step Bar and fully tighten all hardware.

Repeat **Steps 1-9** for the other side Step Bar installation. **The installation is completed!!!**

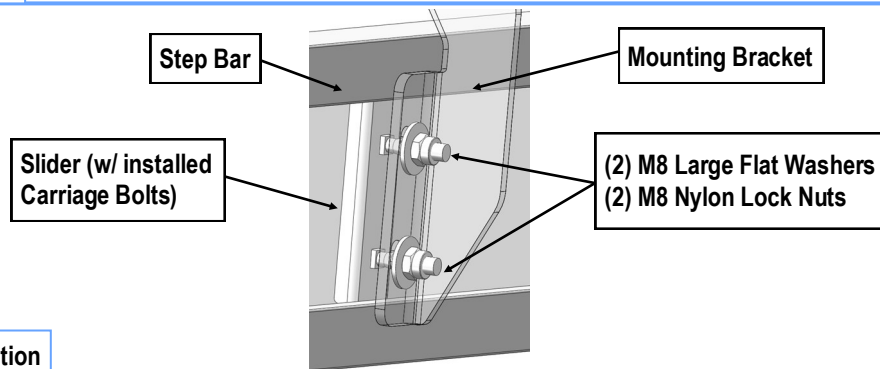
Attention

Do periodic inspections to the installation to make sure that all hardware is secure and tight.

In order to protect your bars/boards, please use mild soap/non-abrasive products for cleaning only.



(Fig 13) Slider Installation



(Fig 14) Step Bar Installation