

iBoard®



Scan for
Installation Video

iBoard® by APS

PART#: IB-121C&H

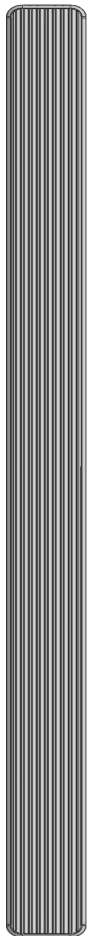
READ INSTRUCTIONS CAREFULLY BEFORE STARTING INSTALLATION. REMOVE CONTENTS FROM BOX AND VERIFY ALL PARTS ARE PRESENT. ASSISTANCE IS RECOMMENDED.

*ROCKER PANEL MOUNT
*NO DRILLING REQUIRED

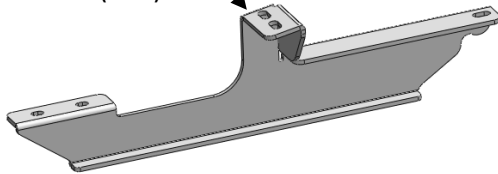
Fastener Size	Tightening Torque (ft-lbs)	Required
6mm	6-7	X
8mm	16-18	√
10mm	31-32	X
12mm	56-58	X
14mm	92-94	X

PART LIST

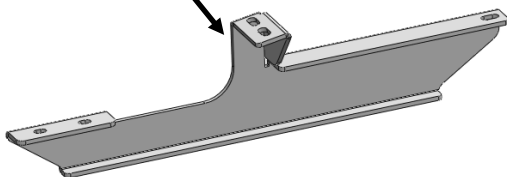
Driver Side Step Bar



Driver Front Mounting Bracket (DFM)



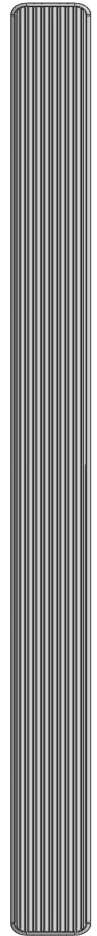
Driver Rear Mounting Bracket (DRM)



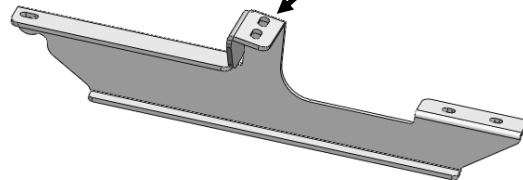
Front



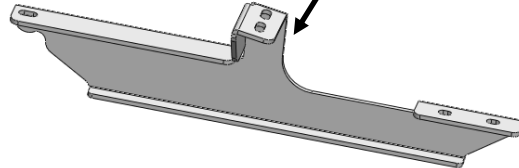
Passenger Side Step Bar



Passenger Front Mounting Bracket (PFM)



Passenger Rear Mounting Bracket (PRM)

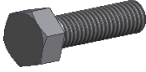


Customer Support: info@iboardauto.com




Hardware Package A (For Bracket Installation)


Item	QTY	Description	Item	QTY	Description
1#	12	M8X1.25-20mm Hex Bolts	3#	12	M8 Lock Washers
2#	12	M8 Flat Washers			



1#



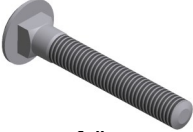
2#




3#

Hardware Package B (For Stainless Steel Step Bar Installation)


Item	QTY	Description	Item	QTY	Description
1#	8	M8X1.25-35mm Carriage Bolts	3#	8	M8 Nylon Lock Nuts
2#	8	M8 Large Flat Washers	4#	4	Sliders (Packed with Step Bars)



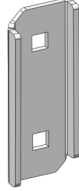
1 #



2 #



3 #



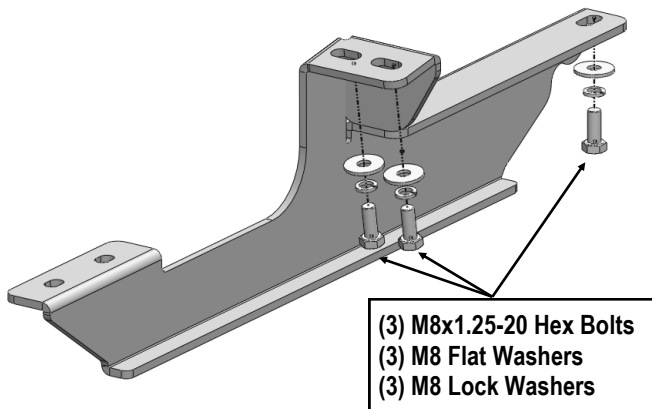
4 #



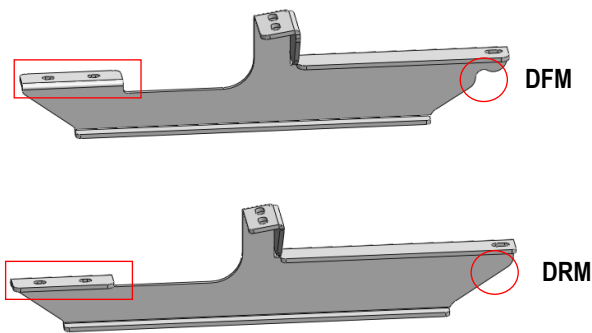
STEP 1

Start installation on the driver side of the vehicle. Select and attach the Driver Front Mounting Bracket (**DFM**) to the vehicle with (3) M8X1.25-20 Hex Bolts, (3) M8 Flat Washers and (3) M8 Lock Washers, (**Fig 1**). Do not fully tighten hardware at this time.

NOTE: Driver Front Mounting Bracket (DFM) and Driver Rear Mounting Bracket (DRM) are different (**Fig 2**).



(Fig 1) Driver Front Mounting Bracket (DFM) Installation



(Fig 2) Driver Front Mounting Bracket & Driver Rear Mounting Bracket

STEP 2

Next, move to the driver rear mounting location. Repeat **Step 1** to install the Driver Rear Mounting Bracket (**DRM**). Do not fully tighten hardware at this time.

STEP 3

Once all (2) Driver side mounting brackets are installed, then proceed to the Step Bar installation. (**Figs 3 & 4**)

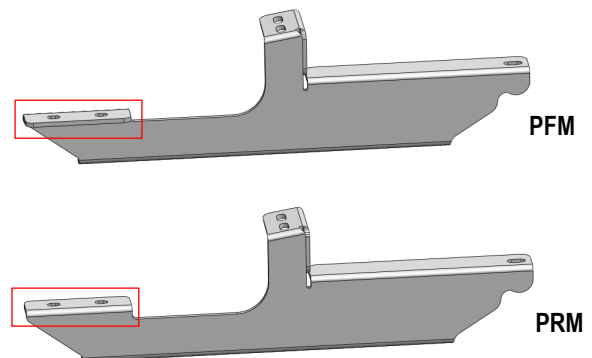
- (1) Select (1) Slider and (2) M8X1.25-35mm Carriage Bolts;
- (2) Install (2) M8X1.25-35mm Carriage Bolts in (1) Slider.
- (3) Slide the Slider (with carriage bolts) to the **Step Bar**.
- (4) Repeat to install the other (1) slider to the step bar.
- (5) Attach the Step Bar (with the Sliders) onto the installed mounting brackets. Position the Sliders to the installed brackets. Secure the Step Bar to the installed Brackets by using (4) M8 Large Flat Washers and (4) M8 Nylon Lock Nuts and (2) Sliders, (**Fig 4**). Do not fully tighten hardware at this time.

Note: The Sliders are packed with the Step Bars.

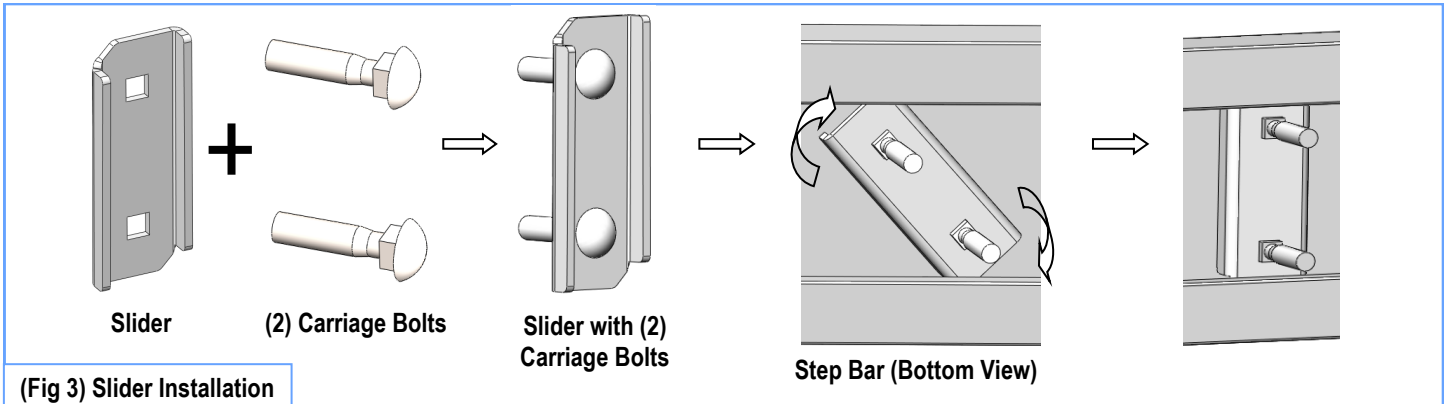
Level and adjust the Step Bar and fully tighten all hardware.

Repeat **Steps 1-3** for the other side Step Bar installation. **The installation is completed!!!**

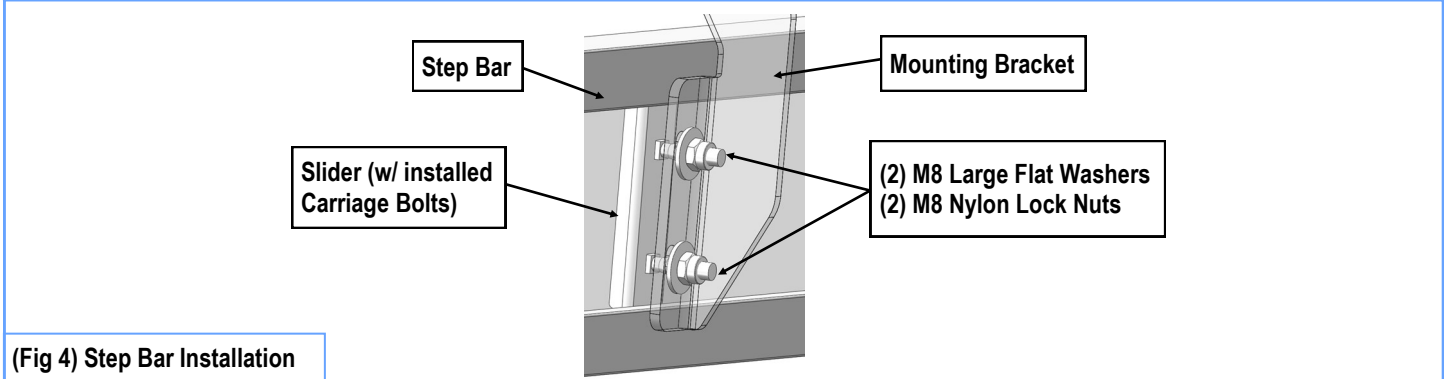
NOTE: Passenger Front Mounting Bracket (PFM) and Passenger Rear Mounting Bracket (PRM) are different (**Fig 5**).



(Fig 5) Passenger Front Mounting Bracket & Passenger Rear Mounting Bracket



(Fig 3) Slider Installation



(Fig 4) Step Bar Installation

Attention

Do periodic inspections to the installation to make sure that all hardware is secure and tight.
In order to protect your bars/boards, please use mild soap/non-abrasive products for cleaning only.