

iBoard®



Scan for
Installation Video

iBoard® by APS

PART#: IB-P010C&J

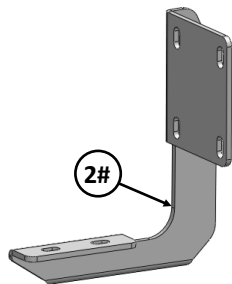
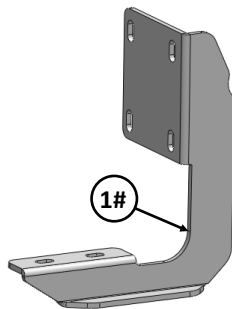
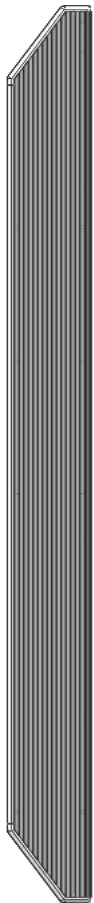
READ INSTRUCTIONS CAREFULLY BEFORE STARTING INSTALLATION. REMOVE CONTENTS FROM BOX AND VERIFY ALL PARTS ARE PRESENT. ASSISTANCE IS RECOMMENDED.

*ROCKER PANEL MOUNT
*NO DRILLING REQUIRED

Fastener Size	Tightening Torque (ft-lbs)	Required
6mm	6-7	X
8mm	16-18	√
10mm	31-32	X
12mm	56-58	X
14mm	92-94	X

PART LIST

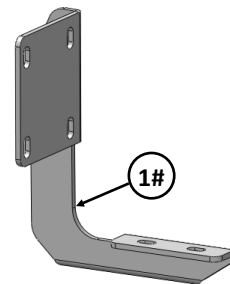
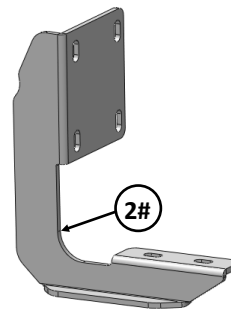
Driver Side Step Bar



Front



Passenger Side Step Bar

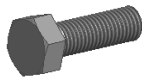


Customer Support: info@iboardauto.com



Hardware Package A (For Bracket Installation)

Item	QTY	Description	Item	QTY	Description
1#	2	Driver Front / Passenger Rear Mounting Brackets	5#	6	M8 Lock Washers
2#	2	Passenger Front / Driver Rear Mounting Brackets	6#	8	M8 Nylon Lock Nuts
3#	14	M8X1.25-25mm Hex Bolts	7#	6	M8 Clip Nuts
4#	22	M8 Large Flat Washers			



3 #



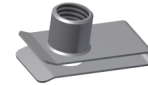
4 #



5 #



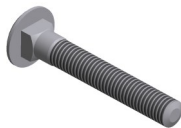
6 #



7 #

Hardware Package B (For Step Bar Installation)

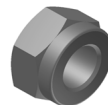
Item	QTY	Description	Item	QTY	Description
1#	8	M8X1.25-35mm Carriage Bolts	3#	8	M8 Nylon Lock Nuts
2#	8	M8 Large Flat Washers	4#	4	Sliders (Packed with Mounting Brackets)



1 #



2 #



3 #



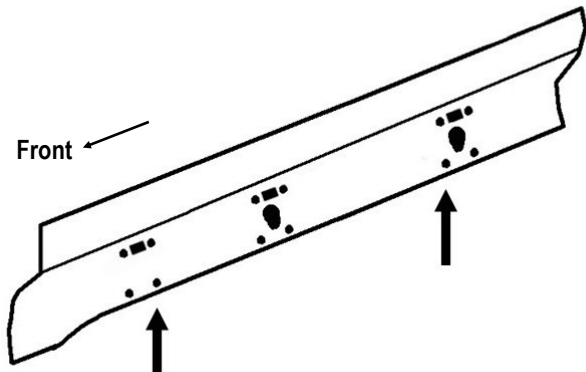
4 #



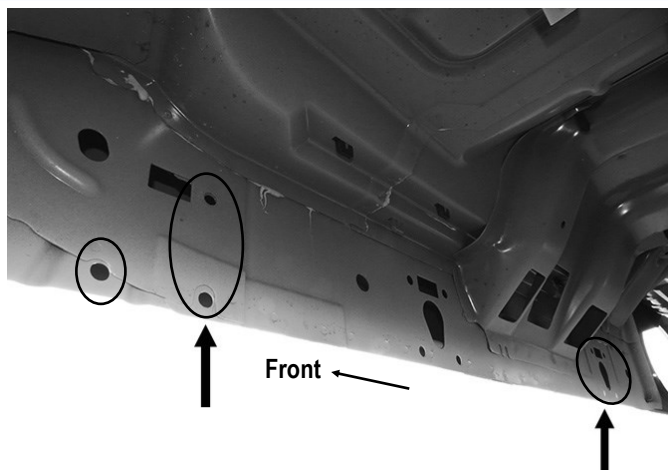
STEP 1

Starting from the passenger front side of the vehicle, locate the passenger side mounting locations, (Fig 1 & 2).

NOTE: The mounting holes may be covered by sealing tapes or insulation, remove as required.



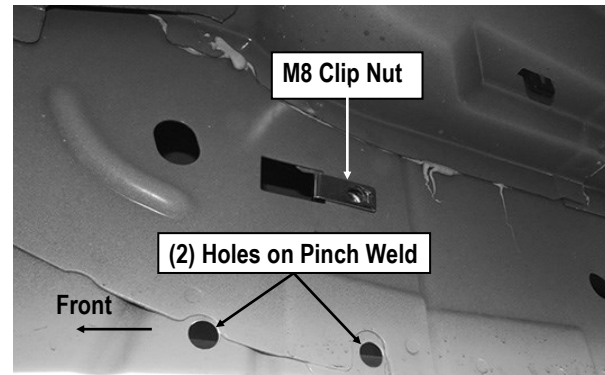
(Fig 1) Passenger Side Mounting Locations



(Fig 2) Passenger Side Front Mounting Location

STEP 2

Only (3) holes will be used on Passenger Side Front Mounting Location, (1) hole on body panel, (2) holes on pinch weld. Insert (1) M8 Clip Nut into the rectangular opening with the nut towards the inside. Line up the threaded nut on the clip with the round hole toward the rear, (Fig 3).



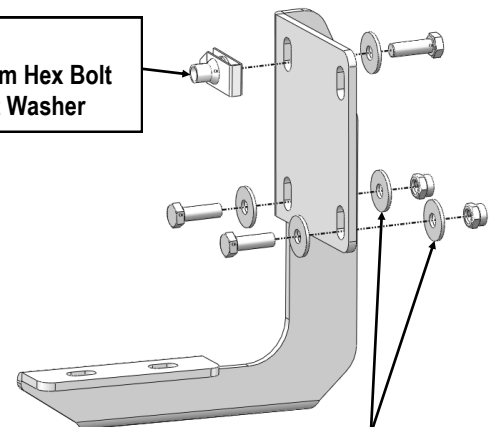
(Fig 3) M8 Clip Nut Installed
(On Passenger Side Front Mounting Location)

STEP 3

Attach the Passenger Front Mounting Bracket onto the installed M8 Clip Nut with (1) M8 Clip Nut, (1) M8X1.25-25mm Hex Bolt, and (1) M8 Large Flat Washer, (Fig 4).

Next, secure the lower mounting hole on the bracket to the pinch weld with (2) M8X1.25-25mm Hex Bolts, (4) M8 Large Flat Washers and (2) M8 Nylon Lock Nuts, (Fig 4). Do not fully tighten hardware at this time.

(1) M8 Clip Nut
(1) M8X1.25-25mm Hex Bolt
(1) M8 Large Flat Washer



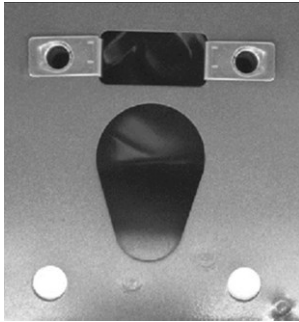
(2) M8X1.25-25mm Hex Bolts
(4) M8 Large Flat Washers
(2) M8 Nylon Lock Nuts

(Fig 4) Passenger Front Mounting Bracket Installation



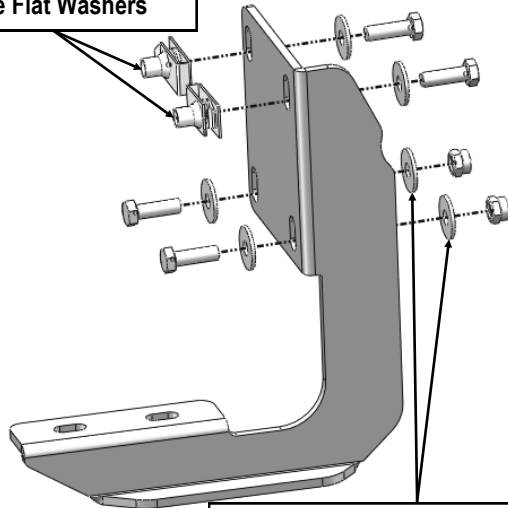
STEP 4

Move to the Passenger Side Rear Mounting Location, (Fig 5). Install (2) M8 Clip Nuts as shown. Repeat **Step 3** to attach the Passenger Rear Mounting Bracket to the vehicle. Do not fully tighten hardware at this time. (Fig 6).



(Fig 5) M8 Clip Nut Installed
(On Passenger Rear Mounting Location)

(2) M8 Clip Nuts
(2) M8X1.25-25mm Hex Bolts
(2) M8 Large Flat Washers



(2) M8X1.25-25mm Hex Bolts
(4) M8 Large Flat Washers
(2) M8 Nylon Lock Nuts

(Fig 6) Passenger Rear Mounting Bracket Installation

STEP 5

Once all (2) Passenger side mounting brackets are installed, then proceed to the Step Bar installation. (Figs 7 & 8)

- (1) Select (1) Slider and (2) M8X1.25-35mm Carriage Bolts;
- (2) Install (2) M8X1.25-35mm Carriage Bolts in (1) Slider.
- (3) Slide the Slider (with carriage bolts) to the **Step Bar**.
- (4) Repeat to install the other (1) slider to the step bar.
- (5) Attach the Step Bar (with the Sliders) onto the installed mounting brackets. Position the Sliders to the installed brackets. Secure the Step Bar to the installed Brackets by using (4) M8 Large Flat Washers and (4) M8 Nylon Lock Nuts and (2) Sliders, (Fig 8). Do not fully tighten hardware at this time.

Note: The Sliders are packed with the Mounting Brackets.

Level and adjust the Step Bar and fully tighten all hardware.

Repeat **Steps 1-5** for the other side Step Bar installation. **The installation is completed!!!**

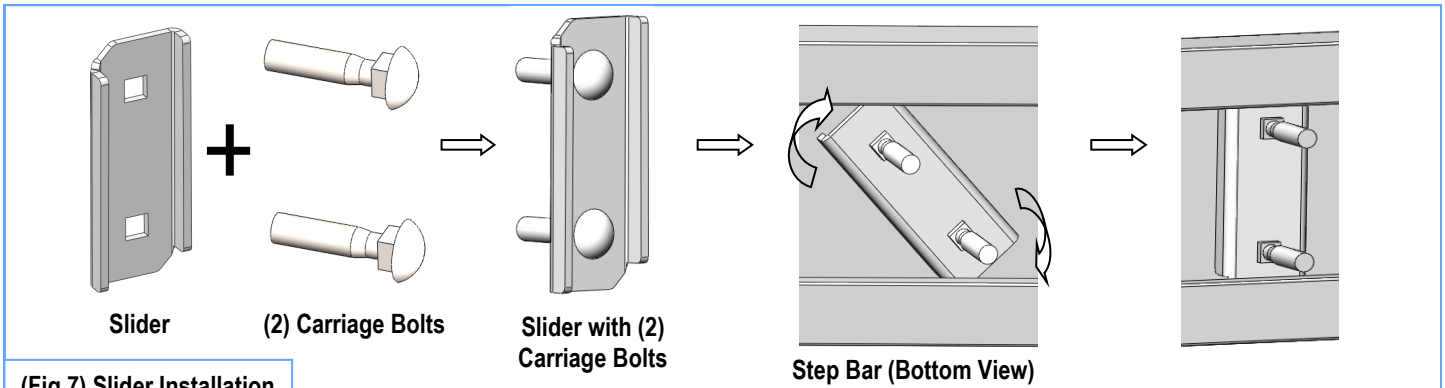
Attention

Do periodic inspections to the installation to make sure that all hardware is secure and tight.

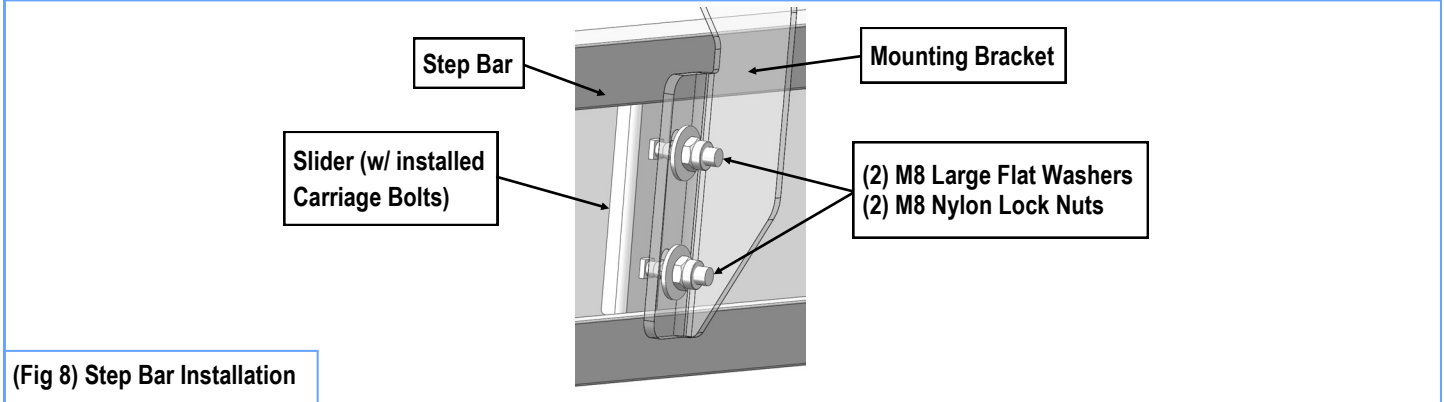
In order to protect your bars/boards, please use mild soap/non-abrasive products for cleaning only.



Scan for Installation Video



(Fig 7) Slider Installation



(Fig 8) Step Bar Installation