

iBoard®



Scan for
Installation Video

iBoard® by APS

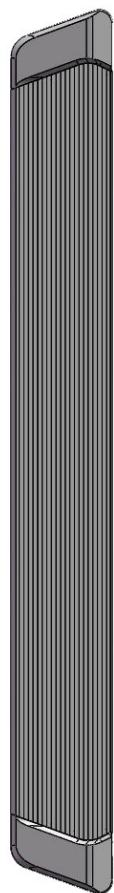
PART#: IB-R921

READ INSTRUCTIONS CAREFULLY BEFORE STARTING INSTALLATION. REMOVE CONTENTS FROM BOX AND VERIFY ALL PARTS ARE PRESENT. ASSISTANCE IS RECOMMENDED.

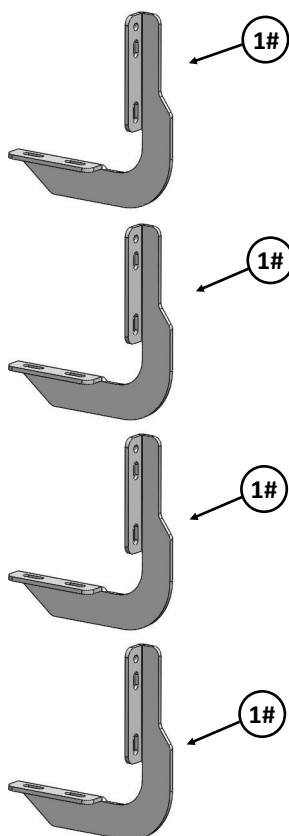
*ROCKER PANEL MOUNT
*NO DRILLING REQUIRED

Fastener Size	Tightening Torque (ft-lbs)	Required
6mm	6-7	√
8mm	16-18	√
10mm	31-32	X
12mm	56-58	X
14mm	92-94	X

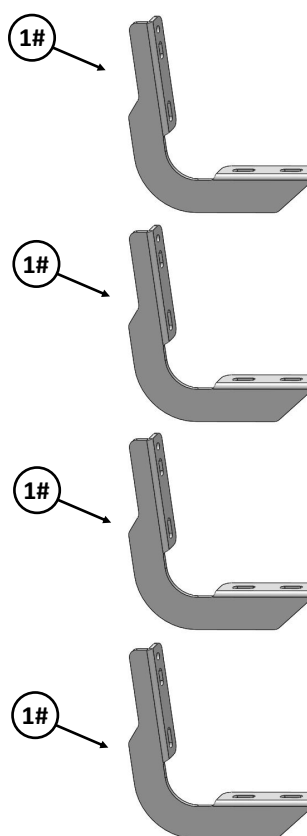
Driver



Front



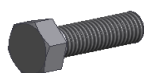
Passenger





Hardware Package A (For Bracket Installation)

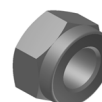
Item	QTY	Description	Item	QTY	Description
1#	8	Mounting Brackets	3#	24	M8 Flat Washers
2#	16	M8X1.25-20mm Hex Bolts	4#	8	M8 Nylon Lock Nuts



2 #



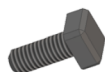
3 #



4 #

Hardware Package B (For Step Bar Installation)

Item	QTY	Description	Item	QTY	Description
1#	16	M6X1-20mm Square Head Bolts	3#	16	M6 Nylon Lock Nuts
2#	16	M6 Large Flat Washers			



1#



2#



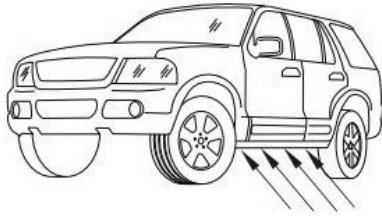
3#



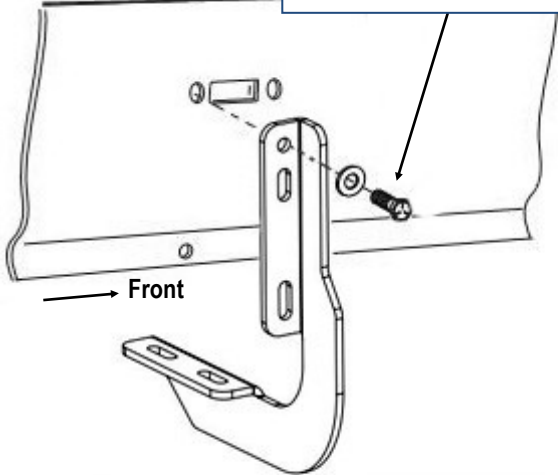
STEP 1

Start installation from the driver side of the vehicle. Identify the mounting locations along the rocker panel, **(Fig 1)**.

Select (1) Mounting Bracket, attach to the mounting locations with (1) M8X1.25-20mm Hex Bolt and (1) M8 Flat Washer; attach to the rocker panel with (1) M8X1.25-20mm Hex Bolt, (2) M8 Flat Washers and (1) M8 Nylon Lock Nut, **(Fig 1)**. Do not fully tighten hardware at this time.



(1) M8X1.25-20mm Hex Bolt
(1) M8 Flat Washer



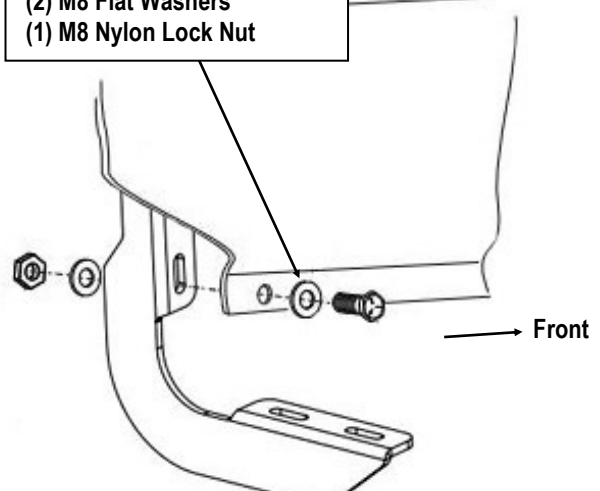
(Fig 1) Driver Side Mounting Bracket Installed

STEP 2

Move to the driver side other (3) mounting locations, repeat **Step 1** for (3) Mounting Brackets installation. Do not fully tighten hardware at this time.

Note: All (8) Mounting Brackets are universal.

(1) M8X1.25-20mm Hex Bolts
(2) M8 Flat Washers
(1) M8 Nylon Lock Nut



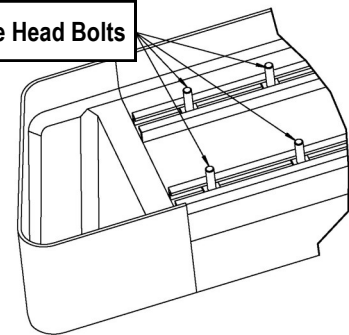
(Fig 2) Driver Side Mounting Bracket Installed

STEP 3

Once all (4) mounting brackets are installed. Select a Running Board. Slip (4) M6X1-20mm Square Head Bolts into each bottom channel **(Fig 3)**. Carefully position the Running Board onto the (4) Mounting Brackets. Attach the Running Board to each Mounting Bracket with (2) M6X1-20mm Square Head Bolts, (2) M6 Large Flat Washers and (2) M6 Nylon Lock Nuts **(Fig 4)**. Do not fully tighten at this time.

IMPORTANT: Do not slide the Running Board on the Brackets or the bottom surface of the board will be damaged.

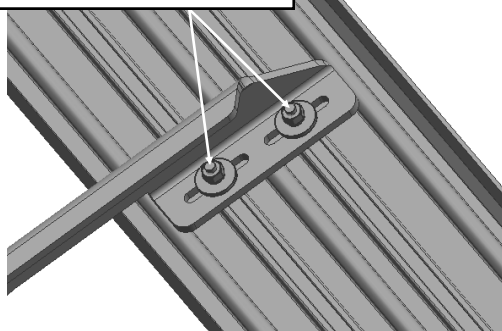
M6X1-20mm Square Head Bolts



(Fig 3) Slip M6X1-20mm Square Head Bolts Into
The Bottom Channels



- (2) M6X1-20mm Square Head Bolts
- (2) M6 Large Flat Washers
- (2) M6 Nylon Lock Nuts



(Fig 4) Running Board Installed Onto Mounting Bracket

STEP 4

Level and adjust the Running Board and fully tighten all hardware.

Important: Please follow the recommended Tightening Torques shown in the table on page 1. Don't over tighten, or the nuts/bolts will be damaged.

STEP 5

Repeat **Steps 1-4** for the other side Running Board installation. The installation is completed.

Attention

Do periodic inspections to the installation to make sure that all hardware is secure and tight.

In order to protect your bars/boards, please use mild soap/non-abrasive products for cleaning only.