

iBoard®



Scan for
Installation Video

iBoard® by APS

PART#: IB-P044Y&H

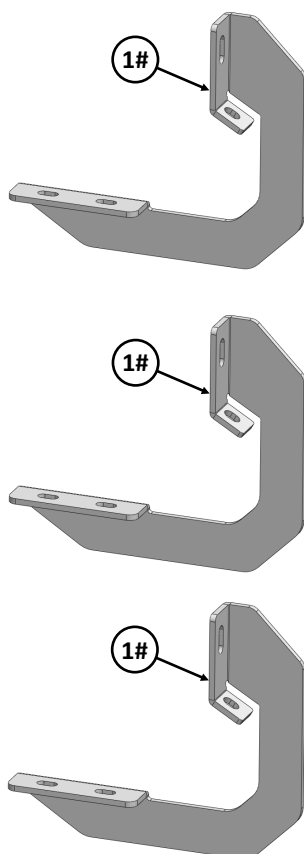
READ INSTRUCTIONS CAREFULLY BEFORE STARTING INSTALLATION. REMOVE CONTENTS FROM BOX AND VERIFY ALL PARTS ARE PRESENT. ASSISTANCE IS RECOMMENDED.

*ROCKER PANEL MOUNT
*NO DRILLING REQUIRED

Fastener Size	Tightening Torque (ft-lbs)	Required
6mm	6-7	X
8mm	16-18	√
10mm	31-32	√
12mm	56-58	X
14mm	92-94	X

PART LIST

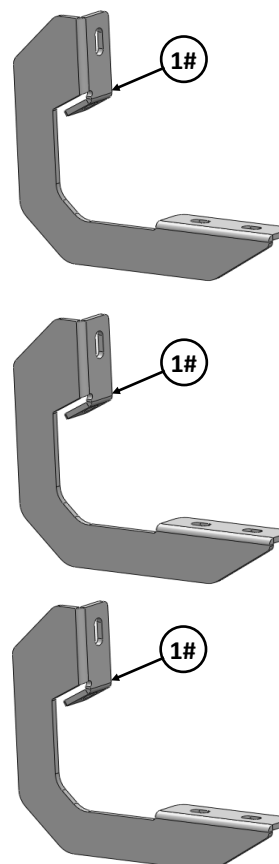
Driver Side Step Bar



Front



Passenger Side Step Bar

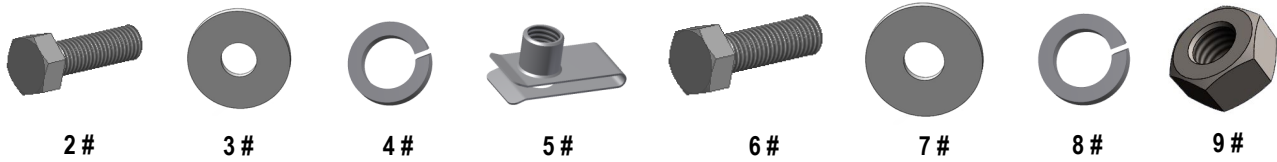


Customer Support: info@iboardauto.com



Hardware Package A (For Bracket Installation)

Item	QTY	Description	Item	QTY	Description
1#	6	Mounting Brackets	6#	6	M10X1.5-25mm Hex Bolts
2#	6	M8X1.25-25mm Hex Bolts	7#	12	M10 Flat Washers
3#	6	M8 Flat Washers	8#	6	M10 Lock Washers
4#	6	M8 Lock Washers	9#	6	M10 Hex Nuts
5#	6	M8 Clip Nuts			



2 #

3 #

4 #

5 #

6 #

7 #

8 #

9 #

Hardware Package B (For Step Bar Installation)

Item	QTY	Description	Item	QTY	Description
1#	12	M8X1.25-35mm Carriage Bolts	3#	12	M8 Nylon Lock Nuts
2#	12	M8 Large Flat Washers	4#	6	Sliders (Packed with Mounting Brackets)



1 #

2 #

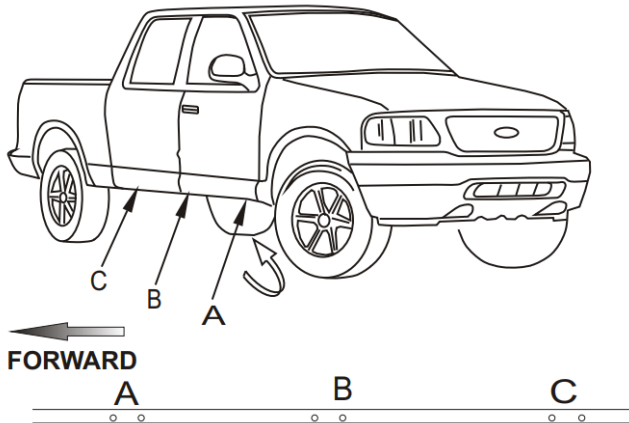
3 #

4 #



STEP 1

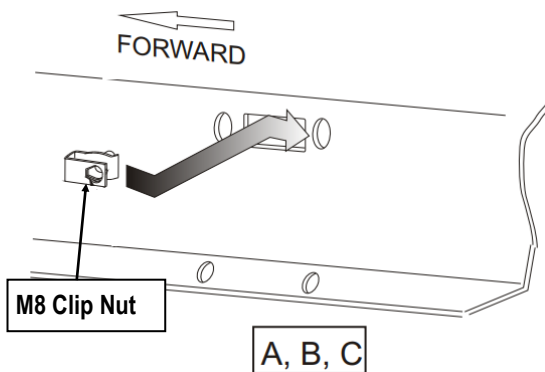
Start installation from the passenger side of the vehicle. Locate Passenger Side mounting locations as shown on **Fig 1**.



(Fig 1) Passenger Side Mounting Locations

STEP 2

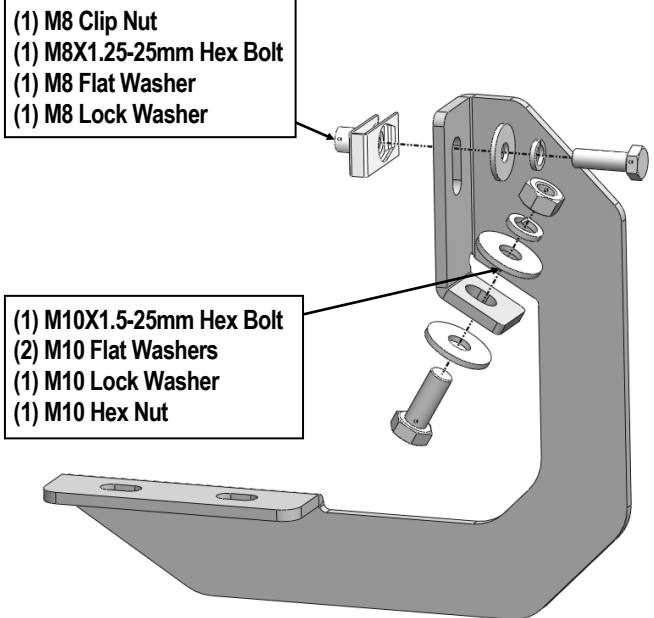
Start from the passenger front mounting location. Select (1) M8 Clip Nut. Install M8 Clip Nut as shown, (Fig 2).



(Fig 2) M8 Clip Nut Installation

STEP 3

Attach (1) Mounting Bracket to the installed M8 Clip Nut and pinch weld with (1) M8X1.25-25mm Hex Bolt, (1) M8 Flat Washer, (1) M8 Lock Washer and (1) M10X1.5-25mm Hex Bolt, (2) M10 Flat Washers, (1) M10 Lock Washer, (1) M10 Hex Nut, (Fig 3). Do not fully tighten hardware at this time.



(Fig 3) Passenger Front Mounting Bracket Installation

STEP 4

Move to the passenger side center & rear of the vehicle. Select (1) Mounting Bracket. Repeat **Steps 1—3** to install the passenger side Center & Rear Mounting Brackets.

NOTE: All (6) Mounting Brackets are Universal.



STEP 5

Once all (3) Passenger side mounting brackets are installed, then proceed to the Step Bar installation. (Figs 4 & 5)

- (1) Select (1) Slider and (2) M8X1.25-35mm Carriage Bolts;
- (2) Install (2) M8X1.25-35mm Carriage Bolts in (1) Slider.
- (3) Slide the Slider (with carriage bolts) to the **Step Bar**.
- (4) Repeat to install the other (2) sliders to the step bar.
- (5) Attach the Step Bar (with the Sliders) onto the installed mounting brackets. Position the Sliders to the installed brackets. Secure the Step Bar to the installed Brackets by using (6) M8 Large Flat Washers and (6) M8 Nylon Lock Nuts and (3) Sliders, (Fig 5). Do not fully tighten hardware at this time.

Note: The Sliders are packed with the Mounting Brackets.

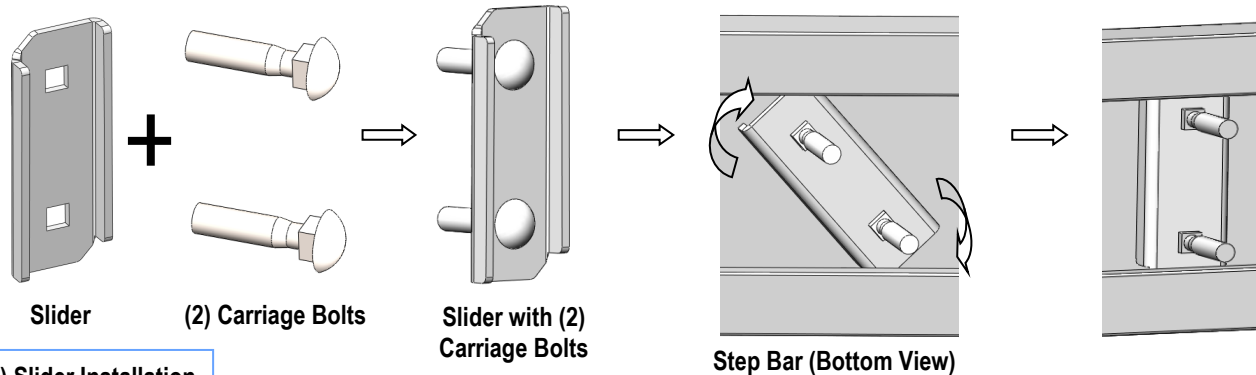
Level and adjust the Step Bar and fully tighten all hardware.

Repeat **Steps 1-5** for the other side Step Bar installation. **The installation is completed!!!**

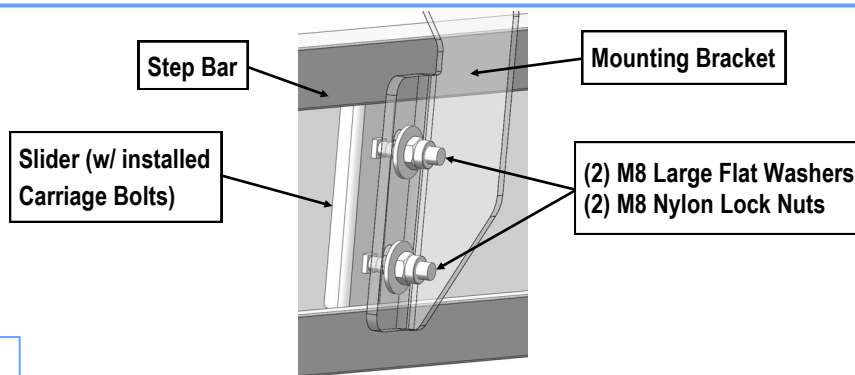
Attention

Do periodic inspections to the installation to make sure that all hardware is secure and tight.

In order to protect your bars/boards, please use mild soap/non-abrasive products for cleaning only.



(Fig 4) Slider Installation



(Fig 5) Step Bar Installation