

# iBoard®



Scan for  
Installation Video

## iBoard® by APS

PART#: IB-P039Y&H

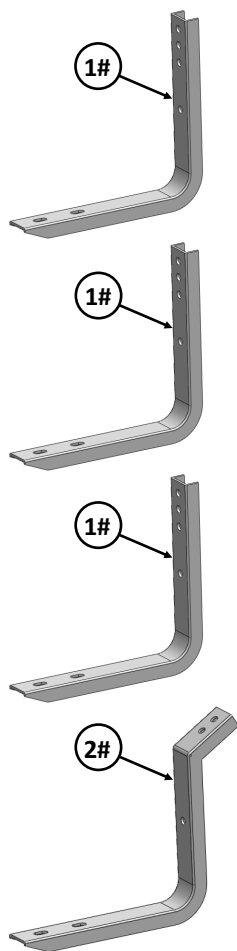
READ INSTRUCTIONS CAREFULLY BEFORE STARTING INSTALLATION. REMOVE CONTENTS FROM BOX AND VERIFY ALL PARTS ARE PRESENT. ASSISTANCE IS RECOMMENDED.

\*ROCKER PANEL MOUNT  
\*DRILLING IS REQUIRED

Fastener Size	Tightening Torque (ft-lbs)	Required
6mm	6-7	X
8mm	16-18	√
10mm	31-32	X
12mm	56-58	X
14mm	92-94	X

### PART LIST

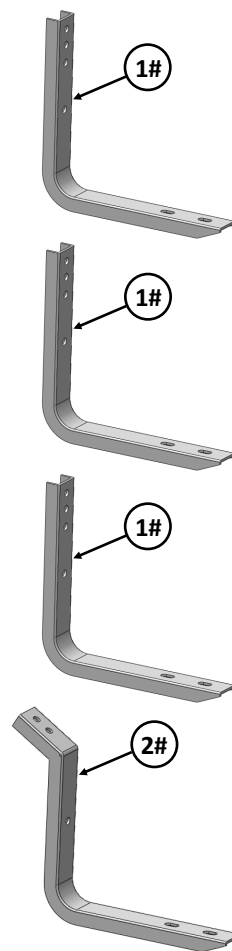
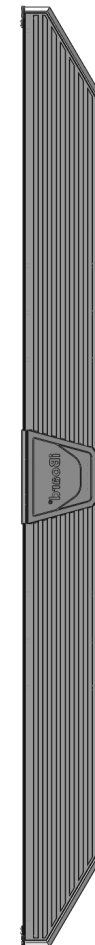
#### Driver Side Step Bar



Front



#### Passenger Side Step Bar



Customer Support: [info@iboardauto.com](mailto:info@iboardauto.com)

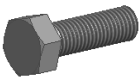


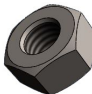
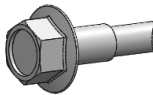


Scan for  
Installation Video

## Hardware Package A (For Bracket Installation)

Item	QTY	Description	Item	QTY	Description
1#	6	Mounting Brackets	5#	16	M8 Flat Washers
2#	2	Rear Mounting Brackets	6#	8	M8 Lock Washers
3#	6	Backing Plates	7#	8	M8 Hex Nuts
4#	8	M8X1.25-20mm Hex Bolts	8#	16	ST6.3-22mm Hex Self Tapping Screws

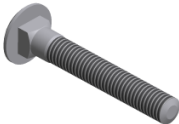



  

				
4 #	5 #	6 #	7 #	8 #

## Hardware Package B (For Step Bar Installation)

Item	QTY	Description	Item	QTY	Description
1#	16	M8X1.25-35mm Carriage Bolts	3#	16	M8 Nylon Lock Nuts
2#	16	M8 Large Flat Washers	4#	8	Sliders (Packed with Mounting Brackets)

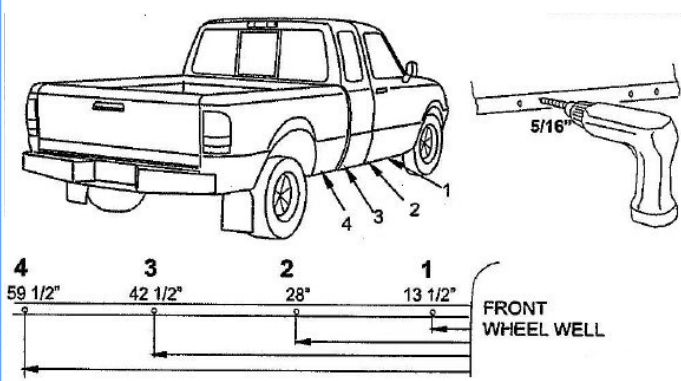
  

			
1 #	2 #	3 #	4 #

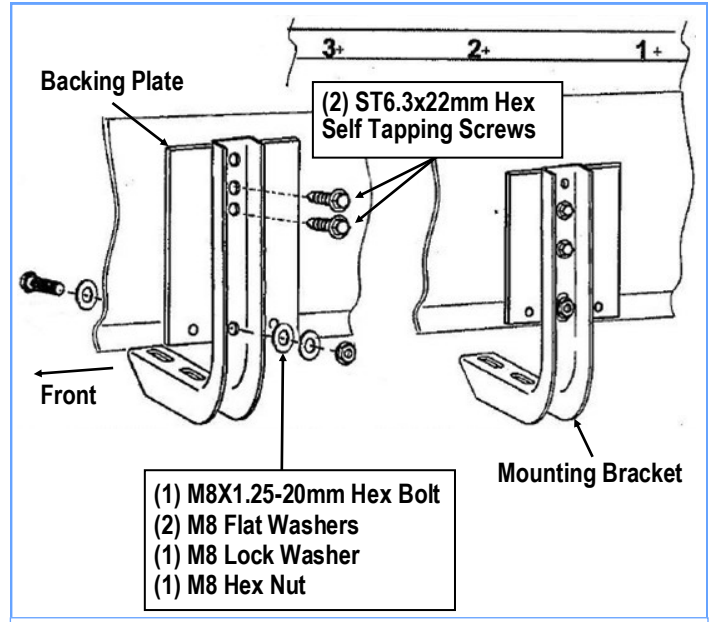


## STEP 1

Start installing from the passenger side of the vehicle, drill 5/16" holes on pinch weld and body panel as shown (Both sides), (Fig 1).



(Fig 1) Passenger Side Mounting Locations



(Fig 2) Passenger Front Mounting Bracket Installation  
(2nd & 3rd Mounting Bracket Are Same)

## STEP 2

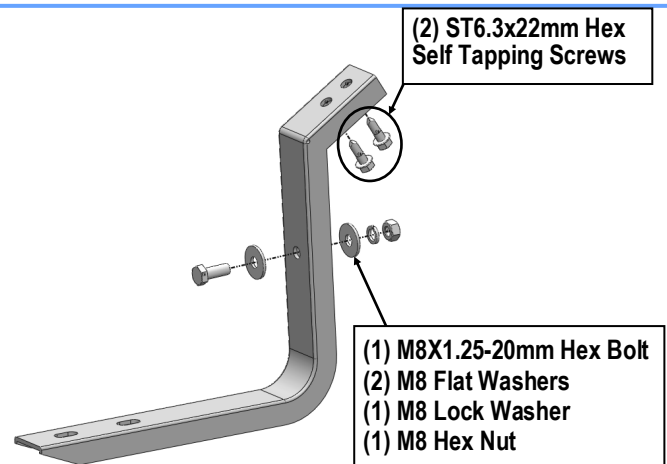
Attach Passenger Front Mounting Bracket and Backing Plate to the body panel and pinch weld with (2) ST6.3x22mm Hex Self Tapping Screws, (1) M8X1.25-20mm Hex Bolt, (2) M8 Flat Washers, (1) M8 Lock Washer and (1) M8 Hex Nut, (Fig 2). Do not fully tighten at this time.

## STEP 3

Move to passenger side 2nd & 3rd Mounting location. Repeat Step 2 to install (2) Mounting Brackets. Do not fully tighten at this time.

## STEP 4

Move to passenger side rear Mounting location. Attach Passenger Rear Mounting Bracket to vehicle with (2) ST6.3x22mm Hex Self Tapping Screws, (1) M8X1.25-20mm Hex Bolt, (2) M8 Flat Washers, (1) M8 Lock Washer and (1) M8 Hex Nut, (Fig 3). Don't fully tighten hardware at this time.



(Fig 3) Passenger Rear Mounting Bracket Installation



## STEP 5

Once all (4) Passenger side mounting brackets are installed, then proceed to the Step Bar installation. **(Figs 4 & 5)**

- (1) Select (1) Slider and (2) M8X1.25-35mm Carriage Bolts;
- (2) Install (2) M8X1.25-35mm Carriage Bolts in (1) Slider.
- (3) Slide the Slider (with carriage bolts) to the **Step Bar**.
- (4) Repeat to install the other (3) sliders to the step bar.
- (5) Attach the Step Bar (with the Sliders) onto the installed mounting brackets. Position the Sliders to the installed brackets. Secure the Step Bar to the installed Brackets by using (8) M8 Large Flat Washers and (8) M8 Nylon Lock Nuts and (4) Sliders, **(Fig 5)**. Do not fully tighten hardware at this time.

**Note:** The Sliders are packed with the Mounting Brackets.

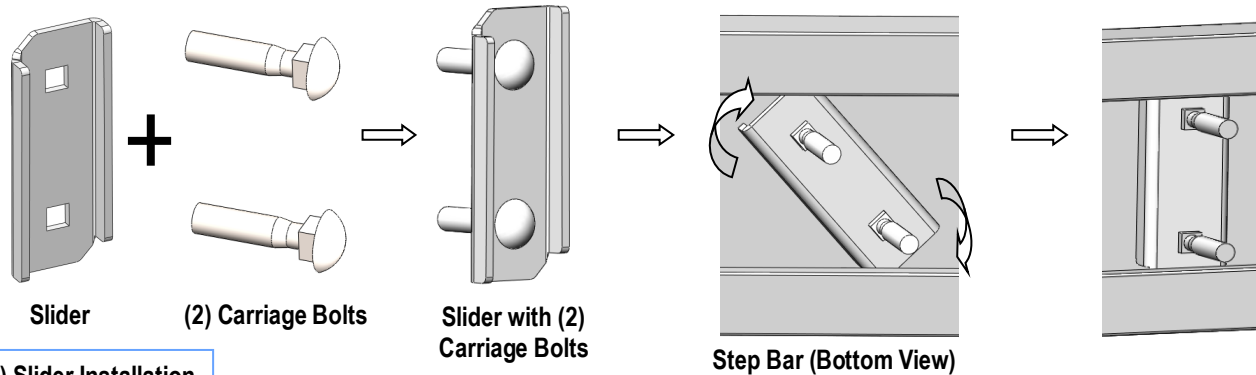
Level and adjust the Step Bar and fully tighten all hardware.

Repeat **Steps 1-5** for the other side Step Bar installation. **The installation is completed!!!**

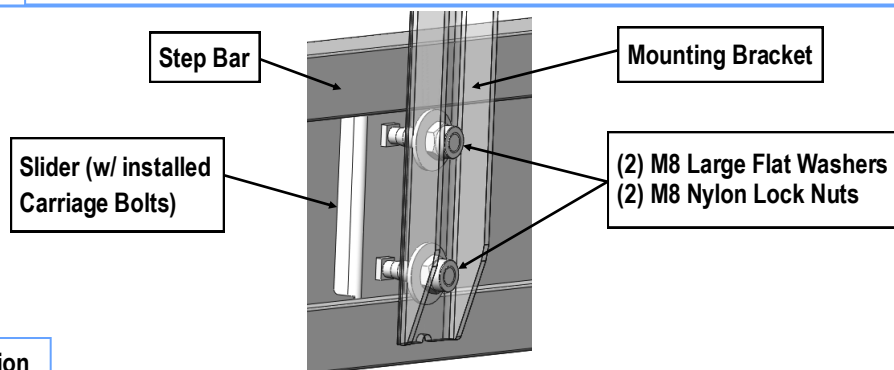
### Attention

**Do periodic inspections to the installation to make sure that all hardware is secure and tight.**

**In order to protect your bars/boards, please use mild soap/non-abrasive products for cleaning only.**



(Fig 4) Slider Installation



(Fig 5) Step Bar Installation