



iBoard® by APS

PART#: IB-P028Y&H

READ INSTRUCTIONS CAREFULLY BEFORE STARTING INSTALLATION. REMOVE CONTENTS FROM BOX AND VERIFY ALL PARTS ARE PRESENT. ASSISTANCE IS RECOMMENDED.

*ROCKER PANEL MOUNT
*NO DRILLING REQUIRED

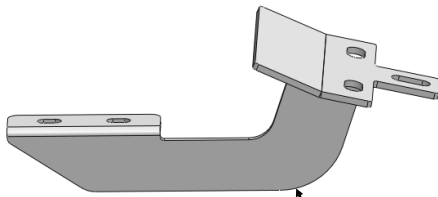
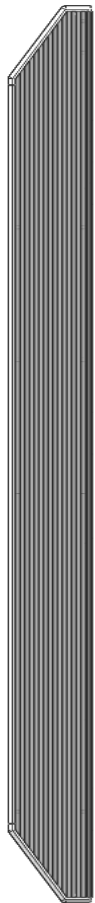
Fastener Size	Tightening Torque (ft-lbs)	Required
6mm	6-7	X
8mm	16-18	√
10mm	31-32	√
12mm	56-58	X
14mm	92-94	X

PART LIST

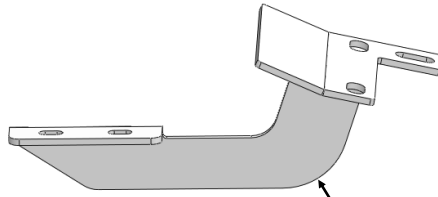
Driver Side Step Bar

Front
↑

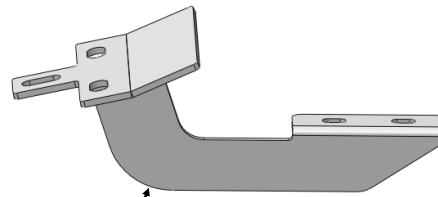
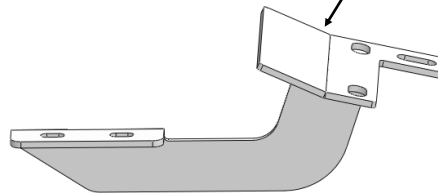
Passenger Side Step Bar



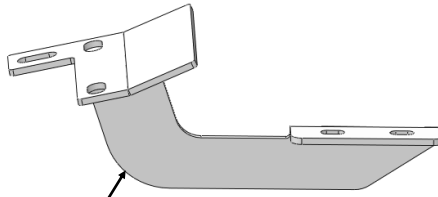
Driver Front Mounting Bracket (DFM)



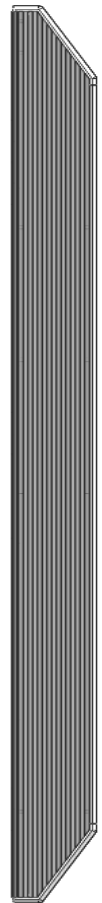
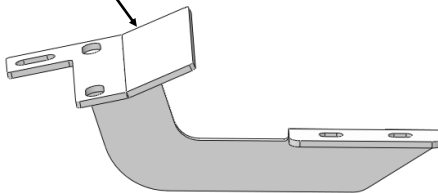
Driver Center/Rear Mounting Bracket (DCM/DRM)



Passenger Front Mounting Bracket (PFM)



Passenger Center/Rear Mounting Bracket (PCM/PRM)

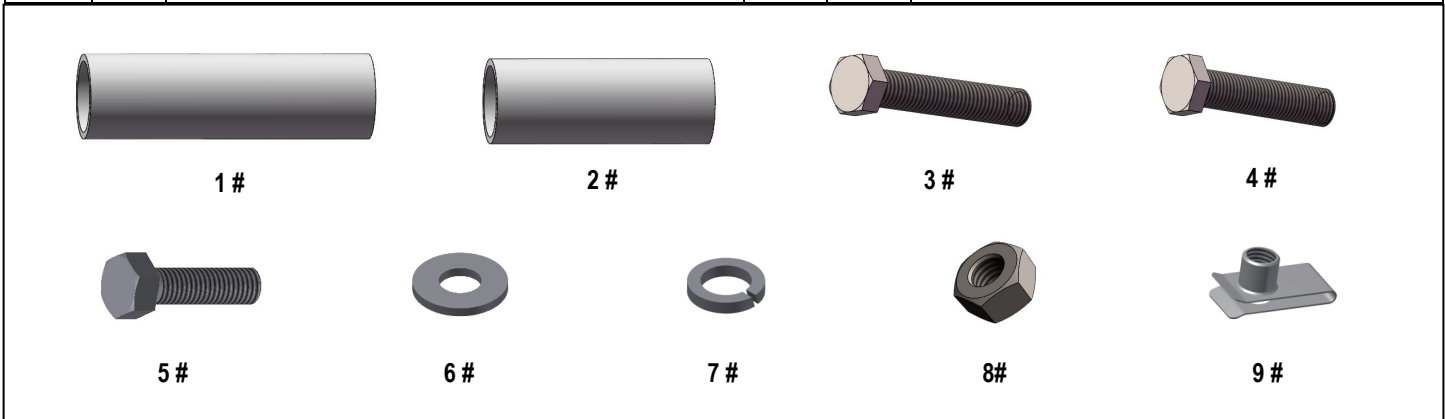


Note: *Driver Center / Rear Mounting Bracket are universal
*Passenger Center / Rear Mounting Bracket are universal



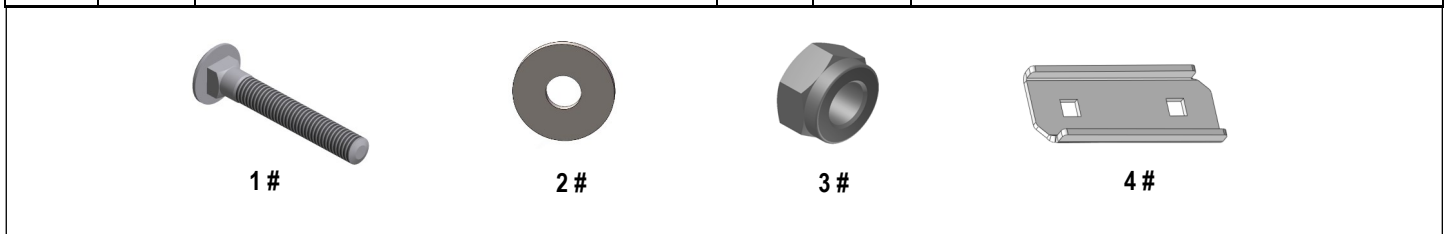
Hardware Package A (For Bracket Installation)

Item	QTY	Description	Item	QTY	Description
1#	4	85mm Tube Spacers	6#	30	M10 Flat Washers
2#	2	65mm Tube Spacers	7#	18	M10 Lock Washers
3#	4	M10X1.5-120mm Hex Bolts	8#	12	M10 Hex Nuts
4#	2	M10X1.5-100mm Hex Bolts	9#	6	M10 Clip Nuts
5#	12	M10X1.5-30mm Hex Bolts			



Hardware Package B (For Step Bar Installation)

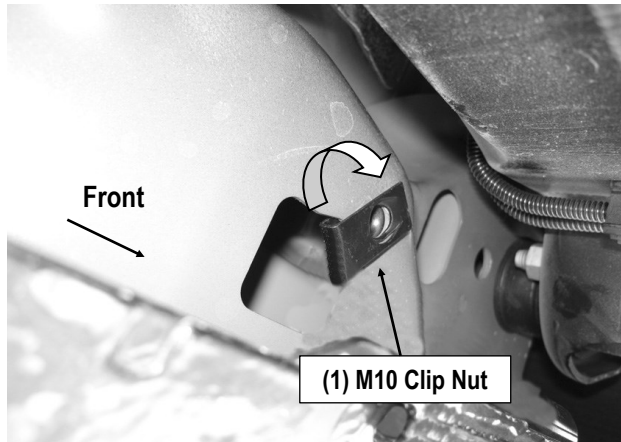
Item	QTY	Description	Item	QTY	Description
1#	12	M8X1.25-35mm Carriage Bolts	3#	12	M8 Nylon Lock Nuts
2#	12	M8 Large Flat Washers	4#	6	Sliders (Packed with Mounting Brackets)





STEP 1

Start installation from the driver side front of the vehicle. From underside of vehicle, locate the (2) front factory holes on the driver side floor panel located by the front tire. With the threaded nut facing up, insert (1) M10 Clip Nut through larger hole. Orient M10 Clip Nut to engage in the smaller hole, **(Fig 1)**.



(Fig 1) Insert (1) M10 Clip Nut

STEP 2

Select the Driver Front Mounting Bracket (**DFM**). Attach the Mounting Bracket to pinch weld with (2) M10X1.5-30mm Hex Bolts, (4) M10 Flat Washers, (2) M10 Lock Washers and (2) M10 Hex Nuts, **(Figs 2 & 4)**. Do not fully tighten hardware at this time.

STEP 3

Place (1) short 65mm Tube Spacer between the tab on the Driver Front Mounting Bracket and the installed M10 Clip Nut.

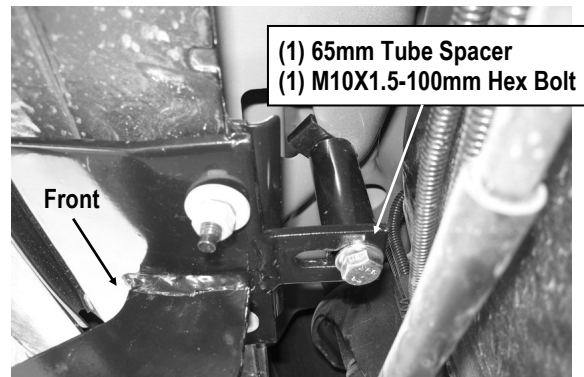
Attach the Driver Front Mounting Bracket to the installed Clip Nut with (1) M10X1.5-100mm Hex Bolt, (1) M10 Flat Washer and (1) M10 Lock Washer, **(Figs 3 & 4)**. Do not fully tighten at this time.

- (2) M10X1.5-30mm Hex Bolts
- (4) M10 Flat Washers
- (2) M10 Lock Washers
- (2) M10 Hex Nuts



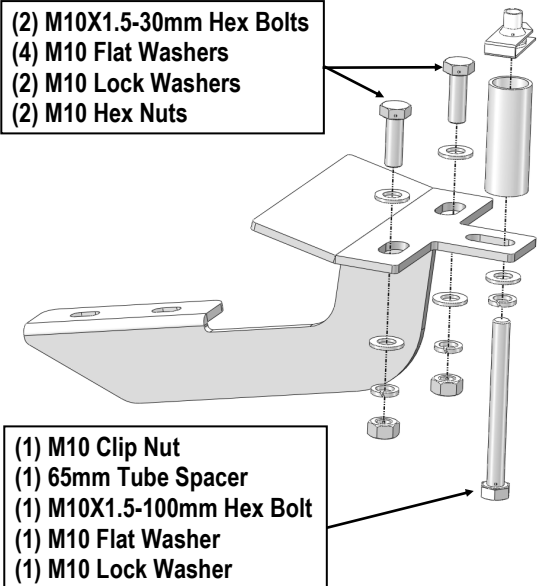
(Fig 2) Driver Front Mounting Bracket Installation

- (1) 65mm Tube Spacer
- (1) M10X1.5-100mm Hex Bolt



(Fig 3) Driver Front Mounting Bracket Installation

- (2) M10X1.5-30mm Hex Bolts
- (4) M10 Flat Washers
- (2) M10 Lock Washers
- (2) M10 Hex Nuts



(Fig 4) Driver Front Mounting Bracket Installation



STEP 4

Move to the driver side center mounting location. Repeat **Steps 2 – 3** for Driver Center Mounting Bracket. Installation.

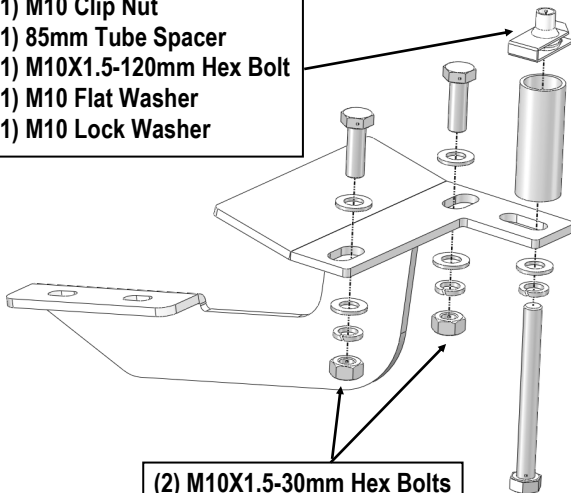
NOTE: * For some models, M10 Clip Nut is required filing smaller to insert through square hole on the center mounting location due to factory hole too small, (**Fig 5**).

* (1) 85mm Tube Spacer and (1) M10X1.5-120mm Hex Bolt will be used to install the Driver Center and Rear Mounting Brackets, (**Fig 6**). Do not fully tighten at this time.



(Fig 5) File The M10 Clip Nut
(On Center & Rear Mounting Locations)

(1) M10 Clip Nut
(1) 85mm Tube Spacer
(1) M10X1.5-120mm Hex Bolt
(1) M10 Flat Washer
(1) M10 Lock Washer



(2) M10X1.5-30mm Hex Bolts
(4) M10 Flat Washers
(2) M10 Lock Washers
(2) M10 Hex Nuts

(Fig 6) Driver Center Mounting Bracket (DCM) Installation

STEP 5

Move to the driver side rear mounting location. Repeat **Step 4** for Driver Rear Mounting Brackets Installation.

NOTE: For 07-08 Explorer Sport Trac:

It is required to switch the Rear Mounting Brackets. The **Passenger Rear Mounting Bracket** will mount on the **driver side rear location**, and the **Driver Rear Mounting Bracket** will mount on the **passenger side rear location**.

STEP 6

Once all (3) Driver side mounting brackets are assembled, then proceed to the Step Bar installation. (**Figs 7 & 8**)

- (1) Select (1) Slider and (2) M8X1.25-35mm Carriage Bolts;
- (2) Install (2) M8X1.25-35mm Carriage Bolts in (1) Slider.
- (3) Slide the Slider (with carriage bolts) to the **Step Bar**.
- (4) Repeat to install the other (2) sliders to the step bar.

(5) Attach the Step Bar (with the Sliders) onto the installed mounting brackets. Position the Sliders to the installed brackets. Secure the Step Bar to the installed Brackets by using (6) M8 Large Flat Washers and (6) M8 Nylon Lock Nuts and (3) Sliders, (**Fig 8**). Do not fully tighten hardware at this time.

Note: The Sliders are packed with the Mounting Brackets.

Level and adjust the Step Bar and fully tighten all hardware.

Repeat **Steps 1-6** for the other side Step Bar installation. **The installation is completed!!!**

Attention

Do periodic inspections to the installation to make sure that all hardware is secure and tight.

In order to protect your bars/boards, please use mild soap/non-abrasive products for cleaning only.

