

# iBoard®



Scan for  
Installation Video

## iBoard® by APS

PART#: IB-P027Y&H

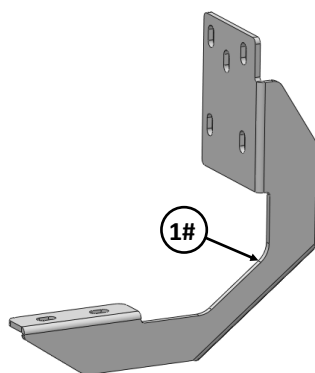
READ INSTRUCTIONS CAREFULLY BEFORE STARTING INSTALLATION. REMOVE CONTENTS FROM BOX AND VERIFY ALL PARTS ARE PRESENT. ASSISTANCE IS RECOMMENDED.

\*ROCKER PANEL MOUNT  
\*NO DRILLING REQUIRED

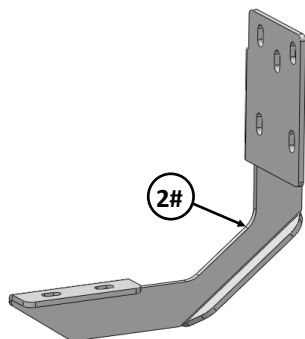
Fastener Size	Tightening Torque (ft-lbs)	Required
6mm	6-7	X
8mm	16-18	√
10mm	31-32	X
12mm	56-58	X
14mm	92-94	X

### PART LIST

#### Driver Side Step Bar



1#

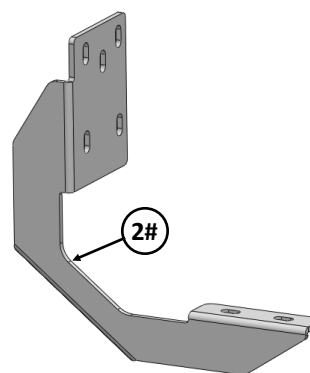


2#

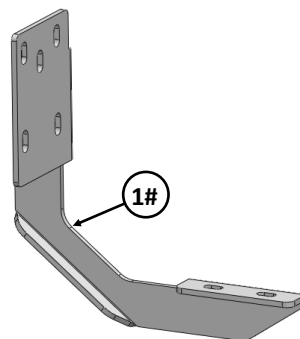
#### Front



#### Passenger Side Step Bar



2#



1#

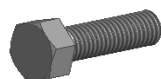
Customer Support: [info@iboardauto.com](mailto:info@iboardauto.com)



Scan for  
Installation Video

## Hardware Package A (For Bracket Installation)

Item	QTY	Description	Item	QTY	Description
1#	2	Driver Front / Passenger Rear Mounting Brackets	4#	12	M8 Large Flat Washers
2#	2	Passenger Front / Driver Rear Mounting Brackets	5#	12	M8 Lock Washers
3#	12	M8X1.25-30 Hex Bolts	6#	8	M8 Clip Nuts



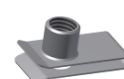
3 #



4 #



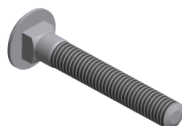
5 #



6 #

## Hardware Package B (For Step Bar Installation)

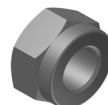
Item	QTY	Description	Item	QTY	Description
1#	8	M8X1.25-35mm Carriage Bolts	3#	8	M8 Nylon Lock Nuts
2#	8	M8 Large Flat Washers	4#	4	Sliders (Packed with Mounting Brackets)



1 #



2 #



3 #



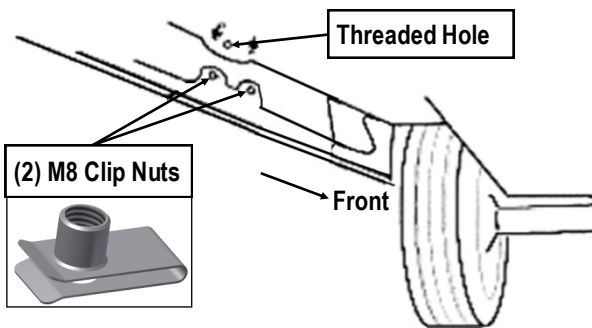
4 #



## STEP 1

Start installation from the driver side front of the vehicle. Locate on the backside of the rocker panel (3) mounting holes where the plastic fascia is cut out. Select (2) M8 Clip Nuts, line up the Clip Nuts with the holes. Locate a threaded hole above the clip nuts on the rocker panel. If equipped, remove plug to expose threaded hole.

**NOTE:** Threaded nut on Clip nut must face inside of the side panel, (Fig 1).

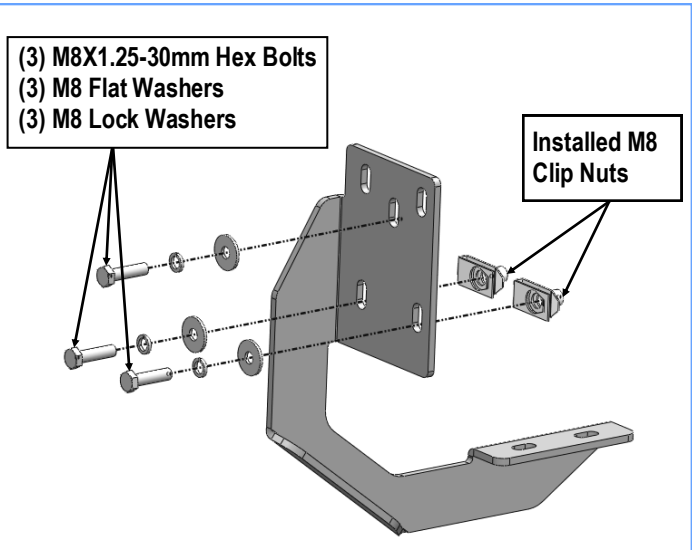


(Fig 1) Driver Side Front Mounting Bracket Installation

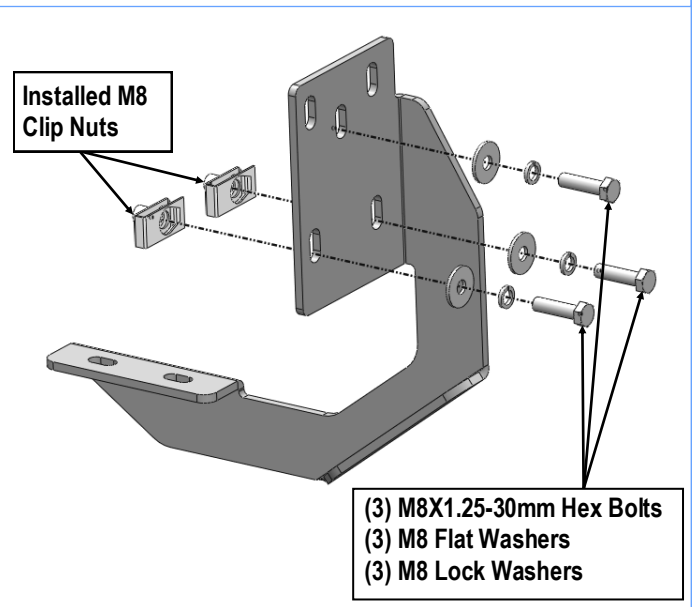
## STEP 2

Attach the Driver Front Bracket to the installed M8 Clip Nuts with the included (2) M8X1.25-30mm Hex Bolts, (2) M8 Lock Washers and (2) M8 Large Flat Washers; to the threaded hole using (1) M8X1.25-30mm Hex Bolt, (1) M8 Lock Washers and (1) M8 Large Flat Washer, (Fig 2). Do not fully tighten at this time.

**Note:** Driver Front Mounting Bracket and Passenger Rear Mounting Bracket are universal.



(Fig 2) Driver Front Mounting Bracket Installation



(Fig 3) Driver Rear Mounting Bracket Installation

## STEP 3

Next, move to the Driver Side Rear Mounting Location, select a Driver Rear Mounting Bracket, repeat **Steps 1-2** to install the rear bracket (Fig 3). Do not fully tighten hardware at this time.

**Note:** Driver Rear Mounting Bracket and Passenger Front Mounting Bracket are universal.



## STEP 4

Once all (2) Driver side mounting brackets are installed, then proceed to the Step Bar installation. (Figs 4 & 5)

- (1) Select (1) Slider and (2) M8X1.25-35mm Carriage Bolts;
- (2) Install (2) M8X1.25-35mm Carriage Bolts in (1) Slider.
- (3) Slide the Slider (with carriage bolts) to the **Step Bar**.
- (4) Repeat to install the other (1) slider to the step bar.
- (5) Attach the Step Bar (with the Sliders) onto the installed mounting brackets. Position the Sliders to the installed brackets. Secure the Step Bar to the installed Brackets by using (4) M8 Large Flat Washers and (4) M8 Nylon Lock Nuts and (2) Sliders, (Fig 5). Do not fully tighten hardware at this time.

**Note:** The Sliders are packed with the Mounting Brackets.

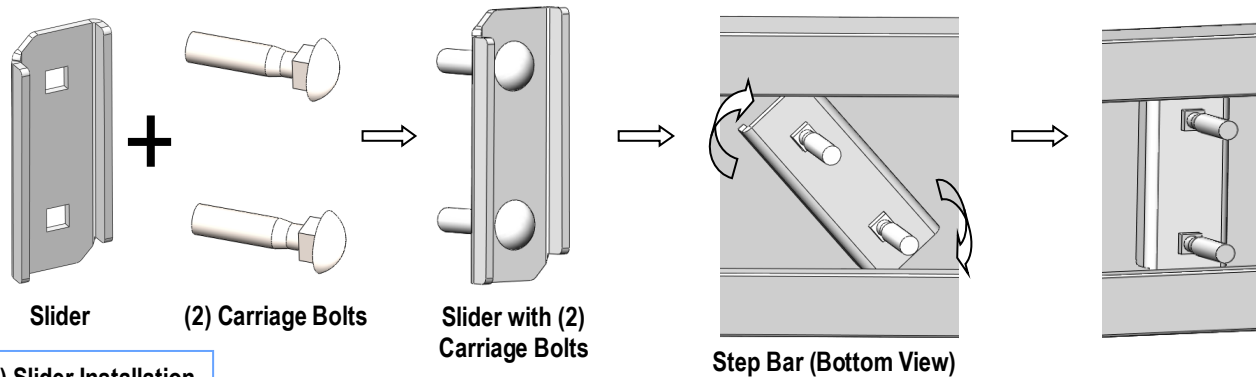
Level and adjust the Step Bar and fully tighten all hardware.

Repeat **Steps 1-4** for the other side Step Bar installation. **The installation is completed!!!**

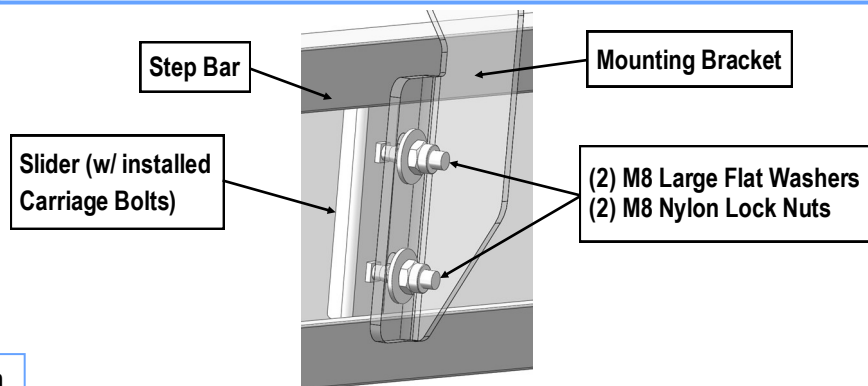
### Attention

**Do periodic inspections to the installation to make sure that all hardware is secure and tight.**

**In order to protect your bars/boards, please use mild soap/non-abrasive products for cleaning only.**



(Fig 4) Slider Installation



(Fig 5) Step Bar Installation