

iBoard®



Scan for
Installation Video

iBoard® by APS

PART#: IB-P011Y&H

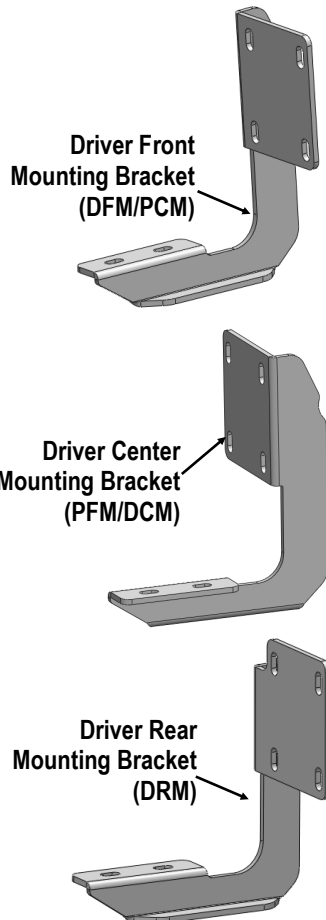
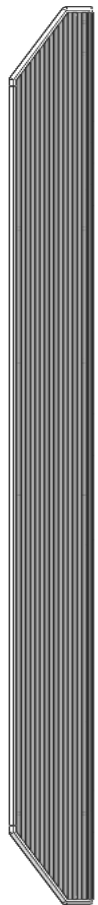
READ INSTRUCTIONS CAREFULLY BEFORE STARTING INSTALLATION. REMOVE CONTENTS FROM BOX AND VERIFY ALL PARTS ARE PRESENT. ASSISTANCE IS RECOMMENDED.

*ROCKER PANEL MOUNT
*NO DRILLING REQUIRED

Fastener Size	Tightening Torque (ft-lbs)	Required
6mm	6-7	X
8mm	16-18	√
10mm	31-32	X
12mm	56-58	X
14mm	92-94	X

PART LIST

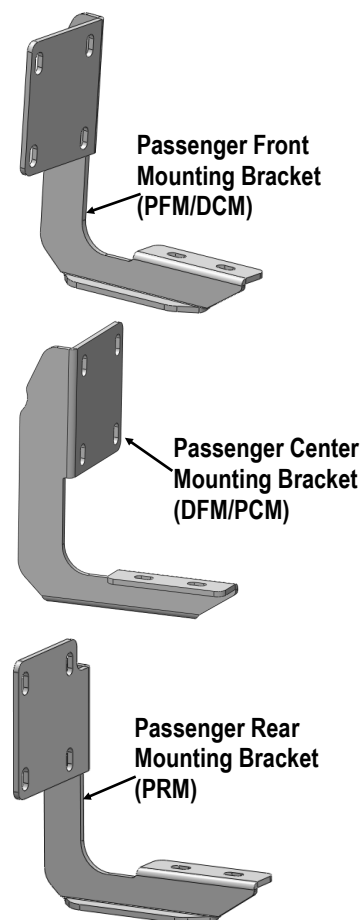
Driver Side Step Bar



Front



Passenger Side Step Bar



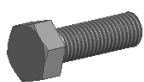
Customer Support: info@iboardauto.com



Scan for
Installation Video

Hardware Package A (For Bracket Installation)

Item	QTY	Description	Item	QTY	Description
1#	24	M8X1.25-25mm Hex Bolts	4#	12	M8 Nylon Lock Nuts
2#	36	M8 Large Flat Washers	5#	12	M8 Clip Nuts
3#	12	M8 Lock Washers			



1 #



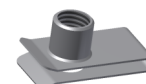
2 #



3 #



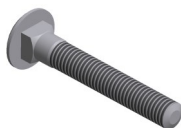
4 #



5 #

Hardware Package B (For Step Bar Installation)

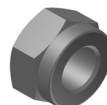
Item	QTY	Description	Item	QTY	Description
1#	12	M8X1.25-35mm Carriage Bolts	3#	12	M8 Nylon Lock Nuts
2#	12	M8 Large Flat Washers	4#	6	Sliders (Packed with Mounting Brackets)



1 #



2 #



3 #



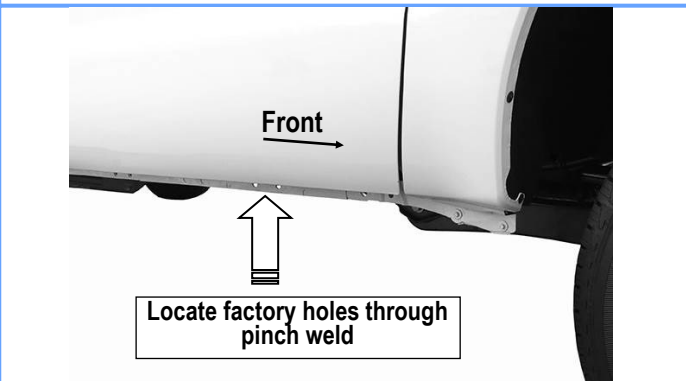
4 #



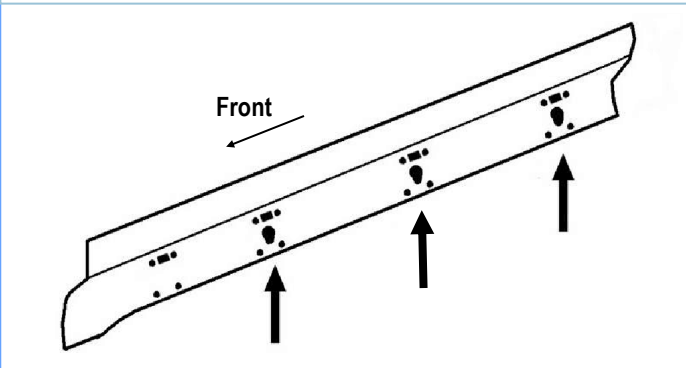
STEP 1

Start installation from the passenger side of the vehicle, locate the (3) pairs of factory holes along the pinch weld (**Figs 1 & 2**).

NOTE: There are (4) mounting locations along the inner body panel. Running Board installation will use the 2nd, 3rd and 4th mounting locations, (**Figs 1 & 2**).



(Fig 1) Passenger Side Pinch Weld Mounting Location

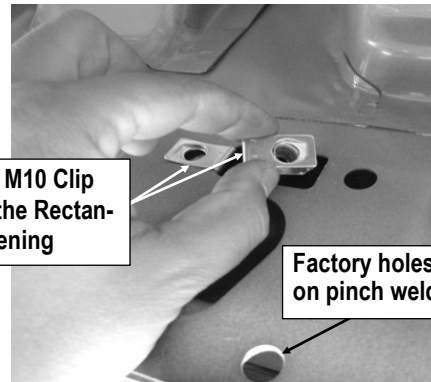


(Fig 2) Passenger Side Front Mounting Locations

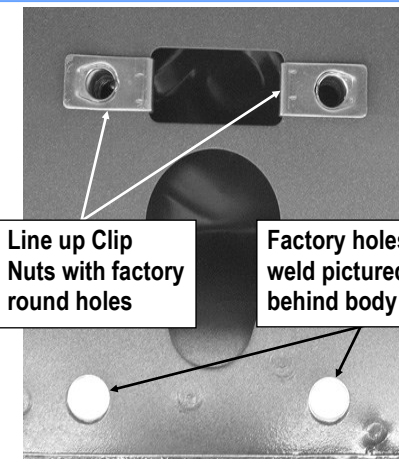
STEP 2

Select (2) M10 Clip Nuts. Insert Clip Nuts into the rectangular opening. Line up the threaded hole on the clip nuts with the round hole next to the rectangular opening.

NOTE: The threaded nut on the Clip Nut must go towards the inside of the side panel, (**Figs 3 & 4**).



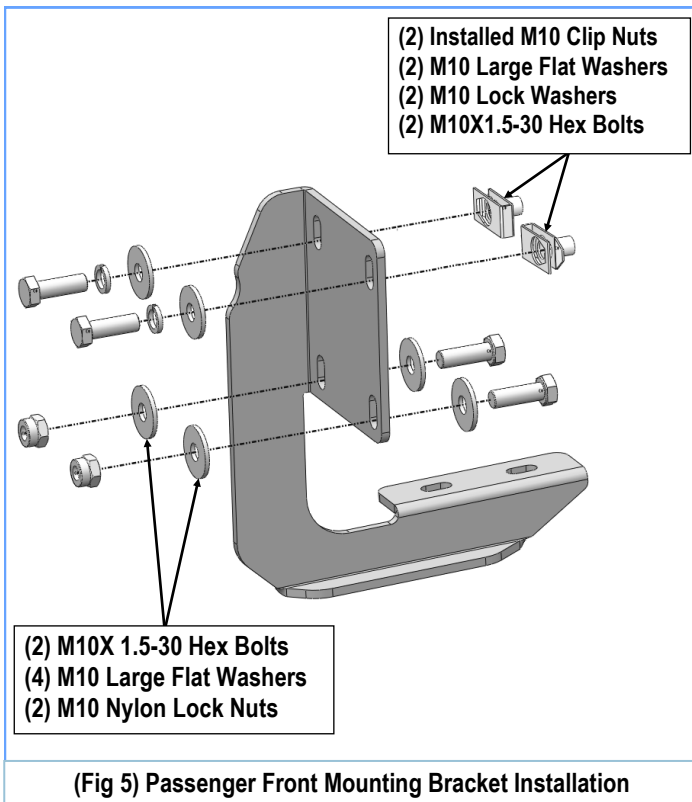
(Fig 3) Typical Mounting Location



(Fig 4) M10 Clip Nut Installed

STEP 3

Attach the Passenger Front Mounting Bracket (**PFM/DCM**) to the installed M10 Clip Nuts with (2) M10X1.5-30 Hex Bolts, (2) M10 Lock Washers, (2) M10 Large Flat Washers; and secure (2) lower holes with (2) M10X1.5-30 Hex Bolts, (4) M10 Large Flat Washers (2) M10 Nylon Lock Nuts, (**Fig 5**). Do not fully tighten hardware at this time.



STEP 5

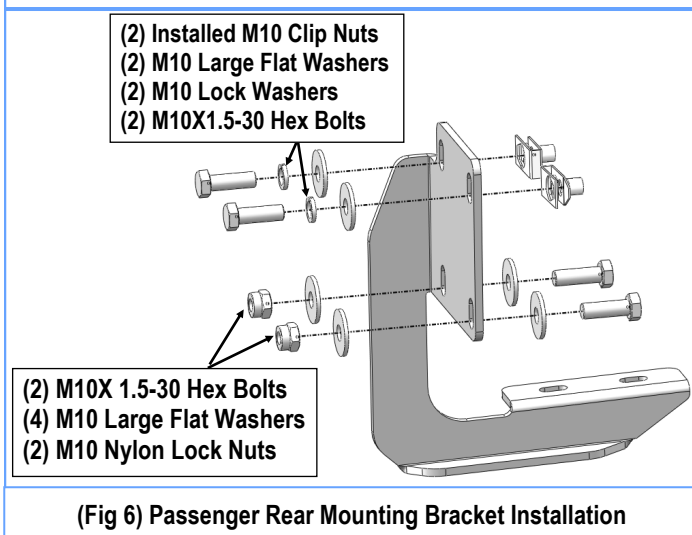
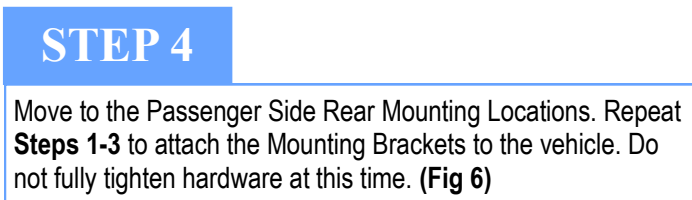
Once all (3) Passenger side mounting brackets are installed, then proceed to the Step Bar installation. (Figs 7 & 8)

- (1) Select (1) Slider and (2) M8X1.25-35mm Carriage Bolts;
- (2) Install (2) M8X1.25-35mm Carriage Bolts in (1) Slider.
- (3) Slide the Slider (with carriage bolts) to the **Step Bar**.
- (4) Repeat to install the other (2) sliders to the step bar.
- (5) Attach the Step Bar (with the Sliders) onto the installed mounting brackets. Position the Sliders to the installed brackets. Secure the Step Bar to the installed Brackets by using (6) M8 Large Flat Washers and (6) M8 Nylon Lock Nuts and (3) Sliders, (Fig 8). Do not fully tighten hardware at this time.

Note: The Sliders are packed with the Mounting Brackets.

Level and adjust the Step Bar and fully tighten all hardware.

Repeat **Steps 1-5** for the other side Step Bar installation. **The installation is completed!!!**



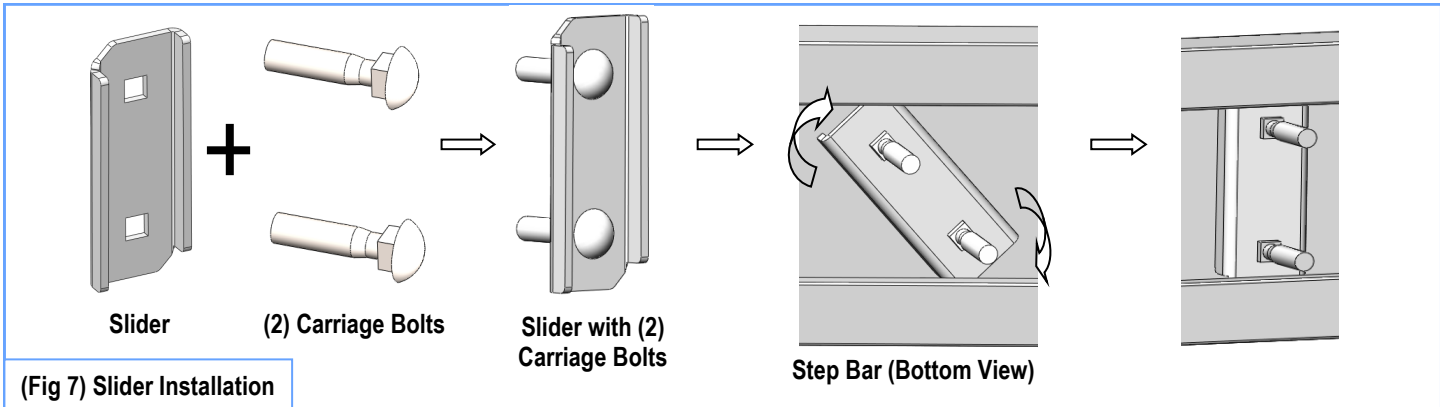
Attention

Do periodic inspections to the installation to make sure that all hardware is secure and tight.

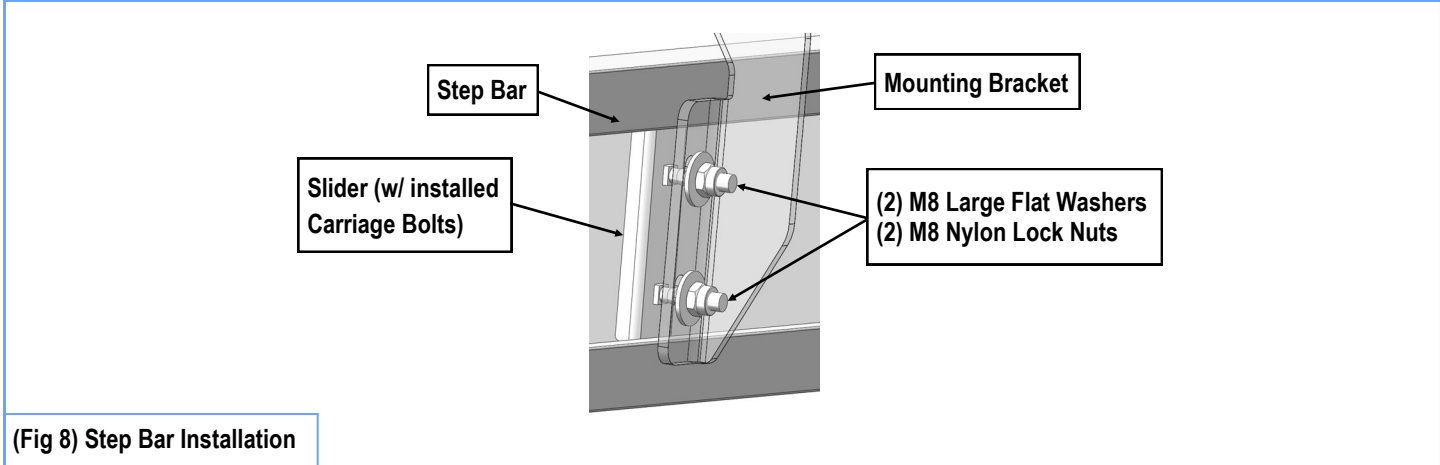
In order to protect your bars/boards, please use mild soap/non-abrasive products for cleaning only.



Scan for Installation Video



(Fig 7) Slider Installation



(Fig 8) Step Bar Installation