

iBoard®



Scan for
Installation Video

iBoard® by APS

PART#: IB-P927Y&H

READ INSTRUCTIONS CAREFULLY BEFORE STARTING INSTALLATION. REMOVE CONTENTS FROM BOX AND VERIFY ALL PARTS ARE PRESENT. ASSISTANCE IS RECOMMENDED.

*ROCKER PANEL MOUNT

*DRILLING IS REQUIRED/ TRIMMING MAYBE REQUIRED

Fastener Size	Tightening Torque (ft-lbs)	Required
6mm	6-7	√
8mm	16-18	√
10mm	31-32	√
12mm	56-58	X
14mm	92-94	X

PART LIST

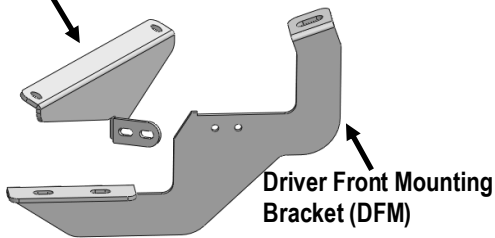
Driver Side Step Bar

Front
↑

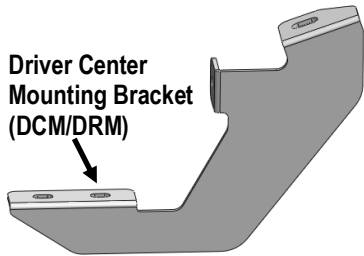
Passenger Side Step Bar



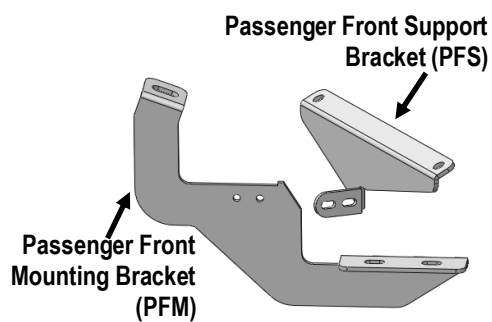
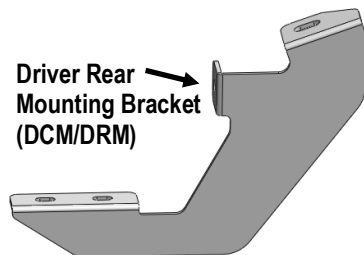
Driver Front Support Bracket (DFS)



Driver Center Mounting Bracket (DCM/DRM)

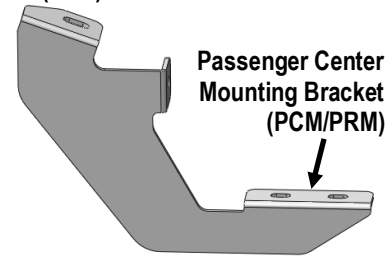


Driver Rear Mounting Bracket (DCM/DRM)

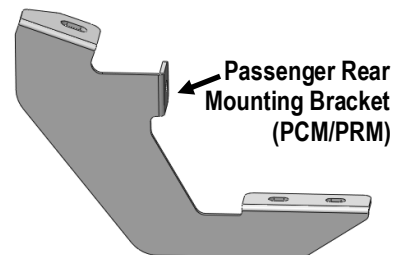


Passenger Front Support Bracket (PFS)

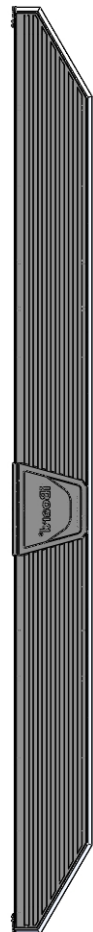
Passenger Front Mounting Bracket (PFM)



Passenger Center Mounting Bracket (PCM/PRM)



Passenger Rear Mounting Bracket (PCM/PRM)

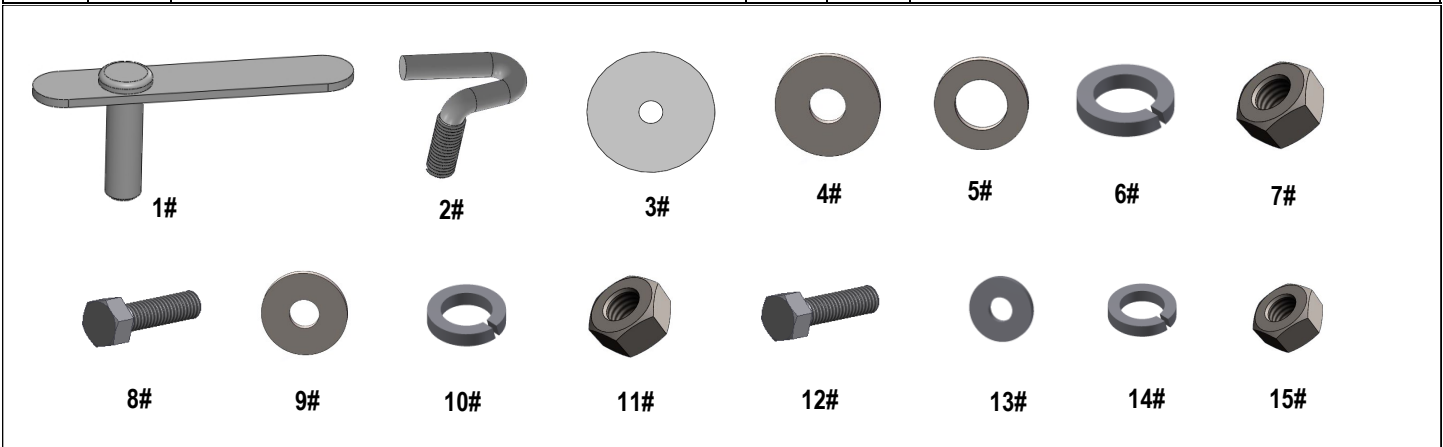


Customer Support: info@iboardauto.com



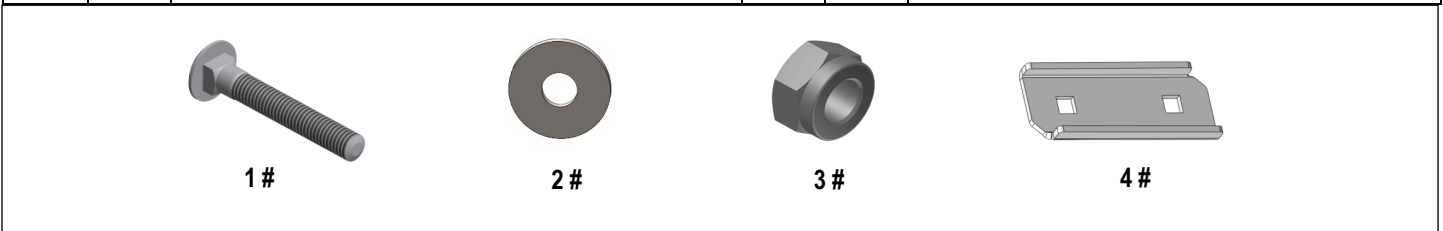
Hardware Package A (For Bracket Installation)

Item	QTY	Description	Item	QTY	Description
1#	6	M10 Bolt Plates	9#	8	M8 Large Flat Washers
2#	4	M10 J-Bolts	10#	4	M8 Lock Washers
3#	6	M10 Plastic Washers	11#	4	M8X1.25 Hex Nuts
4#	6	M10 Large Flat Washers	12#	4	M6X1-20mm Hex Bolts
5#	4	M10 Flat Washers	13#	8	M6 Large Flat Washers
6#	10	M10 Lock Washers	14#	4	M6 Lock Washers
7#	10	M10X1.5 Hex Nuts	15#	4	M6 Hex Nuts
8#	4	M8X1.25-25mm Hex Bolts			



Hardware Package B (For Stainless Steel Step Bar Installation)

Item	QTY	Description	Item	QTY	Description
1#	12	M8X1.25-35mm Carriage Bolts	3#	12	M8 Nylon Lock Nuts
2#	12	M8 Large Flat Washers	4#	6	Sliders (Packed with Step Bars)





STEP 1

Start installation from the driver side front of the vehicle. Unsecure the driver side rocker panel trim by releasing the plastic retainers along the bottom using a pair of small screwdrivers. With the doors open remove the (2) forward most retainers by sliding them down and off of the plastic rocker panel trim. (Figs 1 & 2).



Front

(Fig 1) Release Plastic Retainers Along The Body Panel

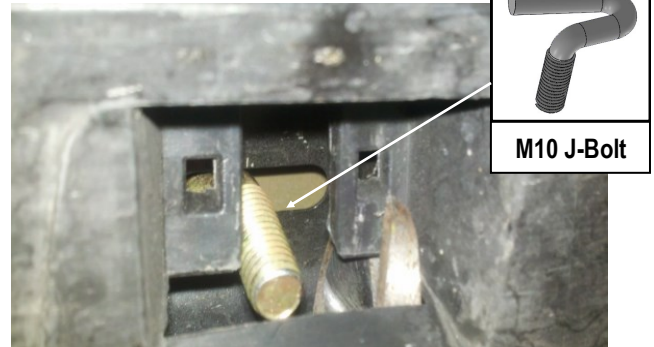


(Fig 2) Remove The (2) Forward Most Retainers

STEP 2

Insert (2) M10 J-Bolts into the (2) slots no longer covered by the plastic retainers.

Note: Slight trimming of the plastic is recommended to add clearance for nuts and washers, (Figs 3 & 4).



M10 J-Bolt

(Fig 3) Insert the M10 J-Bolt



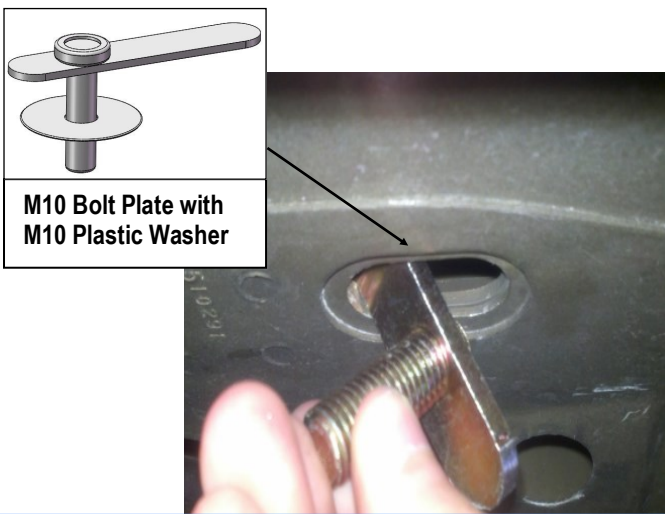
(2) M10 J-Bolts

(Fig 4) M10 J-Bolt Installed
(on Driver Side Front Mounting Location)

STEP 3

Insert (1) M10 Bolt Plate with (1) M10 Plastic Washer into the front driver side slot under the vehicle (Fig 5).

NOTE: Some models have additional sheet metal within the uni-body on the driver side front slot. Installation of bolt plate requires inserting the bolt plate threaded end first and pulling the bolt into an appropriate position with a magnet prior to installing the plastic washer.

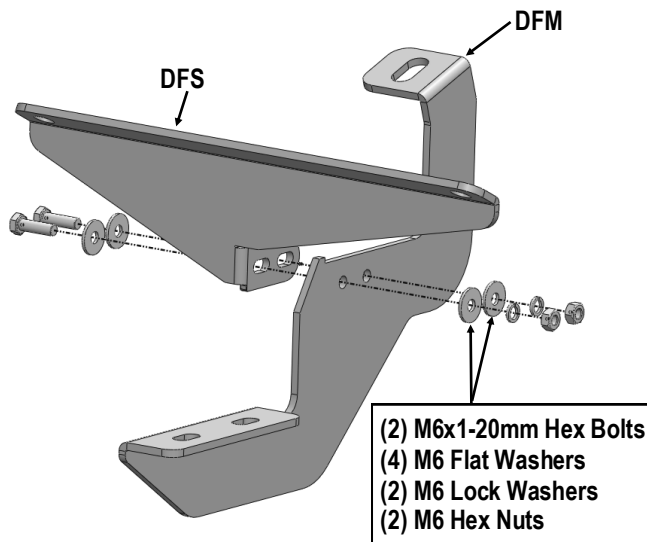


M10 Bolt Plate with
M10 Plastic Washer

(Fig 5) Insert (1) M10 Bolt Plate with (1) M10 Plastic Washer

STEP 4

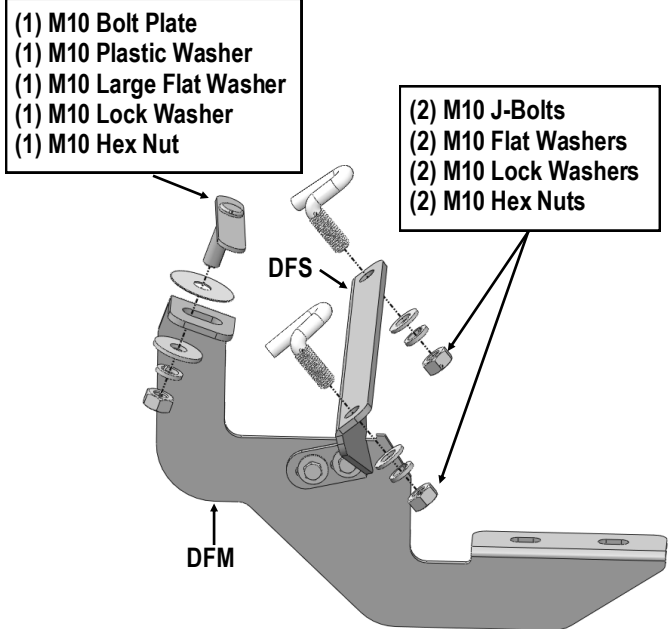
Assemble (1) Driver Front Support Bracket (**DFS**) and (1) Driver Front Mounting Bracket (**DFM**) with (2) M6X1-20mm Hex Bolts, (4) M6 Flat Washers, (2) M6 Lock Washers and (2) M6 Hex Nuts, (**Fig 6**). Do not fully tighten hardware at this time.



(Fig 6) Driver Front Mounting Bracket Assembly

STEP 5

Lift the rocker panel trim away from the body and attach the assembled Driver Side Front Mounting Bracket over the installed (2) M10 J-Bolts and M10 Bolt Plate with (1) M10 Large Flat Washer, (2) M10 Flat Washers, (3) M10 Lock Washers and (3) M10 Hex Nuts, (**Fig 7**). Do not fully tighten hardware at this time.

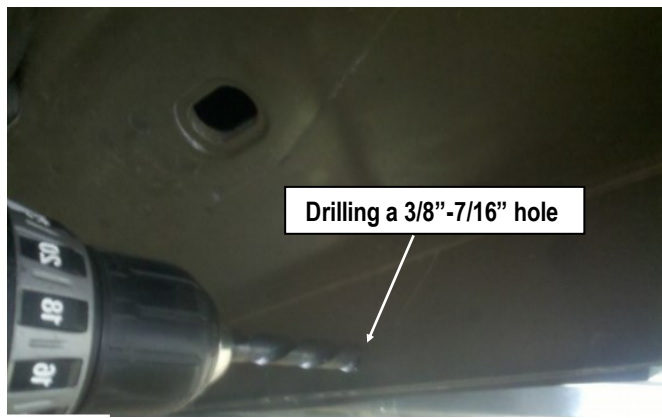


(Fig 7) Driver Front Mounting Bracket Installed

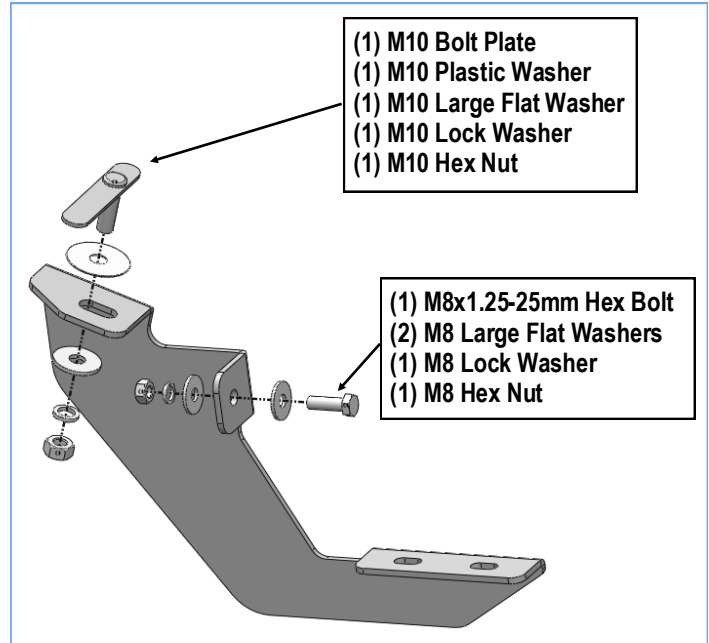
STEP 6

Move to the driver side rear mounting location of the vehicle. Insert (1) M10 Bolt Plate with (1) M10 Plastic Washer into the slot under the vehicle, (**Fig 9**).

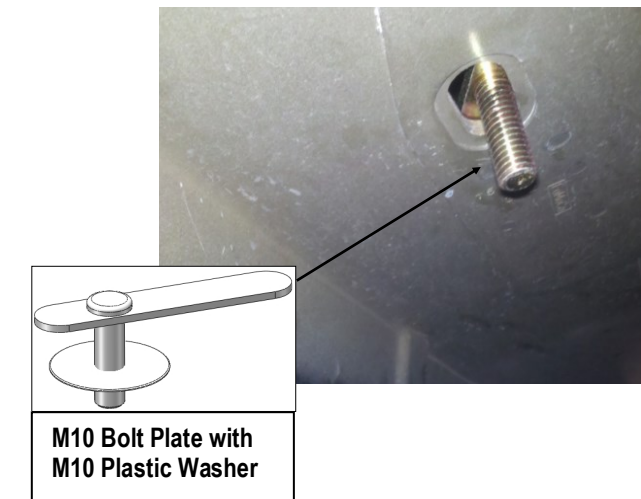
Install the Driver Rear Mounting Bracket to the installed M10 Bolt Plate temporarily, attach the rear bracket to the pinch weld, use the bracket as a template, Centers punch and drill a 8-10mm hole on the pinch weld, (**Fig 8**).



(Fig 8) Center Punch and Drill a 10-12mm Hole



(Fig 10) Driver Center Mounting Bracket Installation

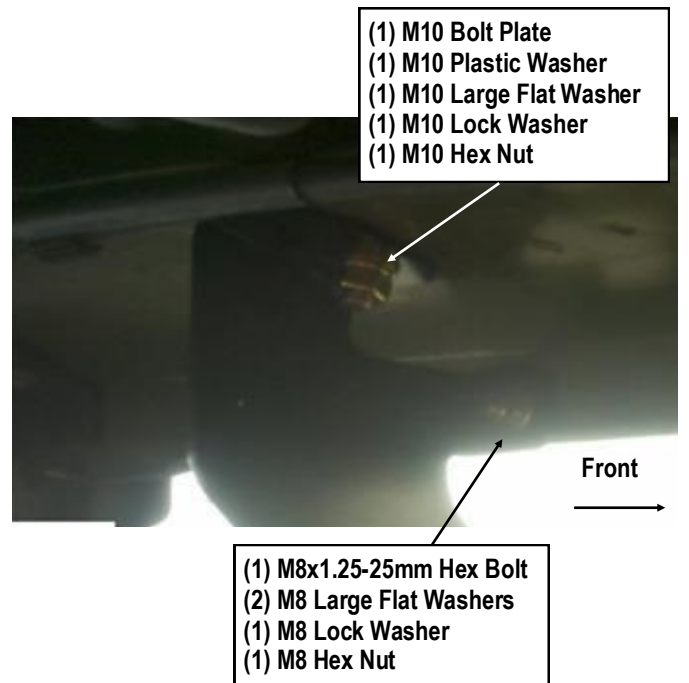


(Fig 9) Insert (1) M10 Bolt Plate with (1) M10 Plastic Washer

STEP 7

Attach (1) Driver Center Mounting Bracket (**DCM/DRM**) to the installed M10 Bolt Plate and 8-10mm drilled hole with (1) M10 Large Flat Washer, (1) M10 Lock Washer and (1) M10 Hex Nut, (1) M8x1.25-25mm Hex Bolt, (2) M8 Large Flat Washers, (1) M8 Lock Washer and (1) M8 Hex Nut, (**Figs 10 & 11**). Repeat to install Driver Rear Mounting Bracket (**DCM/DRM**). Do not fully tighten hardware at this time.

Note: Driver Center Mounting Bracket and Driver Rear Mounting Bracket are Universal .



(Fig 11) Driver Center Mounting Bracket Installed



STEP 8

Once all (3) Driver side mounting brackets are installed, then proceed to the Step Bar installation. (Figs 12 & 13)

- (1) Select (1) Slider and (2) M8X1.25-35mm Carriage Bolts;
- (2) Install (2) M8X1.25-35mm Carriage Bolts in (1) Slider.
- (3) Slide the Slider (with carriage bolts) to the **Step Bar**.
- (4) Repeat to install the other (2) sliders to the step bar.
- (5) Attach the Step Bar (with the Sliders) onto the installed mounting brackets. Position the Sliders to the installed brackets. Secure the Step Bar to the installed Brackets by using (6) M8 Large Flat Washers and (6) M8 Nylon Lock Nuts and (3) Sliders, (Fig 13). Do not fully tighten hardware at this time.

Note: The Sliders are packed with the Mounting Brackets.

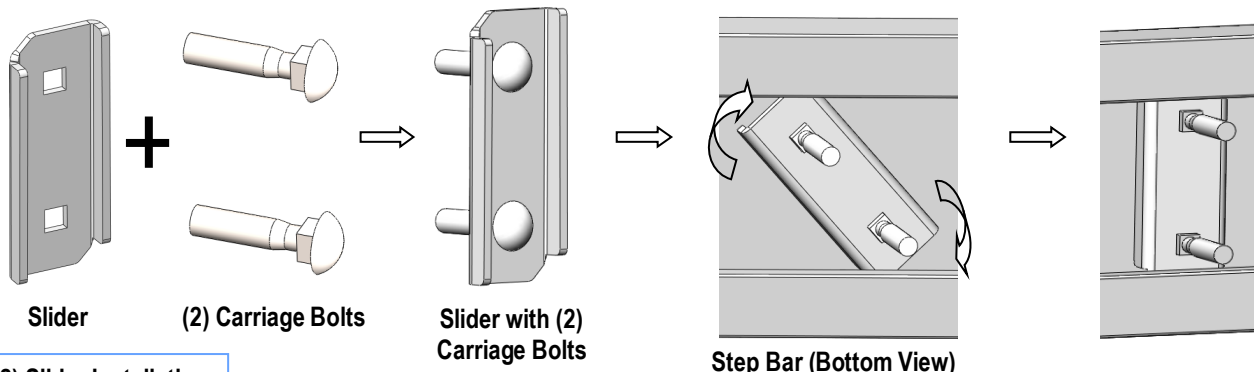
Level and adjust the Step Bar and fully tighten all hardware.

Repeat **Steps 1-8** for the other side Step Bar installation. **The installation is completed!!!**

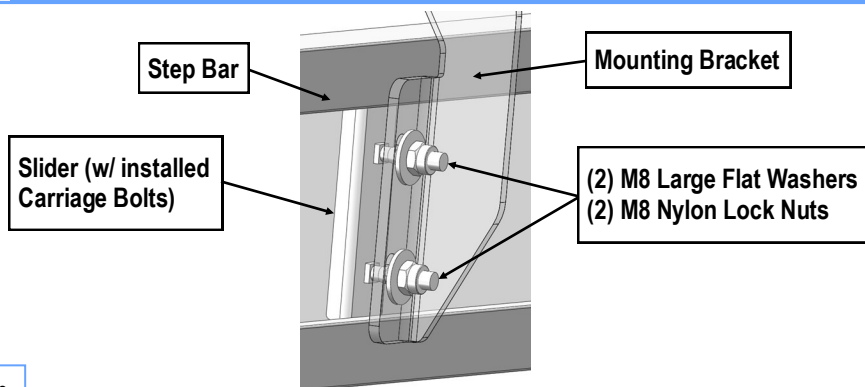
Attention

Do periodic inspections to the installation to make sure that all hardware is secure and tight.

In order to protect your bars/boards, please use mild soap/non-abrasive products for cleaning only.



(Fig 12) Slider Installation



(Fig 13) Step Bar Installation