



iBoard® by APS

PART#: IB-P311Y&H

READ INSTRUCTIONS CAREFULLY BEFORE STARTING INSTALLATION. REMOVE CONTENTS FROM BOX AND VERIFY ALL PARTS ARE PRESENT. ASSISTANCE IS RECOMMENDED.

*ROCKER PANEL MOUNT
*NO DRILLING REQUIRED

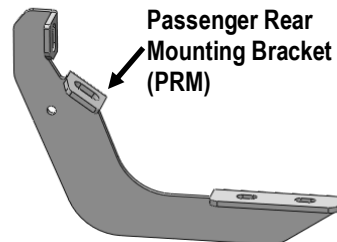
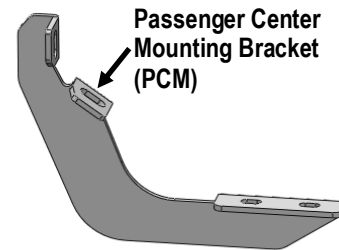
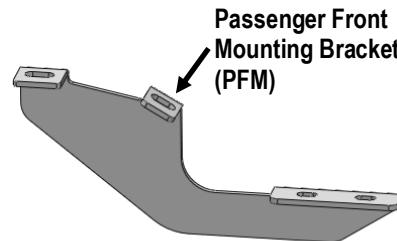
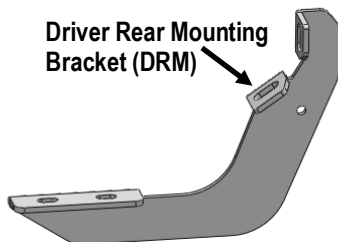
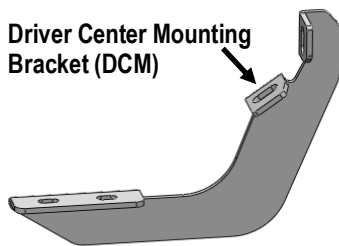
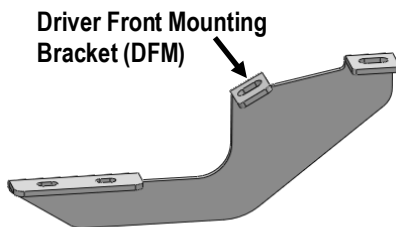
Fastener Size	Tightening Torque (ft-lbs)	Required
6mm	6-7	X
8mm	16-18	√
10mm	31-32	√
12mm	56-58	X
14mm	92-94	X

PART LIST

Driver Side Step Bar

Front
↑

Passenger Side Step Bar

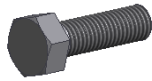




Scan for
Installation Video

Hardware Package A (For Bucket Installation)

Item	QTY	Description	Item	QTY	Description
1#	12	M10X1.5-30 Hex Bolts	3#	12	M10 Lock Washers
2#	12	M10 Flat Washers			



1#



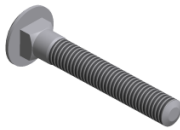
2#



3#

Hardware Package B (For Step Bar Installation)

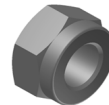
Item	QTY	Description	Item	QTY	Description
1#	12	M8X1.25-35mm Carriage Bolts	3#	12	M8 Nylon Lock Nuts
2#	12	M8 Large Flat Washers	4#	6	Sliders (Packed with Mounting Brackets)



1 #



2 #



3 #

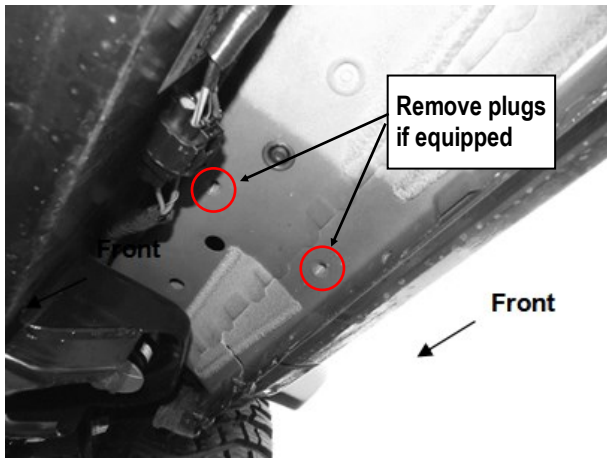


4 #



STEP 1

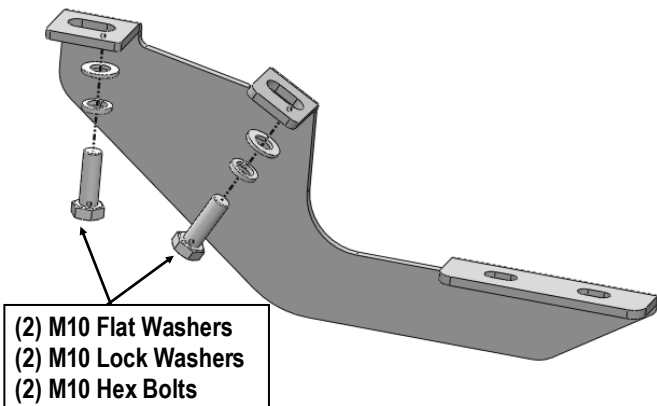
Start installation from the Passenger side front of the vehicle, locate the threaded holes on the body panel, **(Fig 1)**. Remove the plastic plugs covering the holes if equipped.



(Fig 1) Passenger Side Front Mounting Location

STEP 2

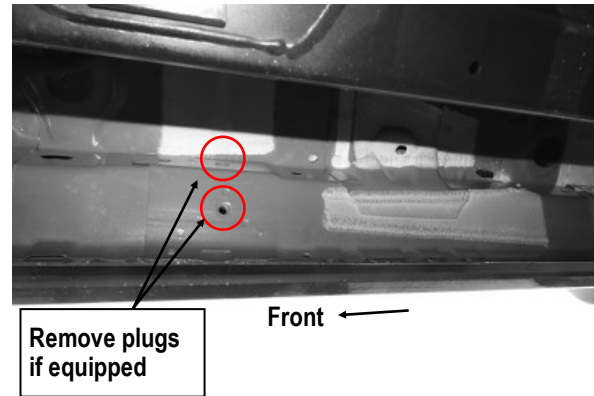
Select Passenger Front Mounting Bracket **(PFM)** and attach it to the front mounting location with (2) M10 Hex Bolts, (2) M10 Flat Washers, (2) M10 Lock Washers, **(Fig 2)**. Do not fully tighten hardware at this time.



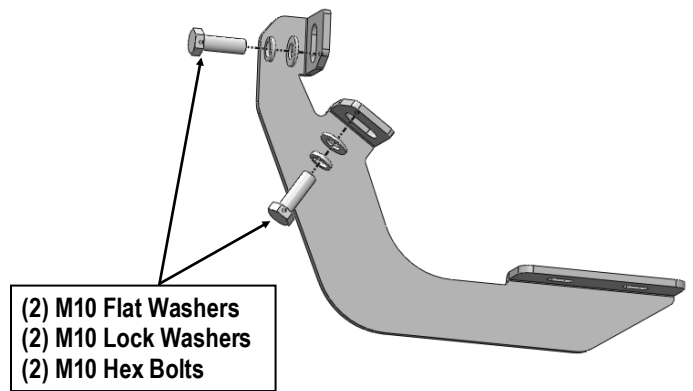
(Fig 2) Passenger Front Mounting Bracket Installation

STEP 3

Move to Passenger Side Center mounting location, **(Fig 3)**. Repeat **Steps 1 & 2** to attach Passenger Center Mounting Bracket **(PCM)** to the Center mounting location, **(Fig 4)**. Do not fully tighten hardware at this time.



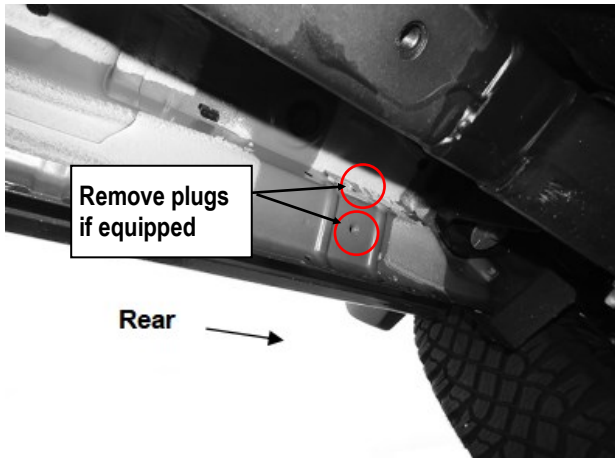
(Fig 3) Passenger Side Center Mounting Location



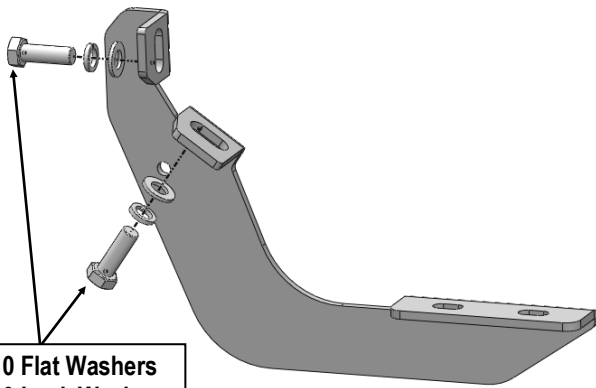
(Fig 4) Passenger Center Mounting Bracket Installation

STEP 4

Move to Passenger Side Rear mounting location, **(Fig 5)**. Repeat **Steps 1 & 2** to attach Passenger Rear Mounting Bracket **(PRM)** to the rear mounting location, **(Fig 6)**. Do not fully tighten hardware at this time.



(Fig 5) Passenger Side Rear Mounting Location



- (2) M10 Flat Washers
- (2) M10 Lock Washers
- (2) M10 Hex Bolts

(Fig 6) Passenger Rear Mounting Bracket Installation

STEP 5

Once all (3) Passenger side mounting brackets are assembled, then proceed to the Step Bar installation. (Figs 7&8)

- (1) Select (1) Slider and (2) M8X1.25-35mm Carriage Bolts;
- (2) Install (2) M8X1.25-35mm Carriage Bolts in (1) Slider.
- (3) Slide the Slider (with carriage bolts) to the **Step Bar**.
- (4) Repeat to install the other (2) sliders to the step bar.

(5) Attach the Step Bar (with the Sliders) onto the installed mounting brackets. Position the Sliders to the installed brackets. Secure the Step Bar to the installed Brackets by using (6) M8 Large Flat Washers and (6) M8 Nylon Lock Nuts and (3) Sliders, (Fig 8). Do not fully tighten hardware at this time.

Note: The Sliders are packed with the Mounting Brackets.

Level and adjust the Step Bar and fully tighten all hardware.

Repeat **Steps 1-5** for the other side Step Bar installation. **The installation is completed!!!**

Attention

Do periodic inspections to the installation to make sure that all hardware is secure and tight.

In order to protect your bars/boards, please use mild soap/non-abrasive products for cleaning only.



Scan for
Installation Video

