

iBoard®



Scan for
Installation Video

iBoard® by APS

PART#: IB-P239/P313Y&H

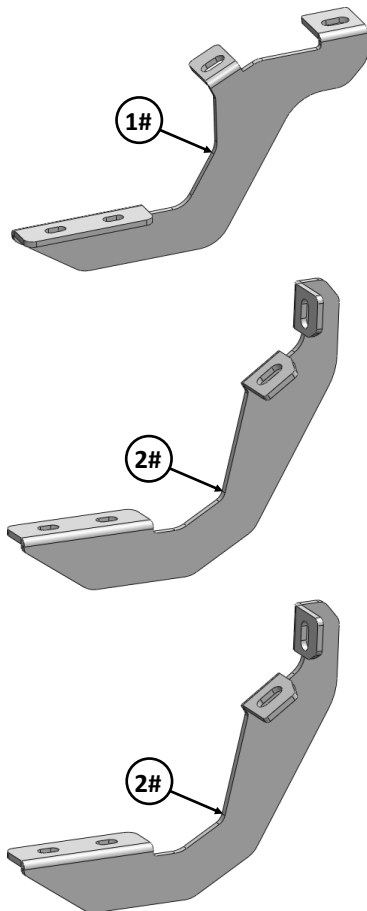
READ INSTRUCTIONS CAREFULLY BEFORE STARTING INSTALLATION. REMOVE CONTENTS FROM BOX AND VERIFY ALL PARTS ARE PRESENT. ASSISTANCE IS RECOMMENDED.

*ROCKER PANEL MOUNT
*NO DRILLING REQUIRED

Fastener Size	Tightening Torque (ft-lbs)	Required
6mm	6-7	X
8mm	16-18	√
10mm	31-32	√
12mm	56-58	X
14mm	92-94	X

PART LIST

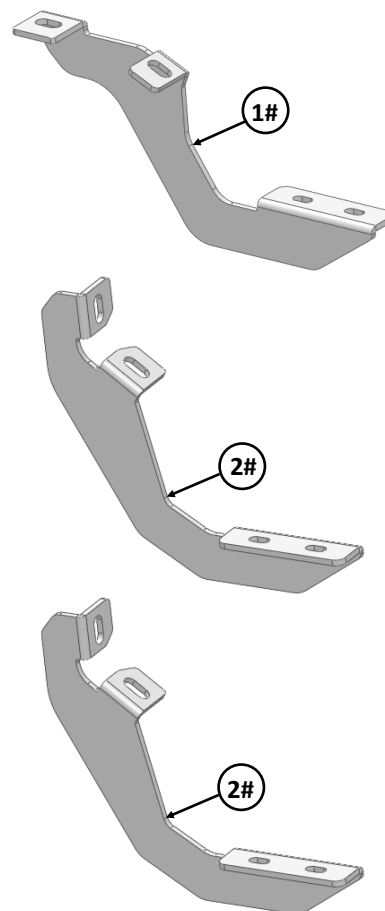
Driver Side Step Bar



Front



Passenger Side Step Bar



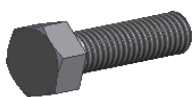
Customer Support: info@iboardauto.com



Scan for
Installation Video

Hardware Package A (For Bracket Installation)

Item	QTY	Description	Item	QTY	Description
1#	2	Driver / Passenger Front Mounting Brackets	4#	12	M10 Large Flat Washers
2#	4	Driver / Passenger Center / Rear Mounting Brackets	5#	12	M10 Lock Washers
3#	12	M10X1.5-25mm Hex Bolts			



3 #



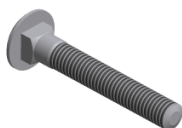
4 #



5 #

Hardware Package B (For Step Bar Installation)

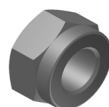
Item	QTY	Description	Item	QTY	Description
1#	12	M8X1.25-35mm Carriage Bolts	3#	12	M8 Nylon Lock Nuts
2#	12	M8 Large Flat Washers	4#	6	Sliders (Packed with Mounting Brackets)



1 #



2 #



3 #

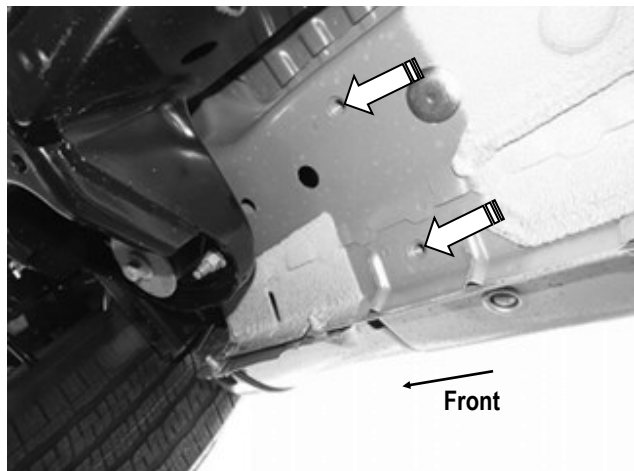


4 #



STEP 1

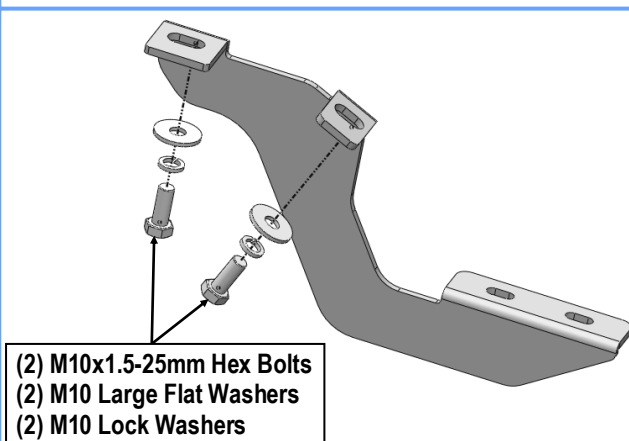
Start installation from the Passenger side front of the vehicle, locate the threaded mounting holes on the rocker panel, (Fig 1). Remove the plastic plugs covering the mounting holes.



(Fig 1) Passenger Side Front Mounting Location

STEP 2

Select (1) Passenger Front Mounting Bracket, attach to Passenger side front mounting location with (2) M10X1.5-25mm Hex Bolts, (2) M10 Large Flat Washers and (2) M10 Lock Washers (Fig 2). Do not fully tighten hardware at this time.

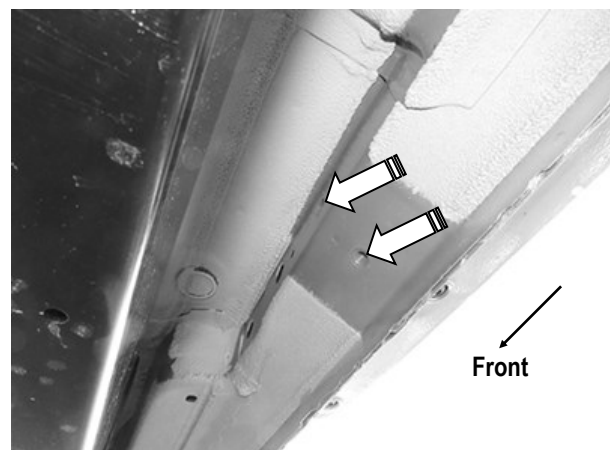


(Fig 2) Passenger Front Mounting Bracket Installation

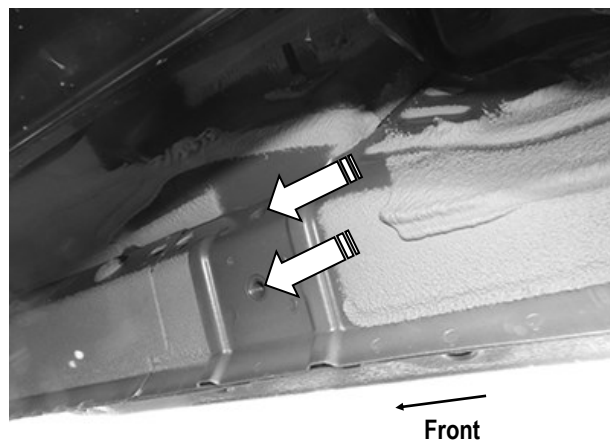
STEP 3

Move to center & rear mounting locations, (Fig 3-4). Repeat Steps 1-2 to install the Passenger Center & Rear Mounting Brackets.

Note: Passenger Center & Rear Mounting Brackets are universal .



(Fig 3) Passenger Side Center Mounting Location



(Fig 4) Passenger Side Rear Mounting Location



STEP 4

Once all (3) Passenger side mounting brackets are installed, then proceed to the Step Bar installation. (**Figs 5 & 6**)

- (1) Select (1) Slider and (2) M8X1.25-35mm Carriage Bolts;
- (2) Install (2) M8X1.25-35mm Carriage Bolts in (1) Slider.
- (3) Slide the Slider (with carriage bolts) to the **Step Bar**.
- (4) Repeat to install the other (2) sliders to the step bar.
- (5) Attach the Step Bar (with the Sliders) onto the installed mounting brackets. Position the Sliders to the installed brackets. Secure the Step Bar to the installed Brackets by using (6) M8 Large Flat Washers and (6) M8 Nylon Lock Nuts and (3) Sliders, (**Fig 6**). Do not fully tighten hardware at this time.

Note: The Sliders are packed with the Mounting Brackets.

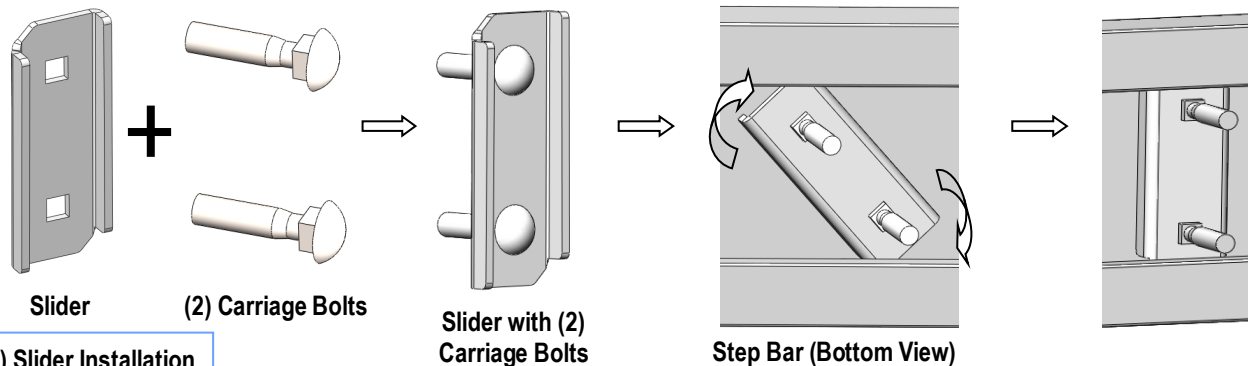
Level and adjust the Step Bar and fully tighten all hardware.

Repeat **Steps 1-4** for the other side Step Bar installation. **The installation is completed!!!**

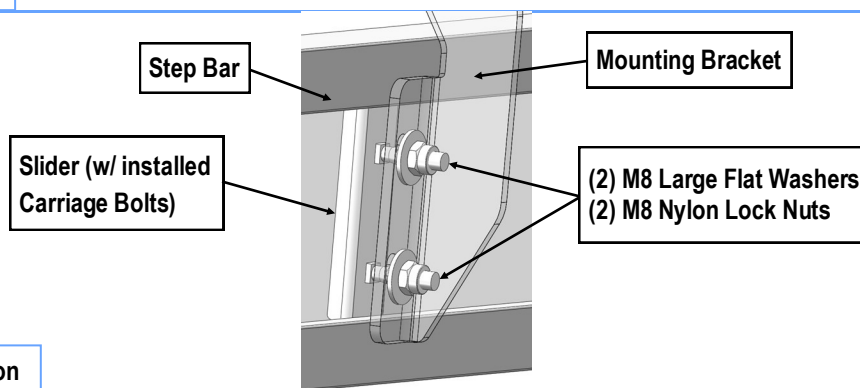
Attention

Do periodic inspections to the installation to make sure that all hardware is secure and tight.

In order to protect your bars/boards, please use mild soap/non-abrasive products for cleaning only.



(Fig 5) Slider Installation



(Fig 6) Step Bar Installation