



Scan for
Installation Video

PART#: IB-P213Y&H

iBoard® Series

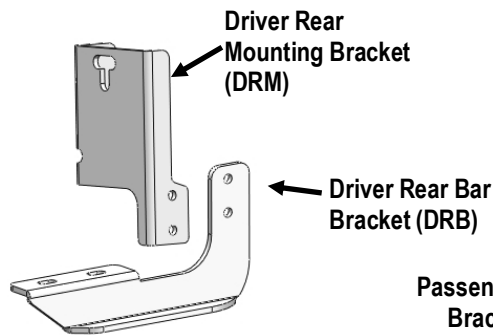
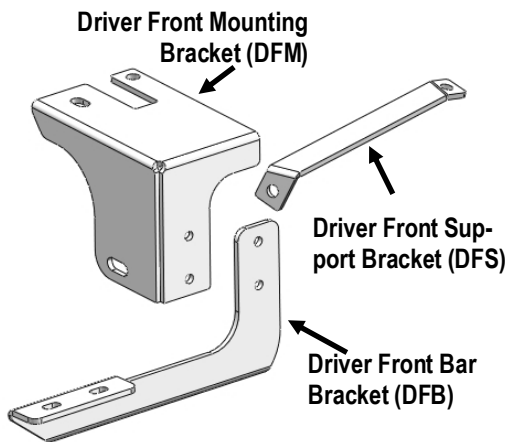
READ INSTRUCTIONS CAREFULLY BEFORE STARTING INSTALLATION. REMOVE CONTENTS FROM BOX AND VERIFY ALL PARTS ARE PRESENT. ASSISTANCE IS RECOMMENDED.

*ROCKER PANEL MOUNT
*DRILLING MAY BE REQUIRED

Fastener Size	Tightening Torque (ft-lbs)	Required
6mm	6-7	X
8mm	16-18	√
10mm	31-32	√
12mm	56-58	X
14mm	92-94	X

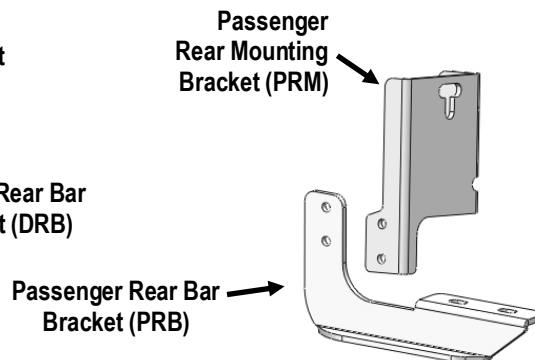
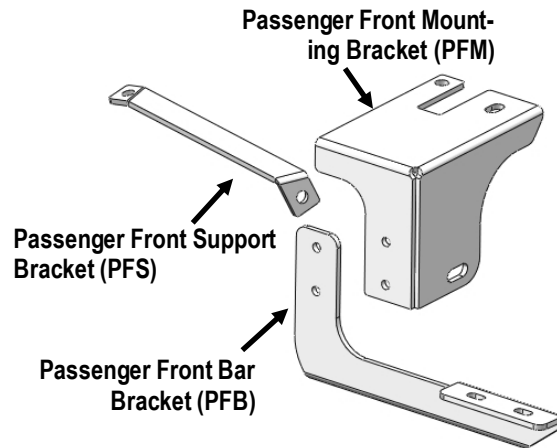
PART LIST

Driver Side Step Bar



Front
↑

Passenger Side Step Bar



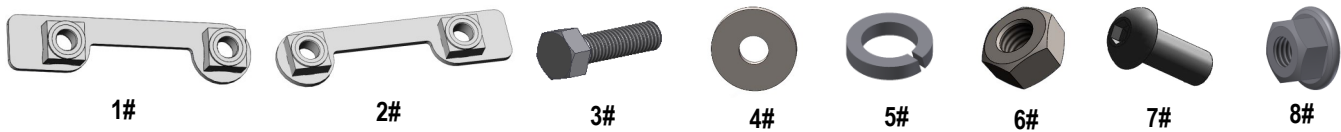
Customer Support: info@iboardauto.com



Scan for
Installation Video

Hardware Package A (For Bracket Installation)

Item	QTY	Description	Item	QTY	Description
1#	1	M10 Driver Double Nut Plate	5#	12	M10 Lock Washers
2#	1	M10 Passenger Double Nut Plate	6#	8	M10 Hex Nuts
3#	12	M10X1.5-30mm Hex Bolts	7#	8	M8X1.25-20mm Inner Hex Bolts
4#	20	M10 Flat Washers	8#	8	M8 Hex Flange Nuts



Hardware Package B (For Step Bar Installation)

Item	QTY	Description	Item	QTY	Description
1#	8	M8X1.25-35mm Carriage Bolts	3#	8	M8 Nylon Lock Nuts
2#	8	M8 Large Flat Washers	4#	4	Sliders (Packed with Mounting Brackets)





STEP 1

Start the installation under the passenger side front of the vehicle. Locate the (3) factory holes (one large, two small) in the frame channel next to the front body mount. Insert the smaller end of the M10 Passenger Double Nut Plate through the large hole in the frame and line it up with the smaller hole, (Fig 1).

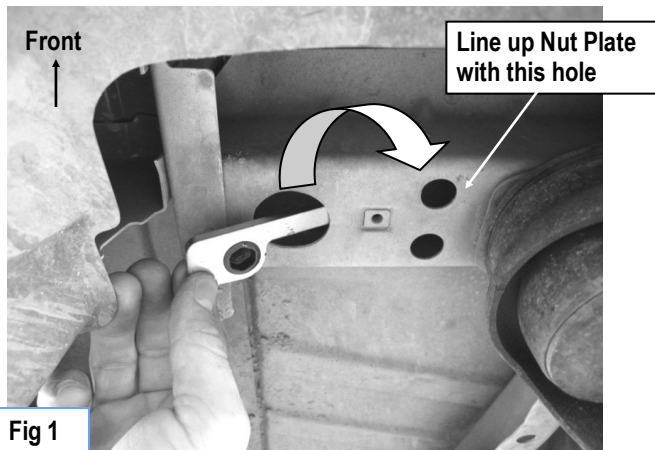
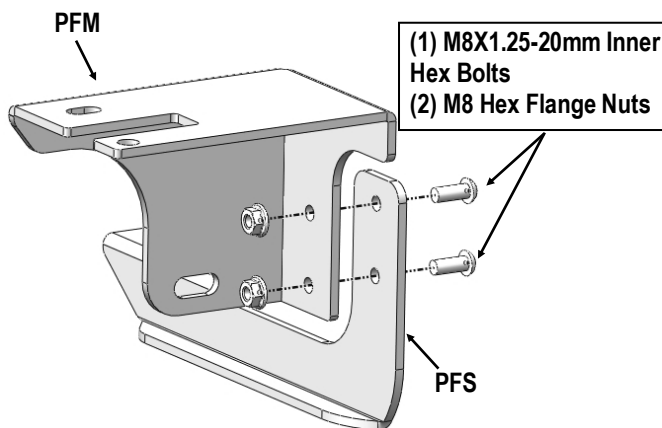


Fig 1

STEP 2

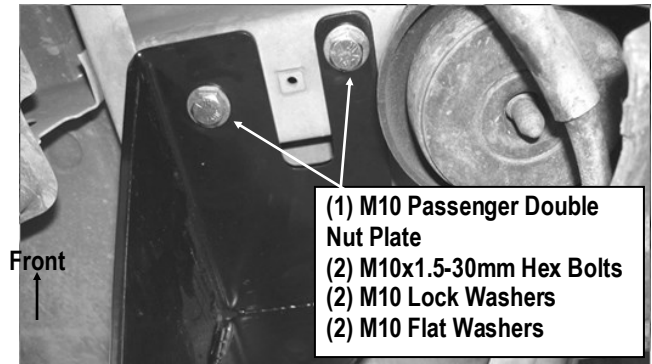
Select the Passenger Front Mounting Bracket (PFM) and the Passenger Front Bar Bracket (DFB), assembly with (2) M8X1.25-20mm Inner Hex Bolts and (2) M8 Hex Flange Nuts, (Fig 2). Do not fully tighten at this time.



(Fig 2) Passenger Front Brackets Assembly

STEP 3

Hang the Passenger Front Mounting Bracket to the installed M10 Double Nut Plate with the included (2) M10X1.5-30mm Hex Bolts, (2) M10 Lock Washers and (2) M10 Flat Washers, (Fig 3). Do not fully tighten hardware at this time.

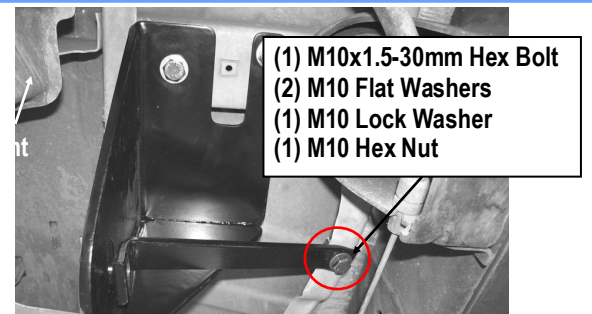


(Fig 3) Passenger Front Mounting Bracket Installed

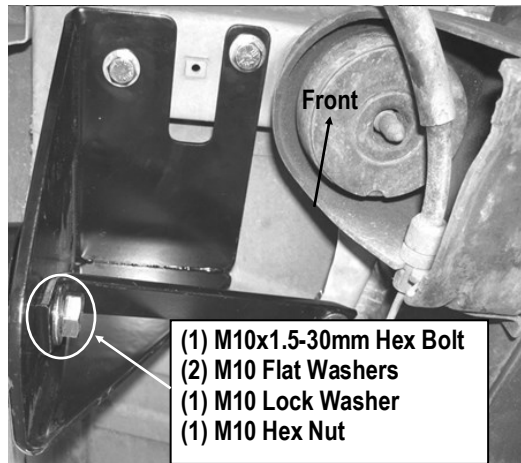
STEP 4

Locate the factory hole on the edge of the floor panel behind the passenger front body mount. Select the Passenger Front Support Bracket (PFS). Bolt the flat end of the Support Bracket to the factory hole using the included (1) M10X1.5-30mm Hex Bolt, (1) M10 Lock Washer, (2) M10 Flat Washers and (1) M10 Hex Nut, (Fig 4).

Line up the bent end of the Support Bracket with the back of the Passenger Front Mounting Bracket (PFM). Bolt the Support Bracket using the included (1) M10X1.5-30mm Hex Bolt, (1) M10 Lock Washer, (2) M10 Flat Washers and (1) M10 Hex Nut, (Figs 2 & 5). Do not fully tighten hardware at this time.



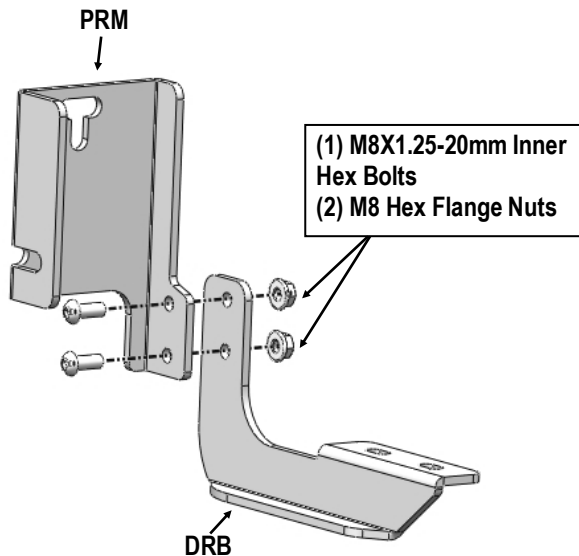
(Fig 4) Passenger Front Support Bracket Installation



(Fig 5) Passenger Front Support Bracket attached to Passenger Front Mounting Bracket

STEP 5

Select the Passenger Rear Mounting Bracket (PRM) and the Passenger Rear Bar Bracket (DRB), assembly with (2) M8X1.25-20mm Inner Hex Bolts and (2) M8 Hex Flange Nuts, (Fig 6). Do not fully tighten at this time.



(Fig 6) Passenger Side Rear Brackets Assembly

STEP 6

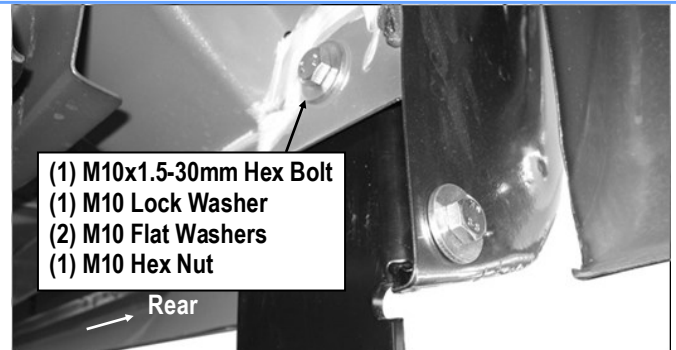
Move to the Passenger Side Rear Mounting Location of the vehicle. Insert the Passenger Rear Mounting Bracket (PRM) between the inner side panel and the outer body of the vehicle, (Figs 7 & 8).

Line up the hole in the 90° bend with the factory hole in the cab toward the bed and secure it using the included (1) M10x1.5-30mm Hex Bolt, (1) M10 Lock Washer, (2) M10 Flat Washers and (1) M10 Hex Nut.

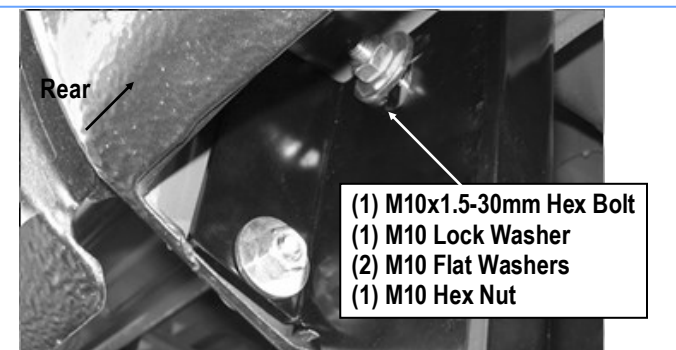
Attach the upper mounting location in the Rear Bracket to factory hole in the inner side panel using the included (1) M10x1.5-30mm Hex Bolt, (1) M10 Lock Washer, (2) M10 Flat Washers and (1) M10 Hex Nut, (Figs 7 & 8). Do not fully tighten hardware at this time.

NOTE: On some models, it may be necessary to drill a hole through the side panel for the hex bolts.

IMPORTANT: Any cutting or drilling tool may break or shatter. Government regulations require safety glasses & equipment at all times when cutting or drilling.



(Fig 7) Passenger Rear Mounting Bracket Installation



(Fig 8) Passenger Rear Mounting Bracket Installation



STEP 7

Once all (2) Driver side mounting brackets are installed, then proceed to the Step Bar installation. **(Figs 9 & 10)**

- (1) Select (1) Slider and (2) M8X1.25-35mm Carriage Bolts;
- (2) Install (2) M8X1.25-35mm Carriage Bolts in (1) Slider.
- (3) Slide the Slider (with carriage bolts) to the **Step Bar**.
- (4) Repeat to install the other (1) slider to the step bar.
- (5) Attach the Step Bar (with the Sliders) onto the installed mounting brackets. Position the Sliders to the installed brackets. Secure the Step Bar to the installed Brackets by using (4) M8 Large Flat Washers and (4) M8 Nylon Lock Nuts and (2) Sliders, **(Fig 10)**. Do not fully tighten hardware at this time.

Note: The Sliders are packed with the Mounting Brackets.

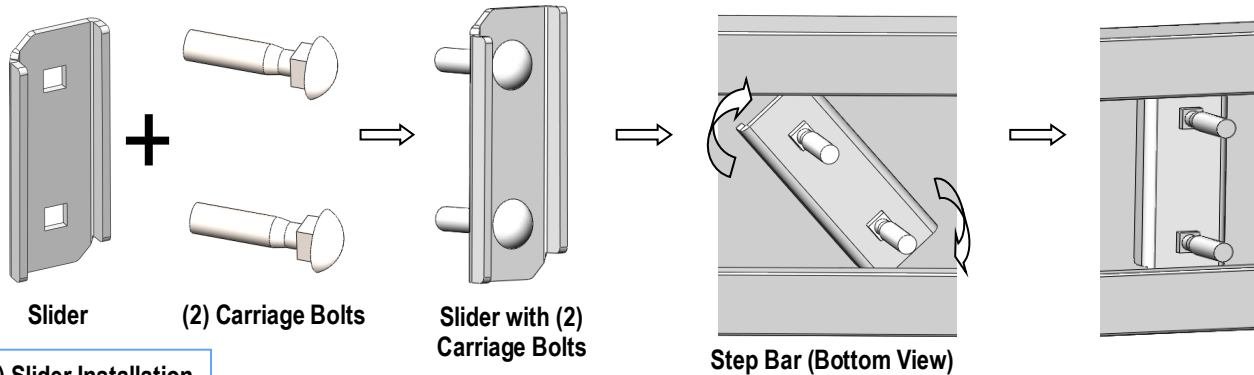
Level and adjust the Step Bar and fully tighten all hardware.

Repeat **Steps 1-7** for the other side Step Bar installation. **The installation is completed!!!**

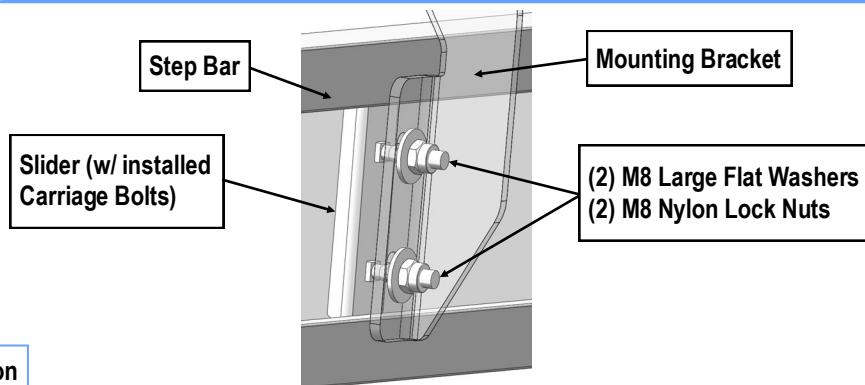
Attention

Do periodic inspections to the installation to make sure that all hardware is secure and tight.

In order to protect your bars/boards, please use mild soap/non-abrasive products for cleaning only.



(Fig 9) Slider Installation



(Fig 10) Step Bar Installation