

iBoard®



Scan for
Installation Video

iBoard® by APS

PART#: IB-P212Y&H

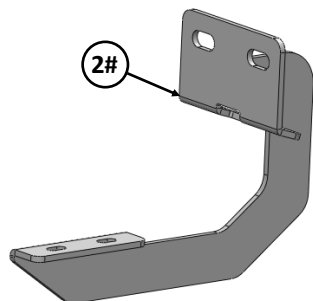
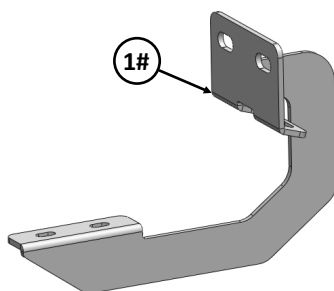
READ INSTRUCTIONS CAREFULLY BEFORE STARTING INSTALLATION. REMOVE CONTENTS FROM BOX AND VERIFY ALL PARTS ARE PRESENT. ASSISTANCE IS RECOMMENDED.

*ROCKER PANEL MOUNT
*NO DRILLING REQUIRED

Fastener Size	Tightening Torque (ft-lbs)	Required
6mm	6-7	X
8mm	16-18	√
10mm	31-32	X
12mm	56-58	X
14mm	92-94	X

PART LIST

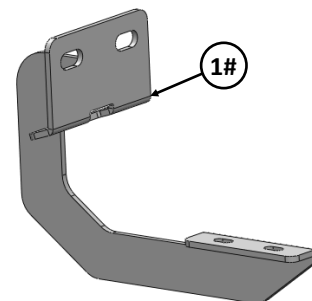
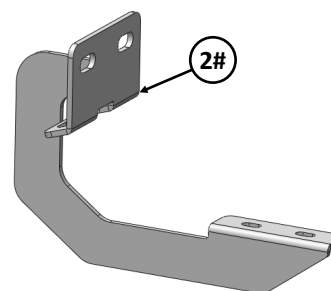
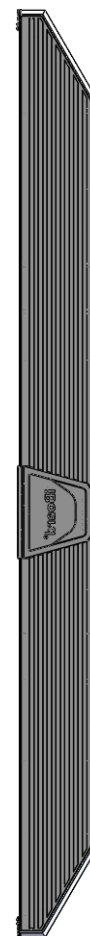
Driver Side Step Bar



Front



Passenger Side Step Bar

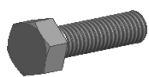




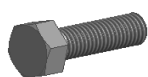
Scan for
Installation Video

Hardware Package A (For Bracket Installation)

Item	QTY	Description	Item	QTY	Description
1#	2	Drive Front / Passenger Rear Mounting Brackets	6#	16	M8 Flat Washers
2#	2	Passenger Front / Drive Rear Mounting Brackets	7#	16	M8 Lock Washers
3#	8	M8X1.25-30mm Hex Bolts	8#	8	M8X1.25 Hex Nuts
4#	8	M8X1.25-25mm Hex Bolts	9#	8	M8 Clip Nuts
5#	8	M8 Large Flat Washers			



3 #



4 #



5 #



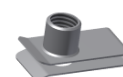
6 #



7 #



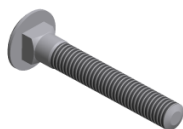
8 #



9 #

Hardware Package B (For Step Bar Installation)

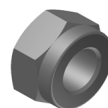
Item	QTY	Description	Item	QTY	Description
1#	8	M8X1.25-35mm Carriage Bolts	3#	8	M8 Nylon Lock Nuts
2#	8	M8 Large Flat Washers	4#	4	Sliders (Packed with Mounting Brackets)



1 #



2 #



3 #

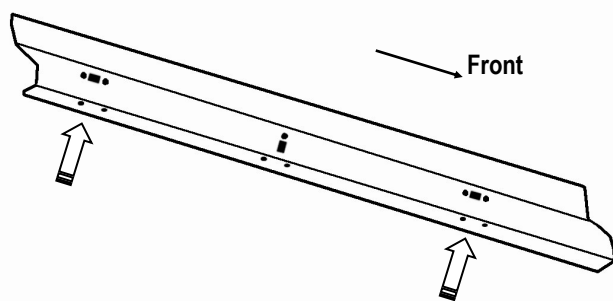


4 #



STEP 1

Starting on the driver side of the vehicle, locate the (2) holes on the pinch weld, (**Fig 1**). And then locate the rectangular opening and (2) small holes on the inner body panel directly above the holes on the pinch weld, (**Figs 1 & 2**). **NOTE:** The holes on the inner panel may be covered with sealing tape or insulation, remove sealing tape if equipped.



(Fig 1) Driver Side Mounting Location Illustration

STEP 2

Slide (1) M8 Clip Nut into the rectangular opening with the nut towards the inside. Line up the threaded nut on the clip with the round hole, (**Fig 2**). Repeat to install the 2nd M8 Clip Nut in remaining hole.

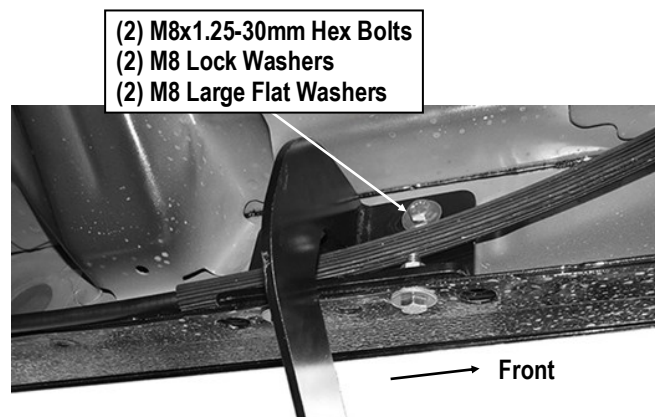


(Fig 2) M8 Clip Nuts Installed

STEP 3

Starting installation from the driver side front of the vehicle. Select (1) Driver Front Mounting Bracket, attach the Mounting Bracket to the installed (2) M8 Clip Nuts with the included (2) M8x1.25-30mm Hex Bolts, (2) M8 Lock Washers and (2) M8 Large Flat Washers, (**Figs 3 & 4**).

Note: Depending on model/year, the brake cable may be run on the inside or outside of the Bracket. Do not fully tighten hardware at this time.



(Fig 3) Driver Front Mounting Bracket Installation

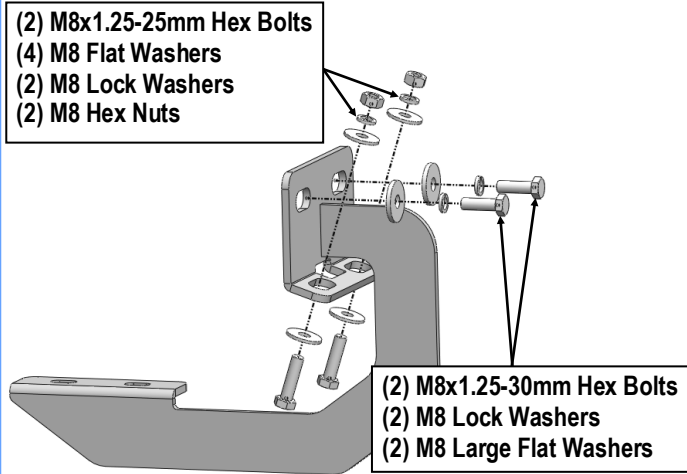
STEP 4

Align the bottom holes on the Driver Front Mounting Bracket with the (2) holes on the pinch weld. Bolt the Bracket to the pinch weld using the included (2) M8x1.25-25mm Hex Bolts, (4) M8 Flat Washers, (2) M8 Lock Washers and (2) M8 Hex Nuts, (**Fig 4**).

NOTE: Insert the bolts up from the bottom of the pinch weld and through the Bracket. Do not fully tighten hardware at this time.

STEP 5

Continue moving to the Driver Side Rear Mounting Location. Locate the last (2) mounting holes on the pinch weld, (**Fig 1**). Repeat **Steps 2-4** for Driver Rear Mounting Bracket installation. Do not fully tighten hardware at this time.



(Fig 4) Driver Front Mounting Bracket Installation

- (1) Select (1) Slider and (2) M8X1.25-35mm Carriage Bolts;
- (2) Install (2) M8X1.25-35mm Carriage Bolts in (1) Slider.
- (3) Slide the Slider (with carriage bolts) to the **Step Bar**.
- (4) Repeat to install the other (1) slider to the step bar.
- (5) Attach the Step Bar (with the Sliders) onto the installed mounting brackets. Position the Sliders to the installed brackets. Secure the Step Bar to the installed Brackets by using (4) M8 Large Flat Washers and (4) M8 Nylon Lock Nuts and (2) Sliders, (Fig 6). Do not fully tighten hardware at this time.

Note: The Sliders are packed with the Mounting Brackets. Level and adjust the Step Bar and fully tighten all hardware. Repeat **Steps 1-6** for the other side Step Bar installation. **The installation is completed!!!**

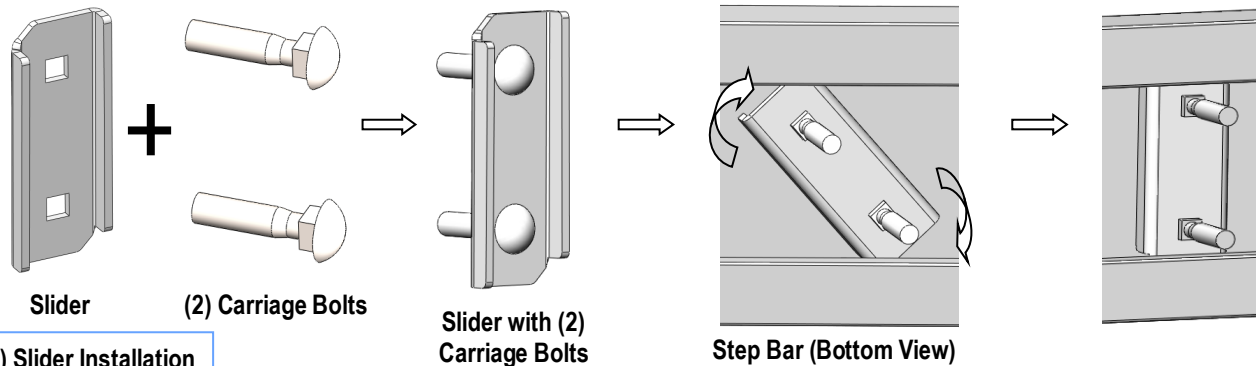
STEP 6

Once all (2) Driver side mounting brackets are installed, then proceed to the Step Bar installation. (Figs 5 & 6)

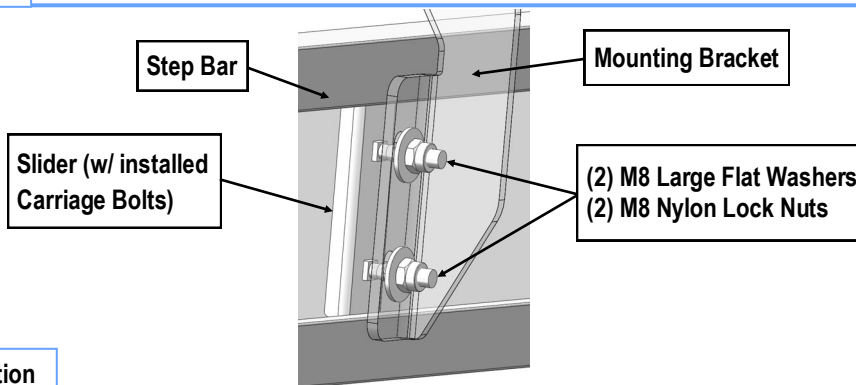
Attention

Do periodic inspections to the installation to make sure that all hardware is secure and tight.

In order to protect your bars/boards, please use mild soap/non-abrasive products for cleaning only.



(Fig 5) Slider Installation



(Fig 6) Step Bar Installation