



**PART#: IB-P211Y&H**

# iBoard® Series

READ INSTRUCTIONS CAREFULLY BEFORE STARTING INSTALLATION. REMOVE CONTENTS FROM BOX AND VERIFY ALL PARTS ARE PRESENT. ASSISTANCE IS RECOMMENDED.

\*ROCKER PANEL MOUNT  
\*NO DRILLING REQUIRED

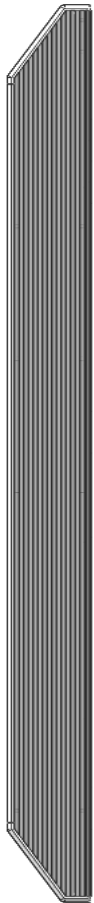
Fastener Size	Tightening Torque (ft-lbs)	Required
6mm	6-7	X
8mm	16-18	√
10mm	31-32	√
12mm	56-58	X
14mm	92-94	X

## PART LIST

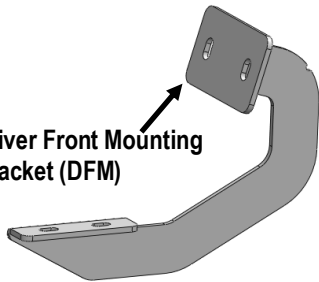
Driver Side Step Bar

Front

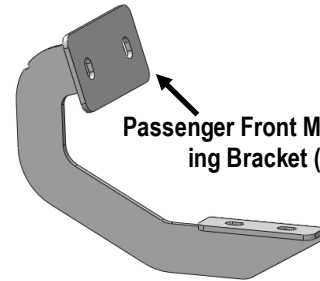
Passenger Side Step Bar



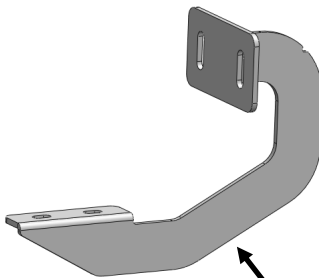
Driver Front Mounting Bracket (DFM)



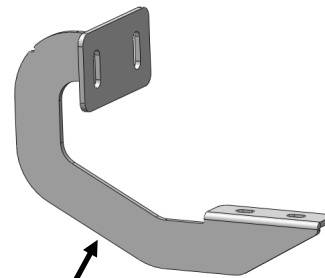
Passenger Front Mounting Bracket (PFM)



Driver Rear Mounting Bracket (DRM)



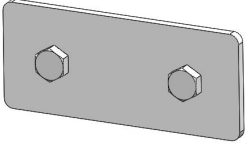
Passenger Rear Mounting Bracket (PRM)



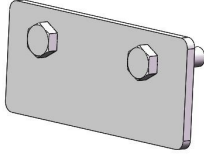


Scan for  
Installation Video


Hardware Package A (For Bracket Installation)					
Item	QTY	Description	Item	QTY	Description
1#	2	M10 Double Bolt Plates (For Rear)	4#	8	M10 Lock Washers
2#	2	M10 Offset Double Bolt Plates (For Front)	5#	8	M10 Hex Nuts
3#	8	M10 Large Flat Washers			




1 #



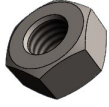
2 #



3 #

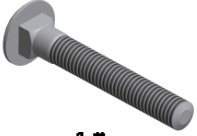


4 #




5 #


Hardware Package B (For Stainless Steel Step Bar Installation)					
Item	QTY	Description	Item	QTY	Description
1#	8	M8X1.25-35mm Carriage Bolts	3#	8	M8 Nylon Lock Nuts
2#	8	M8 Large Flat Washers	4#	4	Sliders (Packed with Mounting Brackets)



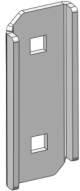
1 #



2 #



3 #



4 #

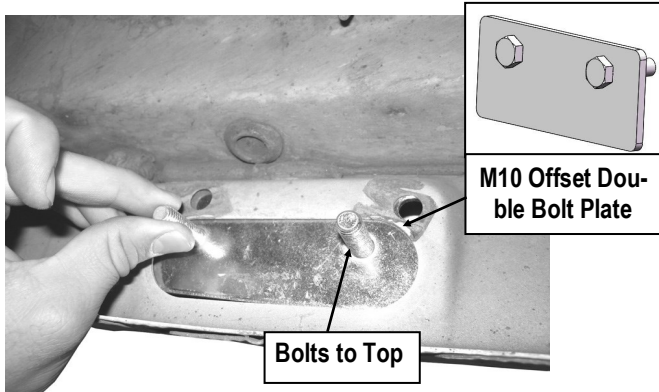


## STEP 1

Start installation from the driver side front of the vehicle. Remove the oval grommet located on the inside of the rocker panel, **(Fig 1)**. Insert (1) M10 Offset Double Bolt Plate, (with threaded studs toward the top), into the factory oval hole, **(Fig 2)**.



**(Fig 1) Driver Side Front Mounting Location**



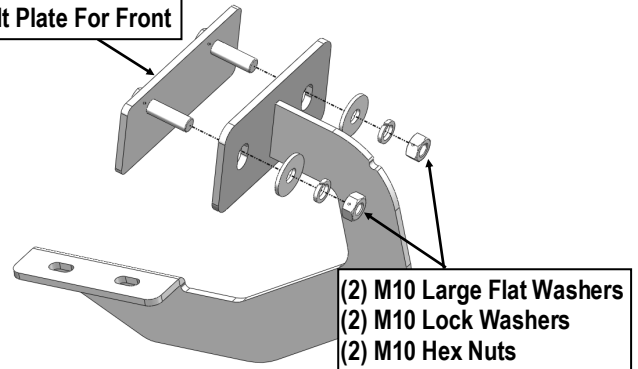
**(Fig 2) Insert (1) M10 Offset Double Bolt Plate**

## STEP 2

Select Driver Front Mounting Bracket **(DFM)**, attach to the M10 Offset Double Bolt Plate with (2) M10 Large Flat Washers, (2) M10 Lock Washers and (2) M10 Hex Nuts, **(Fig 3)**. Do not fully tighten hardware at this time.

**Note:** Hold the Double Bolt Plate from one side while you position and attach the Mounting Bracket to the opposite side.

M10 Offset Double Bolt Plate For Front

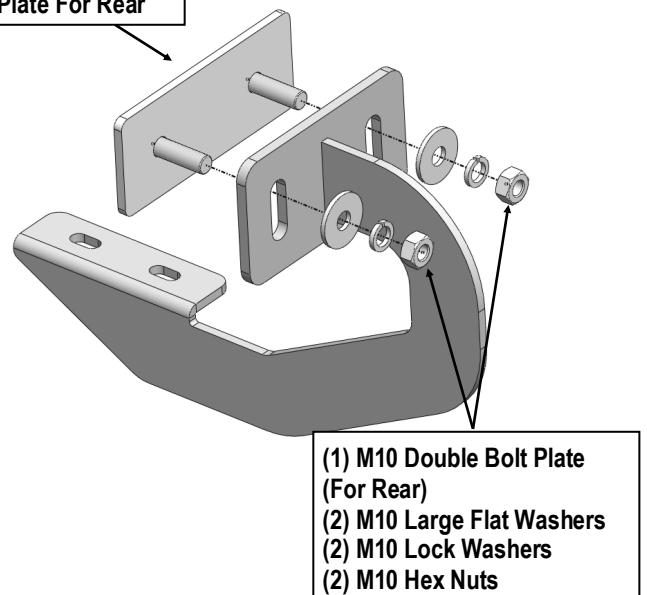


**(Fig 3) Driver Front Mounting Bracket Installation**

## STEP 3

Moving to the driver side rear of the vehicle, use (1) M10 Double Bolt Plate (For Rear) to install the Driver Rear Mounting Bracket **(DRM)**. Repeat **Steps 1-2** for the Driver Rear Mounting Bracket installation, **(Fig 4)**. Do not fully tighten hardware at this time.

M10 Double Bolt Plate For Rear



**(Fig 4) Driver Rear Mounting Bracket Installation  
(Except Driver Side Mounting Bracket On 97-98 3-door Models)**



## STEP 4

Once all (2) Driver side mounting brackets are installed, then proceed to the Step Bar installation. (**Figs 5 & 6**)

- (1) Select (1) Slider and (2) M8X1.25-35mm Carriage Bolts;
- (2) Install (2) M8X1.25-35mm Carriage Bolts in (1) Slider.
- (3) Slide the Slider (with carriage bolts) to the **Step Bar**.
- (4) Repeat to install the other (1) slider to the step bar.
- (5) Attach the Step Bar (with the Sliders) onto the installed mounting brackets. Position the Sliders to the installed brackets. Secure the Step Bar to the installed Brackets by using (4) M8 Large Flat Washers and (4) M8 Nylon Lock Nuts and (2) Sliders, (**Fig 6**). Do not fully tighten hardware at this time.

**Note:** The Sliders are packed with the Mounting Brackets.

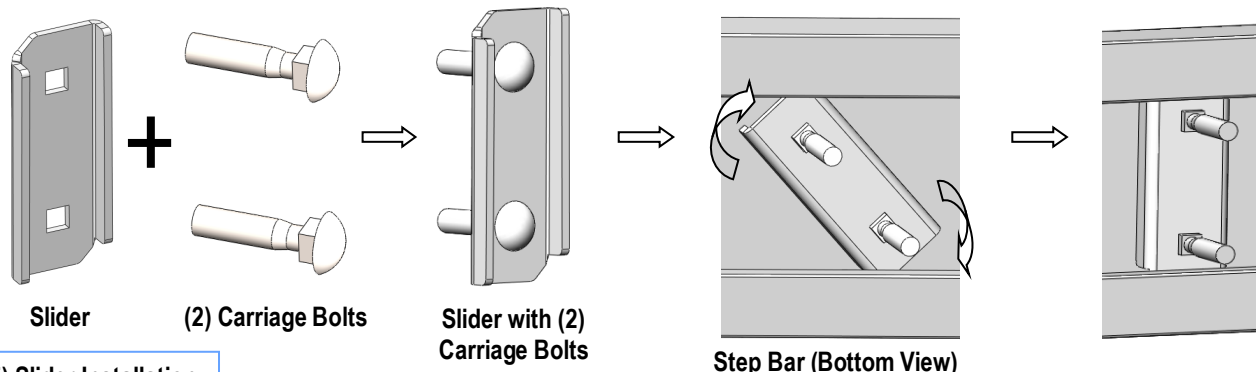
Level and adjust the Step Bar and fully tighten all hardware.

Repeat **Steps 1-4** for the other side Step Bar installation. **The installation is completed!!!**

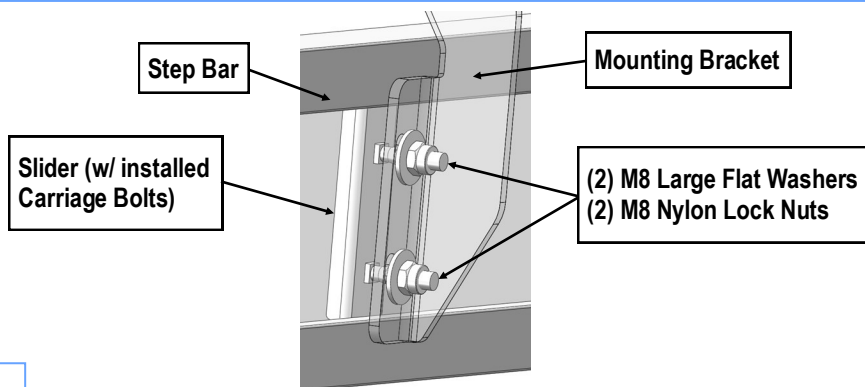
### Attention

**Do periodic inspections to the installation to make sure that all hardware is secure and tight.**

**In order to protect your bars/boards, please use mild soap/non-abrasive products for cleaning only.**



(Fig 5) Slider Installation



(Fig 6) Step Bar Installation