



**PART#: IB-P189Y&H**

# iBoard® Series

**READ INSTRUCTIONS CAREFULLY BEFORE START ING INSTALLATION. REMOVE CONTENTS FROM BOX AND VERIFY ALL PARTS ARE PRESENT. ASSISTANCE IS RECOMMENDED.**

**\*ROCKER PANEL MOUNT  
\*NO DRILLING REQUIRED**

Fastener Size	Tightening Torque (ft-lbs)	Required
6mm	6-7	X
8mm	16-18	√
10mm	31-32	X
12mm	56-58	X
14mm	92-94	X

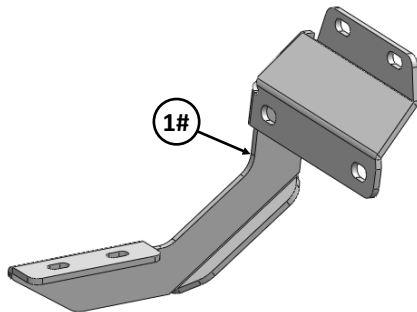
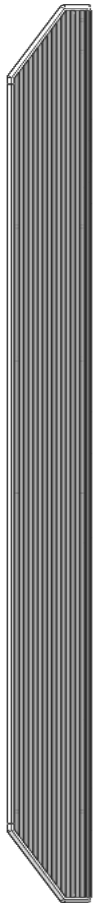
**PART LIST**

**Driver Side Step Bar**

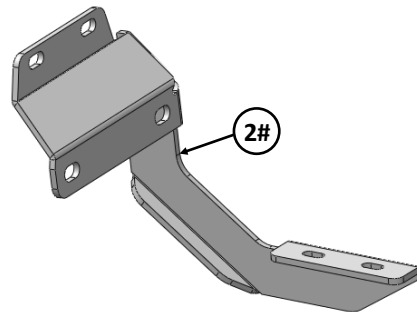
**Front**



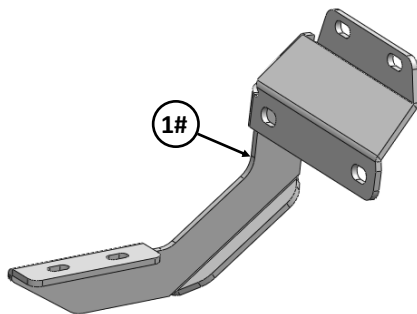
**Passenger Side Step Bar**



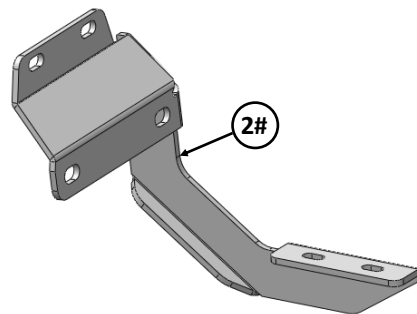
1#



2#



1#



2#

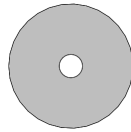




Scan for  
Installation Video

Mounting Bracket List					
Item	QTY	Description	Item	QTY	Description
1#	2	Driver Side Mounting Brackets	2#	2	Passenger Side Mounting Brackets

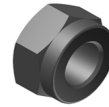
Hardware Package A (For Bracket Installation)					
Item	QTY	Description	Item	QTY	Description
1#	12	M8 Plastic Washers	3#	12	M8 Nylon Lock Nuts
2#	12	M8 Large Flat Washers			



1 #

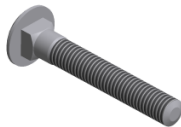


2 #



3 #

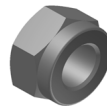
Hardware Package B (For Step Bar Installation)					
Item	QTY	Description	Item	QTY	Description
1#	8	M8X1.25-35mm Carriage Bolts	3#	8	M8 Nylon Lock Nuts
2#	8	M8 Large Flat Washers	4#	4	Sliders (Packed with Mounting Brackets)



1 #



2 #



3 #

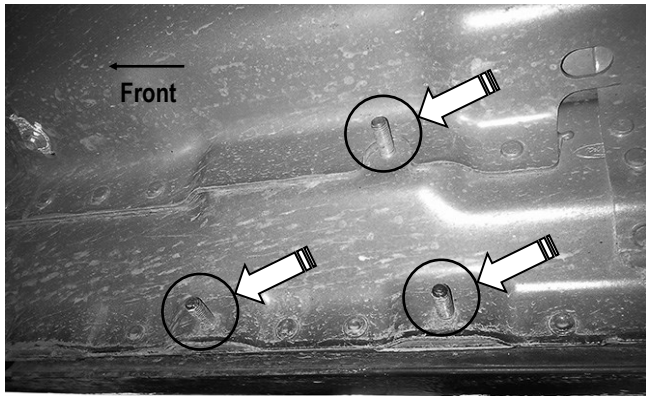


4 #



## STEP 1

Start installation from the passenger side front of the vehicle. Locate the front factory running board mounting location along the inner side of the body panel, (Fig 1).

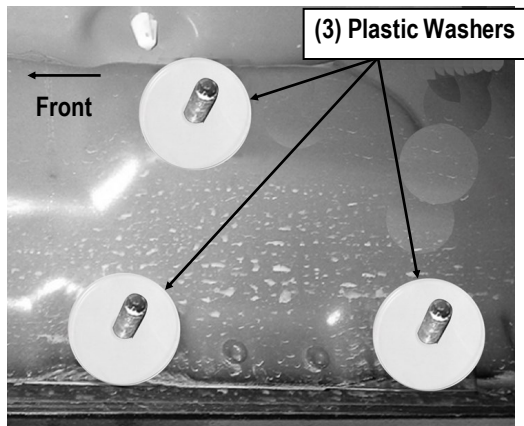


(Fig 1) Passenger Side Front Mounting Location

## STEP 2

Slide (1) Plastic Washer over each factory mounting stud in the body panel, (Fig 2).

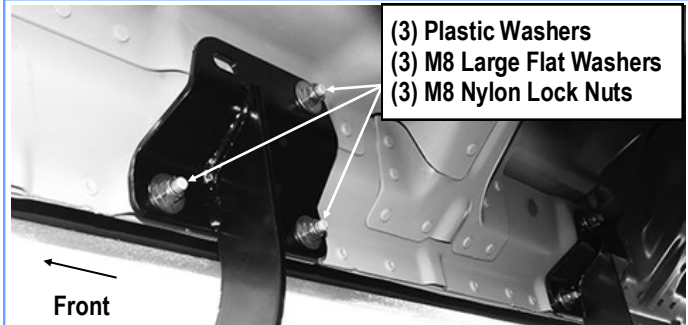
**Note:** The Plastic Washers are designed to prevent corrosion between the aluminum body panel and the steel mounting brackets.



(Fig 2) Thread Plastic Washers Onto 3 Mounting Studs (Passenger Side Front Mounting Location)

## STEP 3

Select (1) Passenger side Mounting Bracket. Attach the Mounting Bracket to the (3) factory studs with (3) M8 Large Flat Washers and (3) M8 Nylon Lock Nuts, (Fig 3). Do not fully tighten hardware at this time.



(Fig 3) Passenger Front Mounting Bracket Installed (Example)

## STEP 4

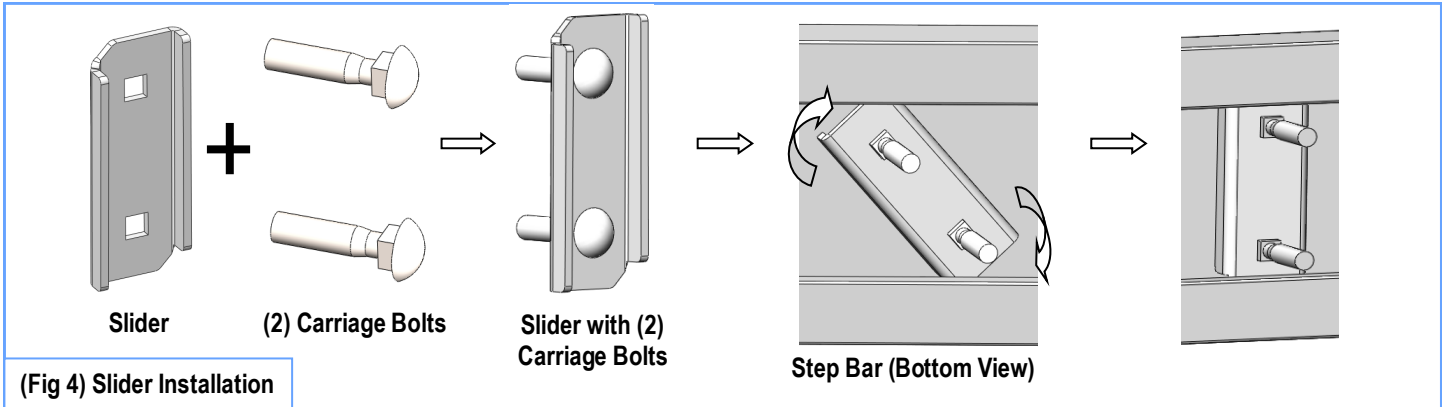
Move to the Passenger Side Rear Mounting Location. Repeat **Steps 1—3** to install the Passenger Side Rear Mounting Bracket. Do not fully tighten at this time.

## STEP 5

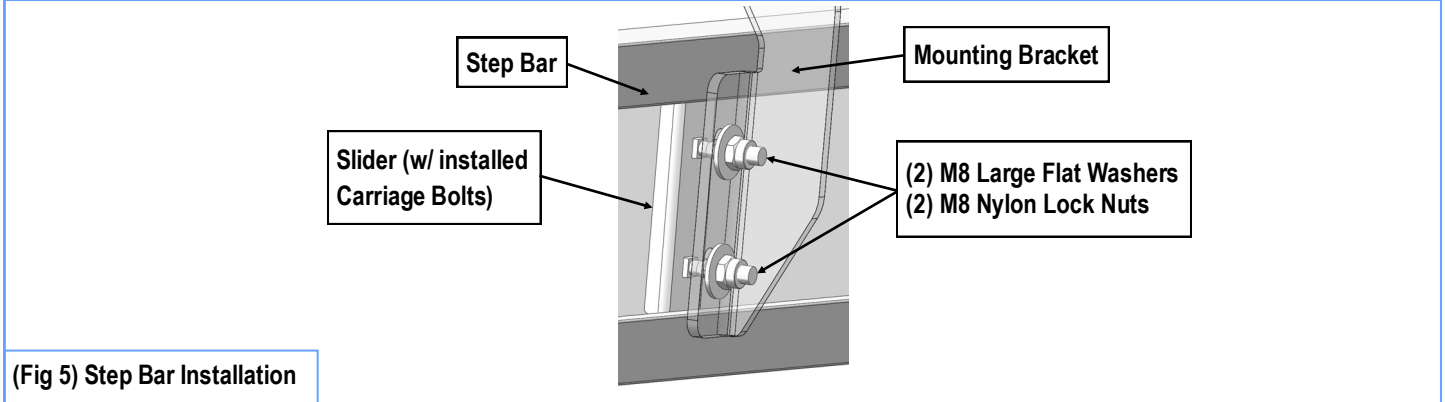
Once all (2) Passenger side mounting brackets are installed, then proceed to the Step Bar installation. (Figs 4 & 5)

- (1) Select (1) Slider and (2) M8X1.25-35mm Carriage Bolts;
- (2) Install (2) M8X1.25-35mm Carriage Bolts in (1) Slider.
- (3) Slide the Slider (with carriage bolts) to the **Step Bar**.
- (4) Repeat to install the other (1) slider to the step bar.
- (5) Attach the Step Bar (with the Sliders) onto the installed mounting brackets. Position the Sliders to the installed brackets. Secure the Step Bar to the installed Brackets by using (4) M8 Large Flat Washers and (4) M8 Nylon Lock Nuts and (2) Sliders, (Fig 5). Do not fully tighten hardware at this time.

**Note:** The Sliders are packed with the Mounting Brackets. Level and adjust the Step Bar and fully tighten all hardware. Repeat **Steps 1-5** for the other side Step Bar installation. **The installation is completed!!!**



(Fig 4) Slider Installation



(Fig 5) Step Bar Installation

**Attention**

Do periodic inspections to the installation to make sure that all hardware is secure and tight.  
In order to protect your bars/boards, please use mild soap/non-abrasive products for cleaning only.