

# iBoard®



Scan for  
Installation Video

## iBoard® by APS

PART#: IB-P177Y&H

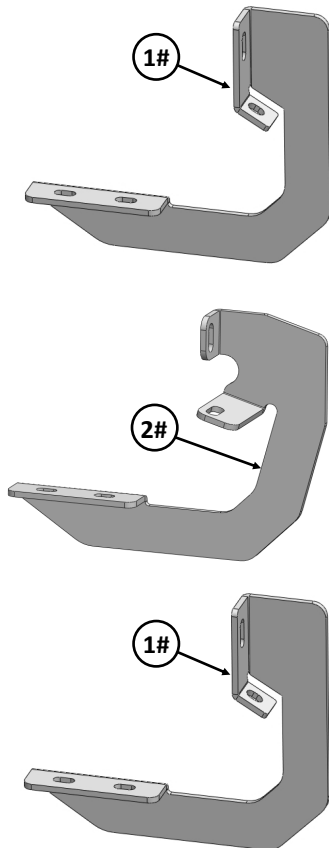
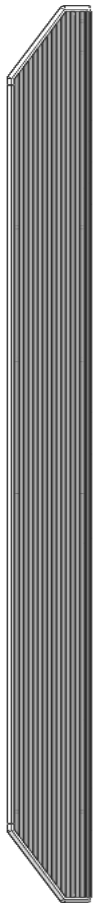
READ INSTRUCTIONS CAREFULLY BEFORE STARTING INSTALLATION. REMOVE CONTENTS FROM BOX AND VERIFY ALL PARTS ARE PRESENT. ASSISTANCE IS RECOMMENDED.

\*ROCKER PANEL MOUNT  
\*DRILLING IS REQUIRED

Fastener Size	Tightening Torque (ft-lbs)	Required
6mm	6-7	X
8mm	16-18	√
10mm	31-32	√
12mm	56-58	X
14mm	92-94	X

### PART LIST

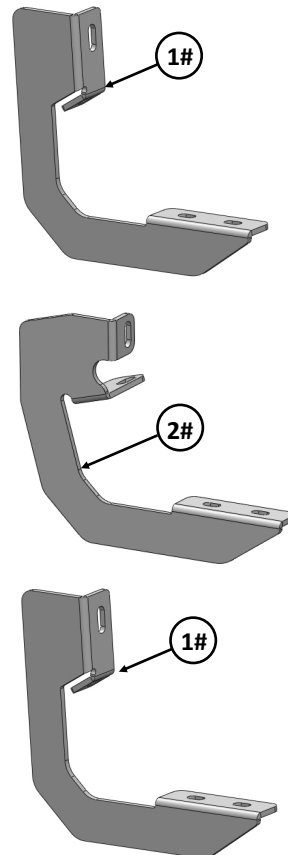
#### Driver Side Step Bar



Front



#### Passenger Side Step Bar

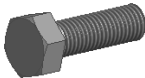


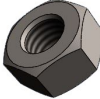
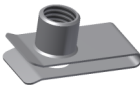


Customer Support: [info@iboardauto.com](mailto:info@iboardauto.com)



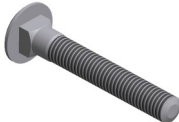



Hardware Package A (For Bracket Installation)					
Item	QTY	Description	Item	QTY	Description
1#	4	Driver/Passenger Front/Rear Mounting Brackets	5#	12	M8 Lock Washers
2#	2	Driver/Passenger Center Mounting Brackets	6#	6	M8 Hex Nuts
3#	12	M8X1.25-25mm Hex Bolts	7#	6	M8 Clip Nuts
4#	18	M8 Large Flat Washers			

				
3 #	4 #	5#	6 #	7 #

Hardware Package B (For Step Bar Installation)					
Item	QTY	Description	Item	QTY	Description
1#	12	M8X1.25-35mm Carriage Bolts	3#	12	M8 Nylon Lock Nuts
2#	12	M8 Large Flat Washers	4#	6	Sliders (Packed with Mounting Brackets)

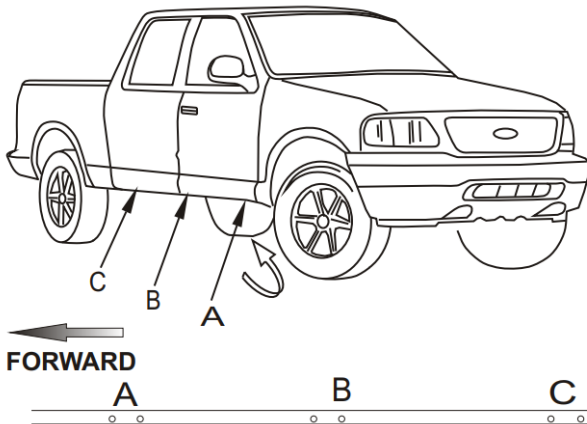
  

			
1 #	2 #	3 #	4 #



## STEP 1

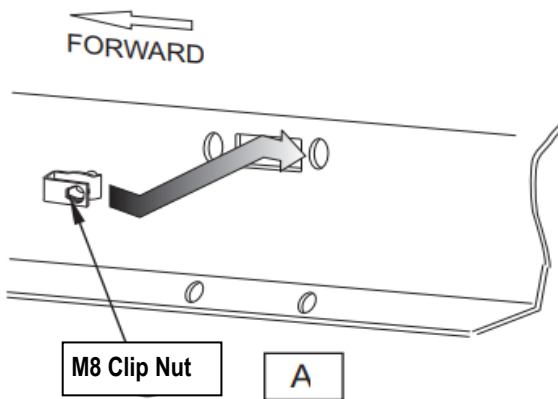
Starting on the passenger side of the vehicle. Locate mounting locations as shown, (Fig 1).



(Fig 1) Passenger Side Mounting Locations

## STEP 2

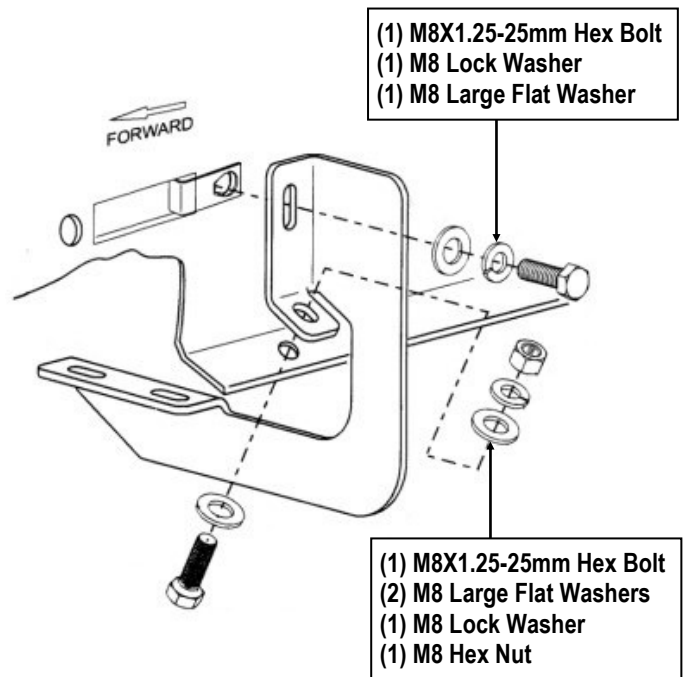
Starting on the passenger side front of the vehicle. Select (1) M8 Clip Nut, install the M8 Clip Nut as shown, (Fig 2).



(Fig 2) M8 Clip Nut Installation

## STEP 3

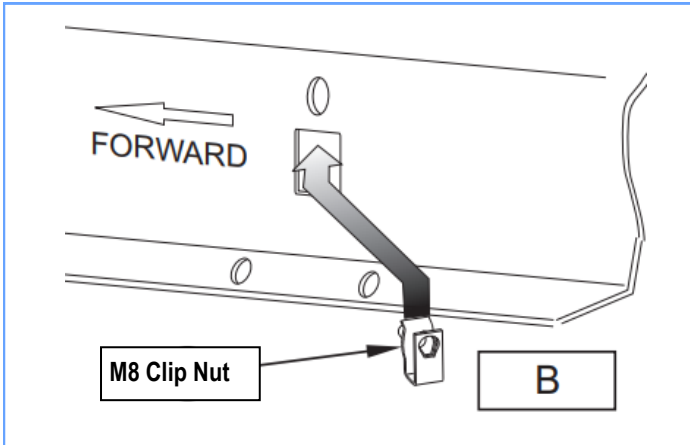
Attach the Passenger Front Mounting Bracket to the installed M8 Clip Nut with (1) M8X1.25-25mm Hex Bolt, (1) M8 Lock Washer and (1) M8 Large Flat Washer; to rocker panel with (1) M8X1.25-25mm Hex Bolt, (2) M8 Large Flat Washers, (1) M8 Lock Washer and (1) M8 Hex Nut, (Fig 3). Do not fully tighten hardware at this time.



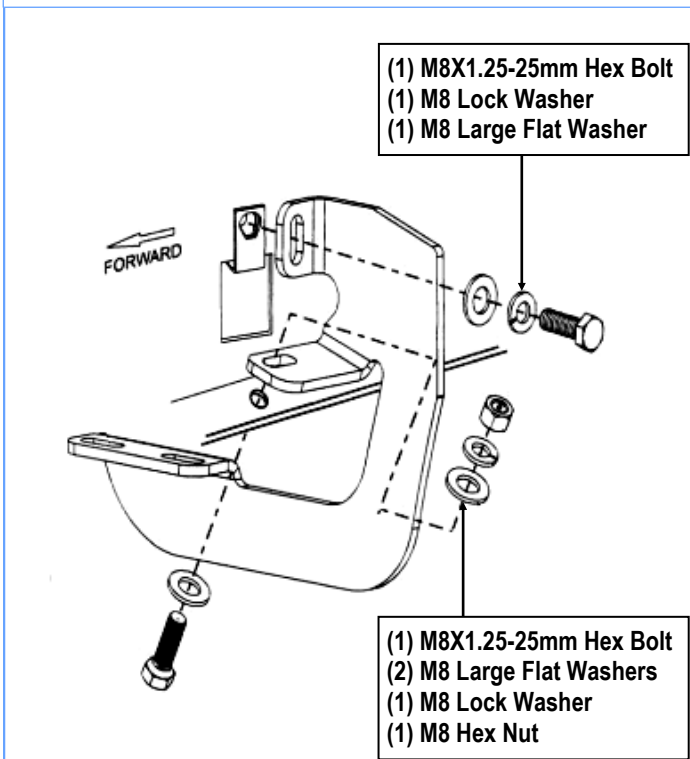
(Fig 3) Passenger Front Mounting Bracket Installation

## STEP 4

Move to the passenger side center of the vehicle, repeat Steps 1-2 for Passenger Center Mounting Bracket installation, (Figs 4-5). Do not fully tighten hardware at this time.



(Fig 4) Passenger Center Mounting Location



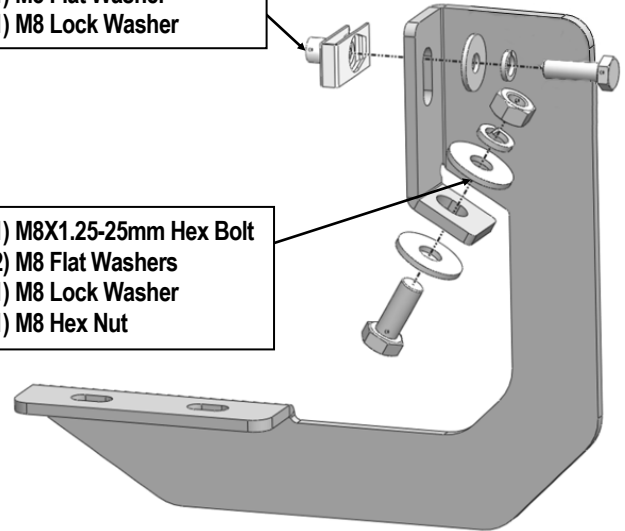
(Fig 5) Passenger Center Mounting Bracket Installation

## STEP 5

Move to the passenger side rear of the vehicle, repeat **Steps 2-3** to install Passenger Rear Mounting Bracket. (Fig 6)

- (1) M8 Clip Nut
- (1) M8X1.25-25mm Hex Bolt
- (1) M8 Flat Washer
- (1) M8 Lock Washer

- (1) M8X1.25-25mm Hex Bolt
- (2) M8 Flat Washers
- (1) M8 Lock Washer
- (1) M8 Hex Nut



(Fig 6) Passenger Rear Mounting Bracket Installation

## STEP 6

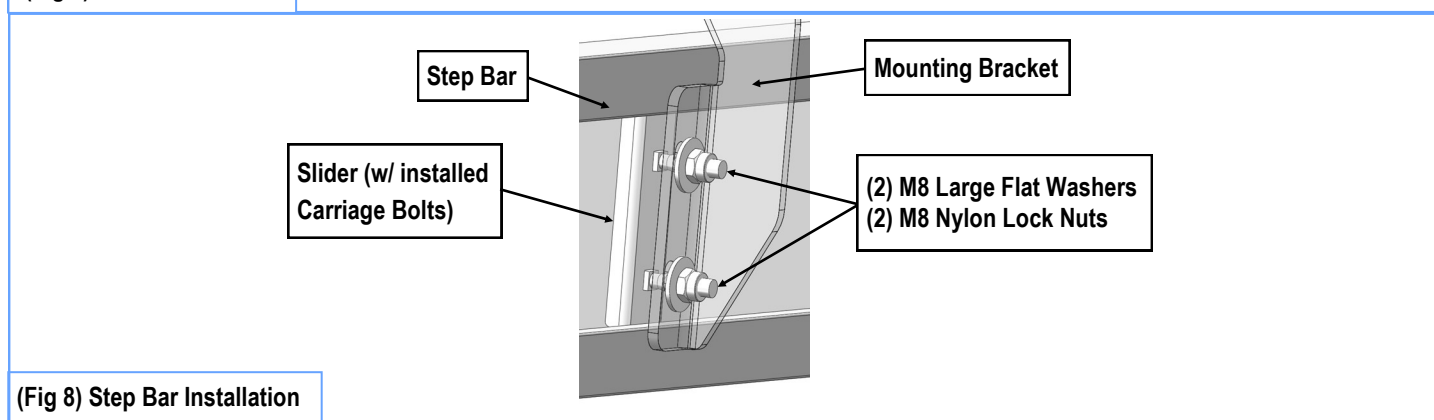
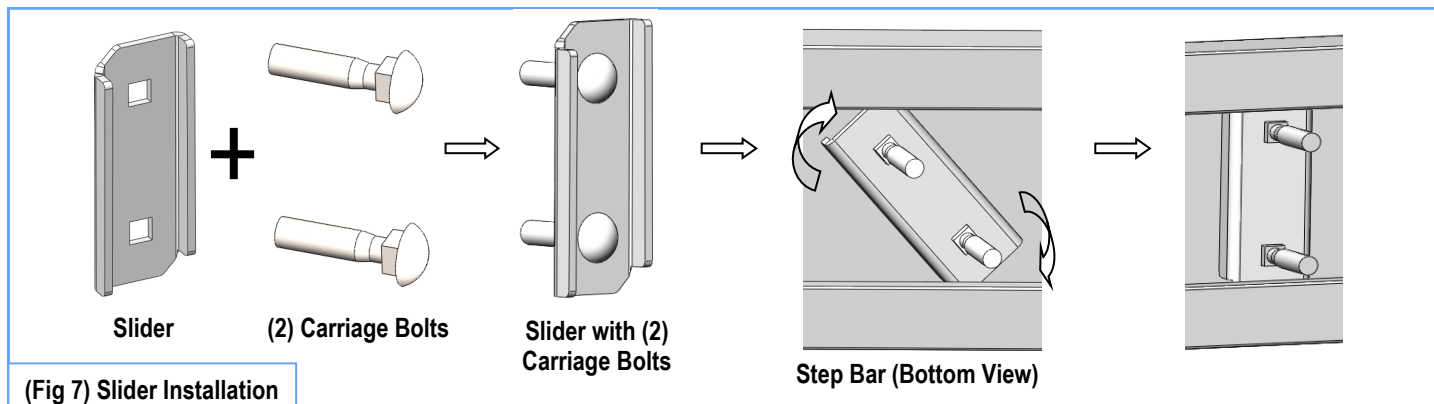
Once all (3) Passenger side mounting brackets are installed, then proceed to the Step Bar installation. (Figs 7 & 8)

- (1) Select (1) Slider and (2) M8X1.25-35mm Carriage Bolts;
- (2) Install (2) M8X1.25-35mm Carriage Bolts in (1) Slider.
- (3) Slide the Slider (with carriage bolts) to the **Step Bar**.
- (4) Repeat to install the other (2) sliders to the step bar.
- (5) Attach the Step Bar (with the Sliders) onto the installed mounting brackets. Position the Sliders to the installed brackets. Secure the Step Bar to the installed Brackets by using (6) M8 Large Flat Washers and (6) M8 Nylon Lock Nuts and (3) Sliders, (Fig 8). Do not fully tighten hardware at this time.

**Note:** The Sliders are packed with the Mounting Brackets.

Level and adjust the Step Bar and fully tighten all hardware.

Repeat **Steps 1-6** for the other side Step Bar installation. **The installation is completed!!!**



### Attention

Do periodic inspections to the installation to make sure that all hardware is secure and tight.  
In order to protect your bars/boards, please use mild soap/non-abrasive products for cleaning only.