

iBoard®



Scan for
Installation Video

iBoard® by APS

PART#: IB-P175Y&H

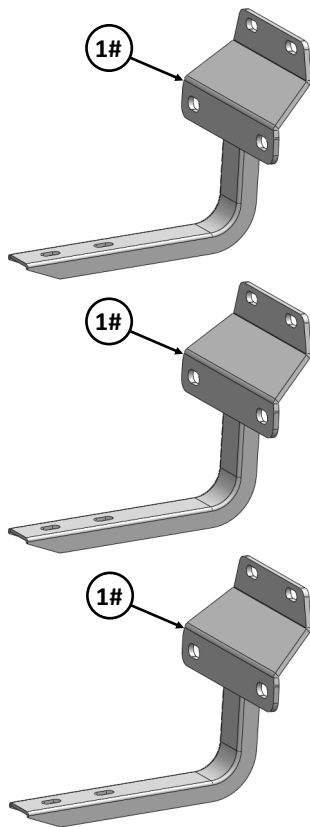
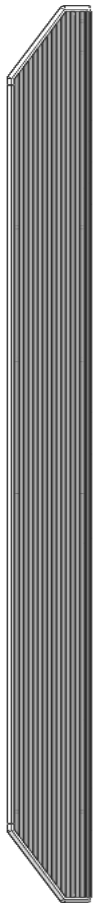
READ INSTRUCTIONS CAREFULLY BEFORE STARTING INSTALLATION. REMOVE CONTENTS FROM BOX AND VERIFY ALL PARTS ARE PRESENT. ASSISTANCE IS RECOMMENDED.

*ROCKER PANEL MOUNT
*NO DRILLING REQUIRED

Fastener Size	Tightening Torque (ft-lbs)	Required
6mm	6-7	X
8mm	16-18	√
10mm	31-32	X
12mm	56-58	X
14mm	92-94	X

PART LIST

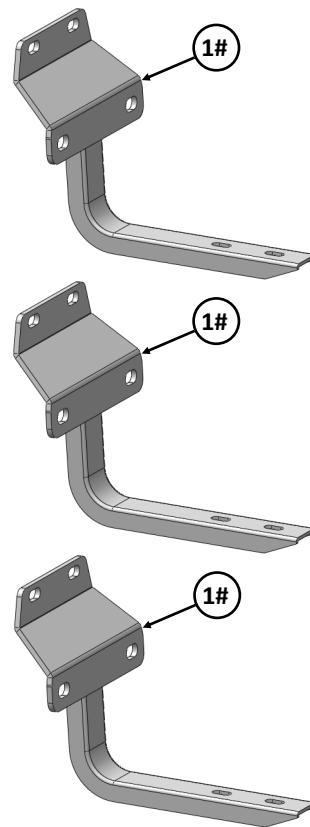
Driver Side Step Bar



Front



Passenger Side Step Bar



NOTE: All Mounting Brackets are universal.

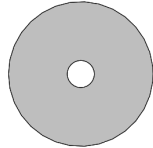
Customer Support: info@iboardauto.com



Scan for
Installation Video

Hardware Package A (For Bracket Installation)

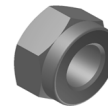
Item	QTY	Description	Item	QTY	Description
1#	6	Mounting Brackets	3#	18	M8 Large Flat Washers
2#	18	M8 Plastic Washers	4#	18	M8X1.25 Nylon Lock Nuts



2 #



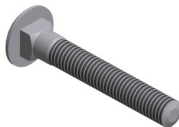
3 #



4 #

Hardware Package B (For Step Bar Installation)

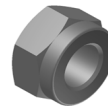
Item	QTY	Description	Item	QTY	Description
1#	12	M8X1.25-35mm Carriage Bolts	3#	12	M8 Nylon Lock Nuts
2#	12	M8 Large Flat Washers	4#	6	Sliders (Packed with Mounting Brackets)



1 #



2 #



3 #

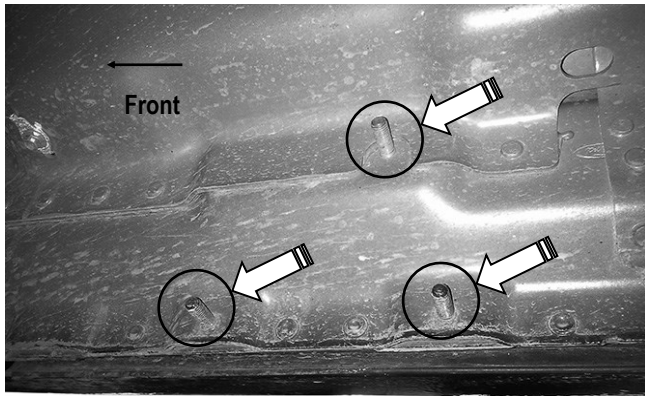


4 #



STEP 1

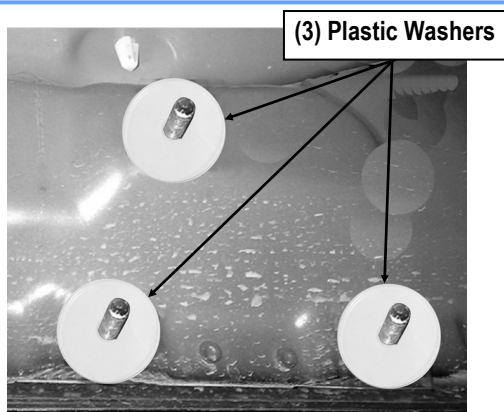
Start the installation under the passenger side of the vehicle. Locate the front factory running board mounting location along the inner side of the body, (Fig 1).



(Fig 1) Driver Side Front Mounting Location

STEP 2

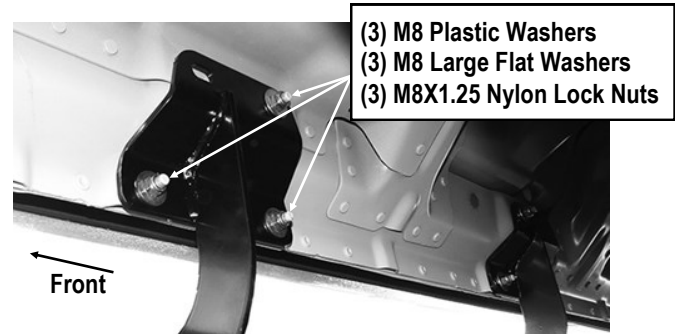
Slide (1) M8 Plastic Washer over each factory mounting stud in the body panel, (Fig 2). **IMPORTANT:** The M8 Plastic Washers are designed to prevent corrosion between the aluminum body panel and the steel mounting brackets. **Do not install the Brackets without the Plastic Washers.**



(Fig 2) Thread M8 Plastic Washers Onto All Mounting Studs
(Passenger Side Rear Mounting Location)

STEP 3

Select (1) Mounting Bracket. **NOTE: All (6) Mounting Brackets are universal.** Attach the Mounting Bracket to the (3) factory studs on Passenger Side Front Mounting Location with (3) M8 Large Flat Washers and (3) M8X1.25 Nylon Lock Nuts, (Fig 3). Do not fully tighten the hardware at this time.



(Fig 3) Passenger Front Mounting Bracket Installed

STEP 4

Move to the passenger side center & rear mounting locations of the vehicle. Repeat **Steps 1-3** to install the passenger side Center & Rear Mounting Brackets.

NOTE: All (6) Mounting Brackets will fit left or right side.



STEP 5

Once all (3) Passenger side mounting brackets are installed, then proceed to the Step Bar installation. (**Figs 4 & 5**)

- (1) Select (1) Slider and (2) M8X1.25-35mm Carriage Bolts;
- (2) Install (2) M8X1.25-35mm Carriage Bolts in (1) Slider.
- (3) Slide the Slider (with carriage bolts) to the **Step Bar**.
- (4) Repeat to install the other (2) sliders to the step bar.
- (5) Attach the Step Bar (with the Sliders) onto the installed mounting brackets. Position the Sliders to the installed brackets. Secure the Step Bar to the installed Brackets by using (6) M8 Large Flat Washers and (6) M8 Nylon Lock Nuts and (3) Sliders, (**Fig 5**). Do not fully tighten hardware at this time.

Note: The Sliders are packed with the Mounting Brackets.

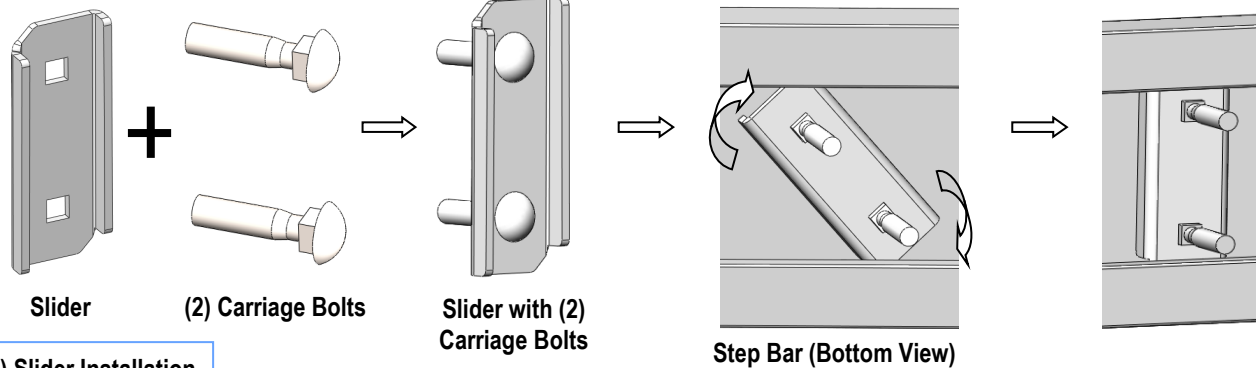
Level and adjust the Step Bar and fully tighten all hardware.

Repeat **Steps 1-5** for the other side Step Bar installation. **The installation is completed!!!**

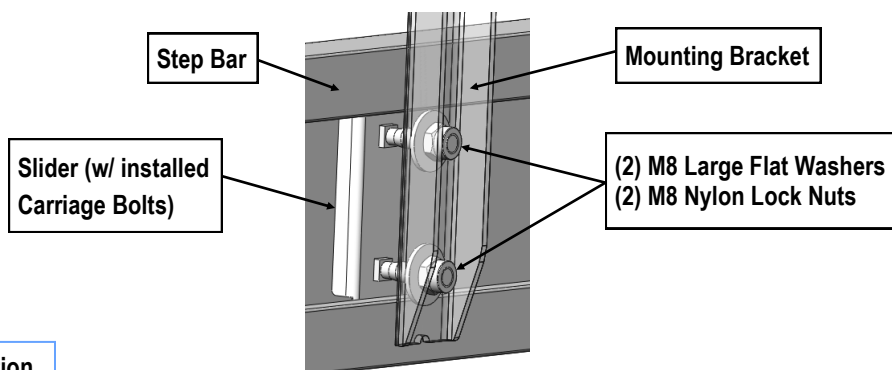
Attention

Do periodic inspections to the installation to make sure that all hardware is secure and tight.

In order to protect your bars/boards, please use mild soap/non-abrasive products for cleaning only.



(Fig 4) Slider Installation



(Fig 5) Step Bar Installation