

iBoard®



Scan for
Installation Video

iBoard® by APS

PART#: IB-K405C&H

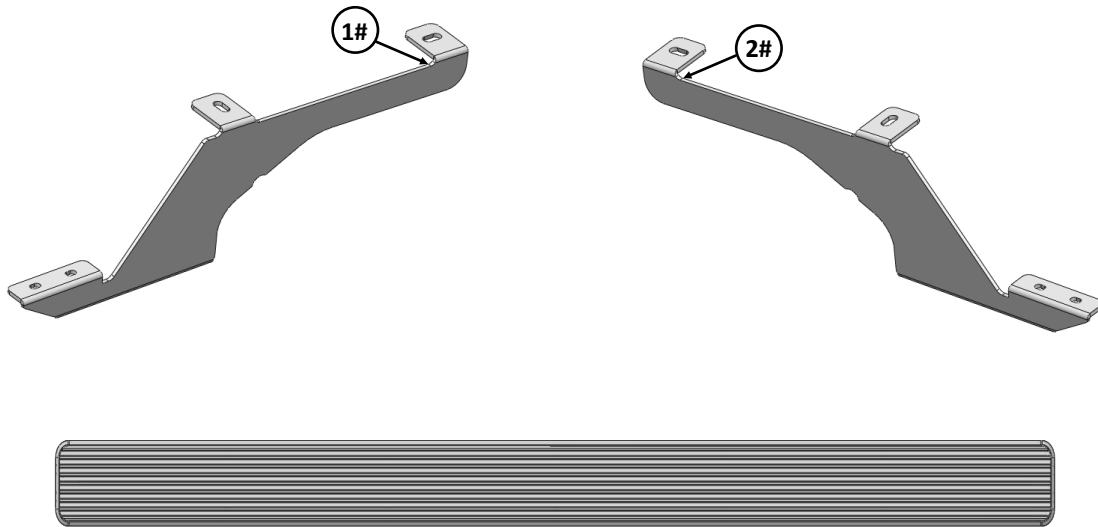
READ INSTRUCTIONS CAREFULLY BEFORE STARTING INSTALLATION. REMOVE CONTENTS FROM BOX AND VERIFY ALL PARTS ARE PRESENT. ASSISTANCE IS RECOMMENDED.

*BODY FRAME MOUNT
*NO DRILLING REQUIRED

| Fastener Size | Tightening Torque (ft-lbs) | Required |
|---------------|----------------------------|----------|
| 6mm | 6-7 | X |
| 8mm | 16-18 | √ |
| 10mm | 31-32 | √ |
| 12mm | 56-58 | X |
| 14mm | 92-94 | X |

PART LIST

Front

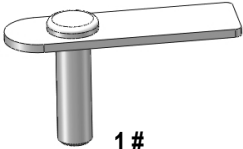


Customer Support: info@iboardauto.com




| Mounting Bracket List | | | | | |
|-----------------------|-----|------------------------------|------|-----|---------------------------------|
| Item | QTY | Description | Item | QTY | Description |
| 1# | 1 | Driver Side Mounting Bracket | 2# | 1 | Passenger Side Mounting Bracket |


| Hardware Package A (For Bracket Installation) | | | | | |
|---|-----|-------------------------|------|-----|------------------------|
| Item | QTY | Description | Item | QTY | Description |
| 1# | 2 | M10X35 Long Bolt Plates | 4# | 4 | M10 Large Flat Washers |
| 2# | 2 | M10X35 Bolt Plates | 5# | 4 | M10 Lock Washers |
| 3# | 4 | M10 Plastic Washers | 6# | 4 | M10 Hex Nuts |




1 #




2 #



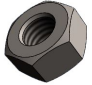
3 #



4 #

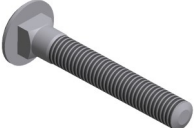


5 #




6 #


| Hardware Package B (For Stainless Steel Step Bar Installation) | | | | | |
|--|-----|-----------------------------|------|-----|---|
| Item | QTY | Description | Item | QTY | Description |
| 1# | 4 | M8X1.25-35mm Carriage Bolts | 3# | 4 | M8 Nylon Lock Nuts |
| 2# | 4 | M8 Large Flat Washers | 4# | 2 | Sliders (Packed with Mounting Brackets) |




1 #



2 #



3 #



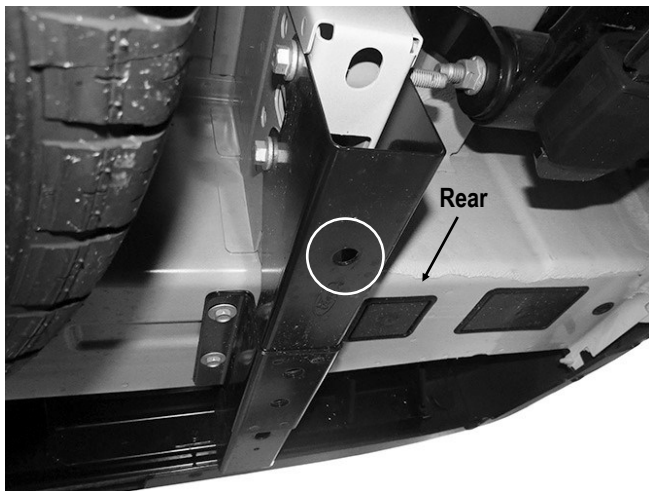
4 #



WARNING: ALLOW TIME FOR THE MUFFLER TO COOL COMPLETELY BEFORE INSTALLING MOUNTING BRACKETS.

STEP 1

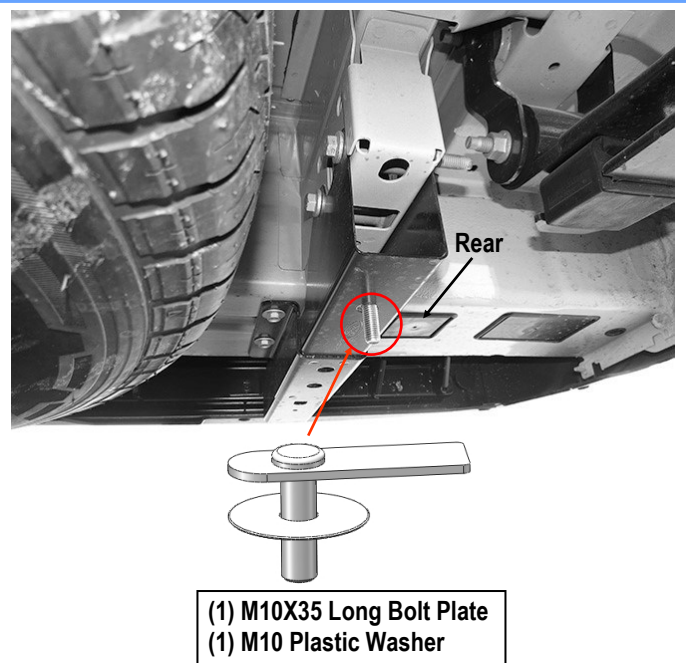
Start the installation from the driver side, rear of the vehicle, **(Fig 1)**. Select (1) M10X35 Long Bolt Plate and (1) M10 Plastic Washer. Insert the Bolt Plate into the forward open end of the rear frame channel and out from the first hole at the bottom of the channel, **(Fig 2)**. Thread the M10 Plastic Washer onto the Bolt Plate to hold the bolt plate in place.



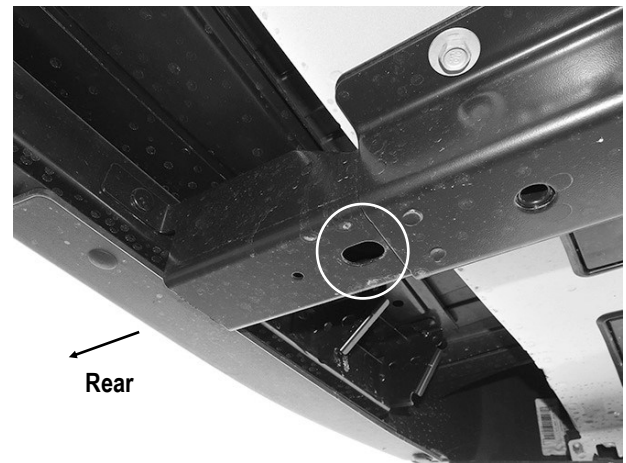
(Fig 1) Driver Side Front Mounting Location

STEP 2

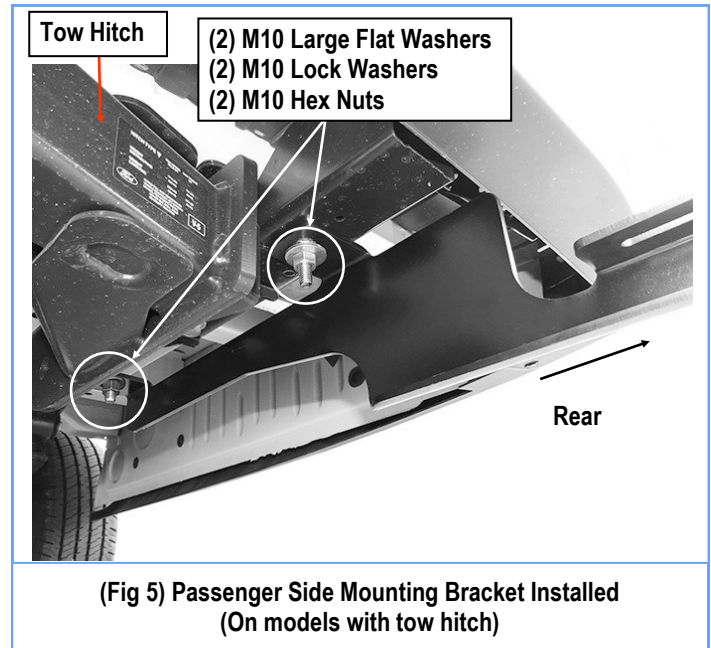
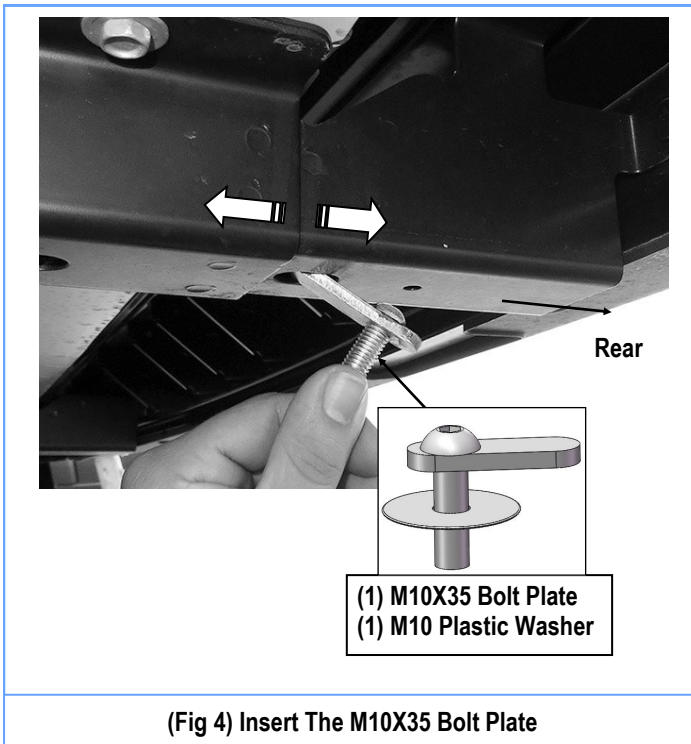
Next, locate the oval hole in the rearward end of the frame channel closest to the rear bumper, **(Fig 3)**. Select (1) M10X35 Bolt Plate and (1) M10 Plastic Washer. Insert the Bolt Plate into the oval hole then thread down the Plastic Washer to hold the bolt plate in place, **(Fig 4)**.



(Fig 2) Insert The M10X35 Long Bolt Plate



(Fig 3) Driver Side Rear Mounting Location



STEP 3

Select (1) Driver Side Mounting Bracket. Attach the Bracket to the (2) installed M10 Bolt Plates with (2) M10 Large Flat Washers, (2) M10 Lock Washers and (2) M10 Hex Nuts. Do not fully tighten hardware at this time.

NOTE:

On models equipped with tow hitch, the Mounting Brackets may be required switch to avoid interfering with the Tow Hitch, as shown in (Fig 5).

IMPORTANT: With the Bolt Plate hardware loose, pull the Bracket toward the rear, then fully tighten hardware.

STEP 4

Repeat **Steps 1-3** to install the passenger side Mounting Bracket, (Fig 5).

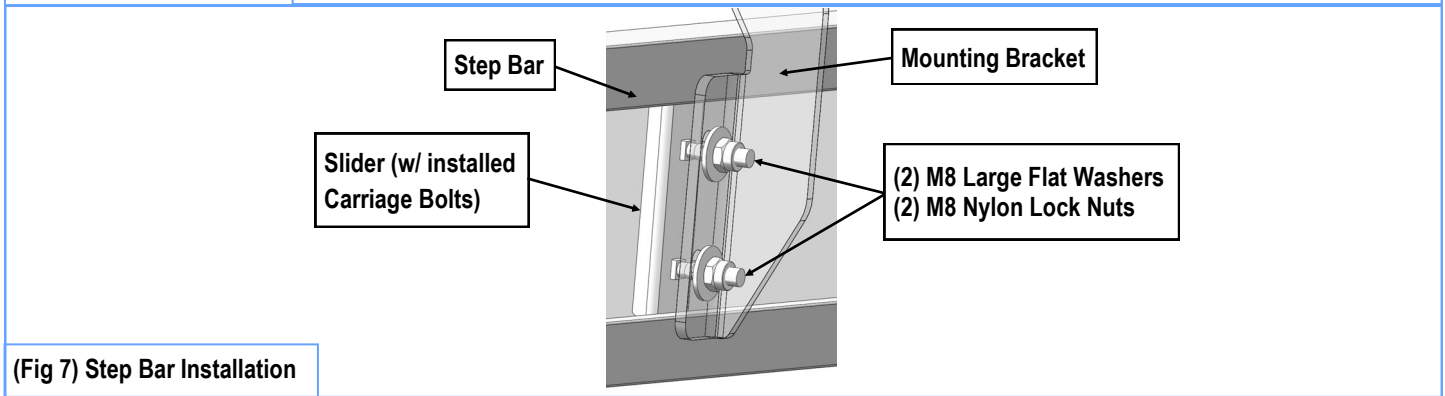
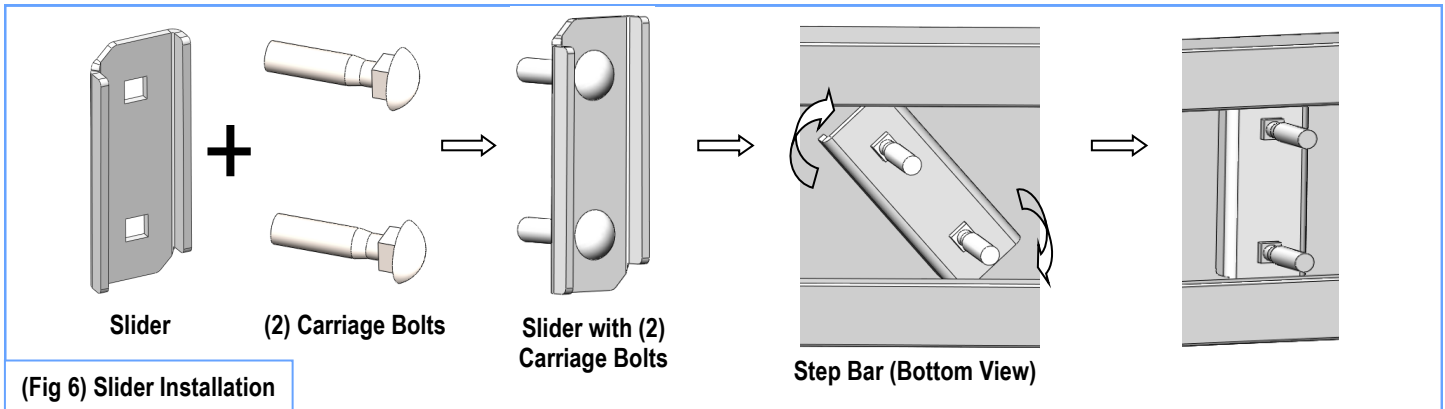
STEP 5

Once all (2) mounting brackets are installed, then proceed to the Step Bar installation. (Figs 6&7)

- (1) Select (1) Slider and (2) M8X1.25-35mm Carriage Bolts;
- (2) Install (2) M8X1.25-35mm Carriage Bolts in (1) Slider.
- (3) Slide the Slider (with carriage bolts) to the **Step Bar**.
- (4) Repeat to install the other (1) slider to the step bar.
- (5) Attach the Step Bar (with the Sliders) onto the installed mounting brackets. Position the Sliders to the installed brackets. Secure the Step Bar to the installed Brackets by using (4) M8 Large Flat Washers and (4) M8 Nylon Lock Nuts and (2) Sliders, (Fig 7). Do not fully tighten hardware at this time.

Note: The Sliders are packed with Mounting Brackets.

Level and adjust the Step Bar and fully tighten all hardware.
The installation is completed!!!



Attention

Do periodic inspections to the installation to make sure that all hardware is secure and tight.
In order to protect your bars/boards, please use mild soap/non-abrasive products for cleaning only.