

iBoard®

iBoard® by APS

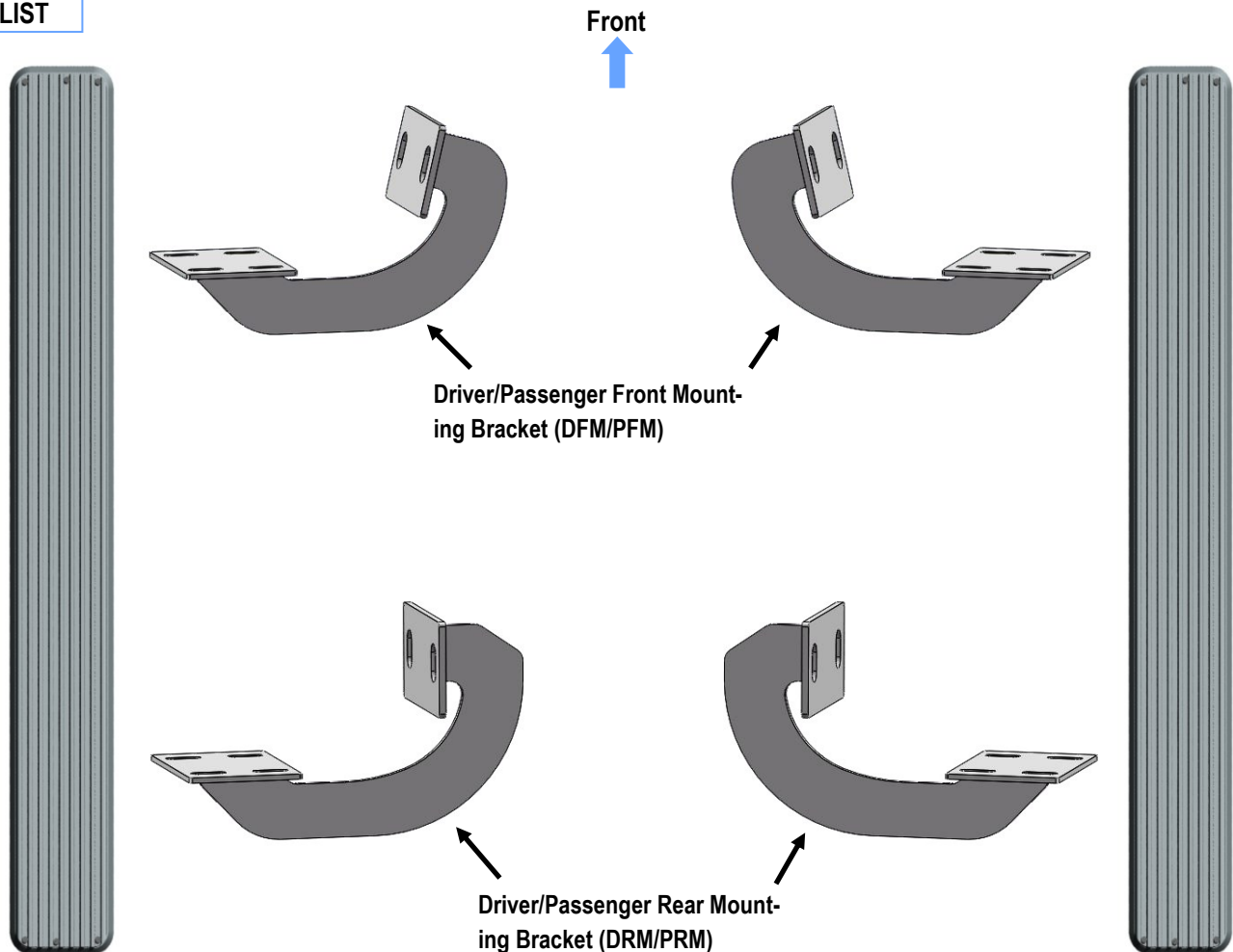
PART#: IB-008A-B

READ INSTRUCTIONS CAREFULLY BEFORE STARTING INSTALLATION. REMOVE CONTENTS FROM BOX AND VERIFY ALL PARTS ARE PRESENT. ASSISTANCE IS RECOMMENDED.

*ROCKER PANEL MOUNT
*NO DRILLING REQUIRED

Fastener Size	Tightening Torque (ft-lbs)
6mm	6-7
8mm	16-18
10mm	31-32
12mm	56-58
14mm	92-94

PART LIST

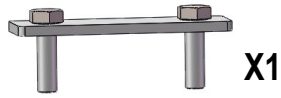


Customer Support: info@iboardauto.com

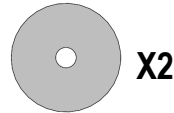
iBoard®



M10 Large Double Bolt Plate



M10 Small Double Bolt Plate



Plastic Washer



M10 Large Flat Washer



M10 Lock Washer



M10 Hex Nut



M6X1-20mm Square Head Bolt



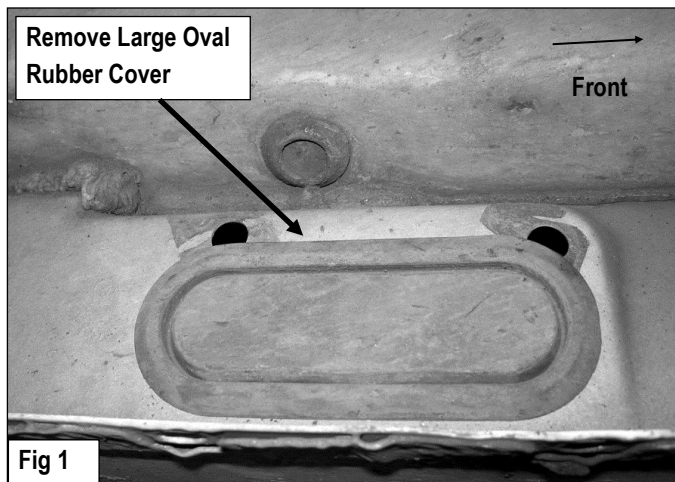
M6 Large Flat Washer



M6X1 Nylon Lock Nut

STEP 1

Starting on the driver side front mounting location of the vehicle. Remove the large oval rubber cover located on the inner side of the body panel, (Fig 1). Insert (1) M10 Large Double Bolt Plate into the oval hole, (Fig 2) and pull it back into position against the inner body panel, (Fig 3).



Insert M10 Large Double Bolt Plate Into the oval hole And Pull Back Into Position

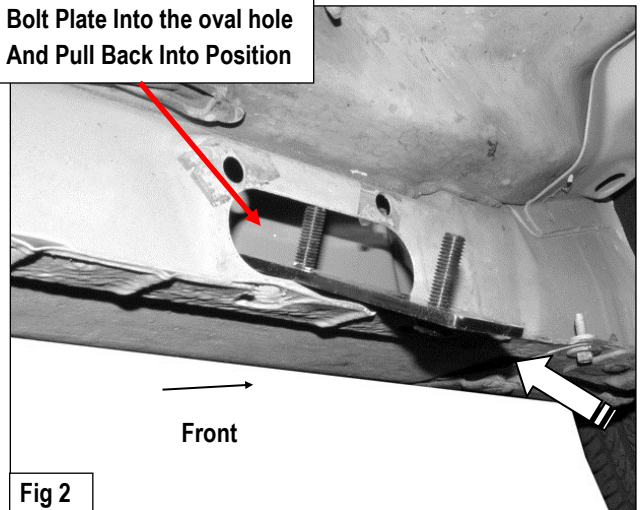


Fig 2

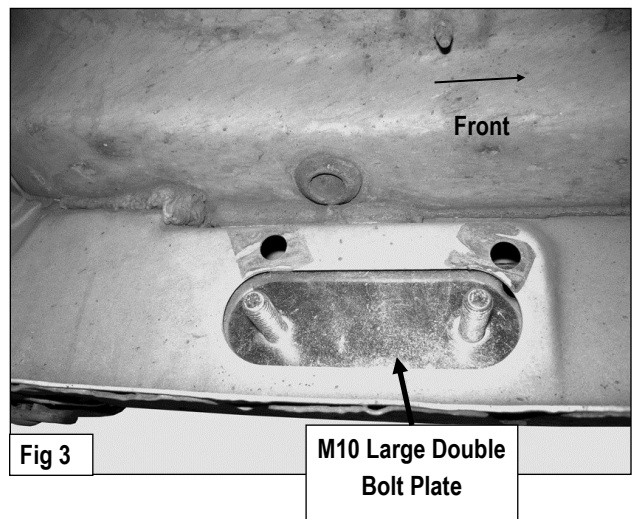


Fig 3

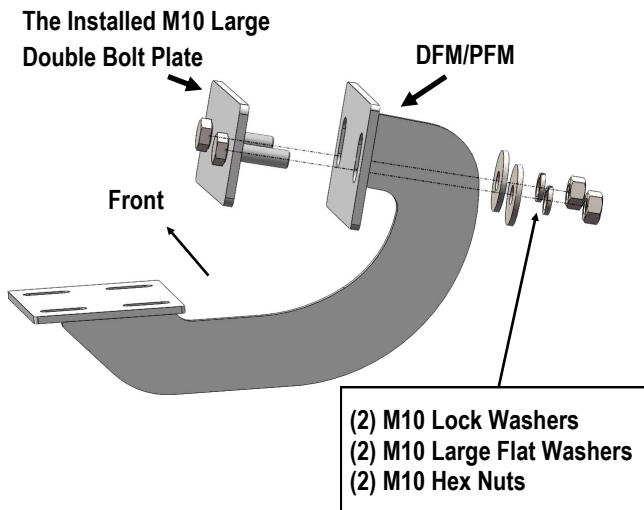
M10 Large Double Bolt Plate

iBoard®

STEP 2

Select (1) Driver Front Mounting Bracket (**DFM/PFM**). Secure the Driver Front Mounting Bracket to the M10 Large Double Bolt Plate with the included (2) M10 Lock Washers, (2) M10 Large Flat Washers and (2) M10 Hex Nuts, (**Fig 4**). Do not fully tighten hardware at this time.

NOTE: The (2) Front Mounting Brackets (**DFM/PFM**) are universal.



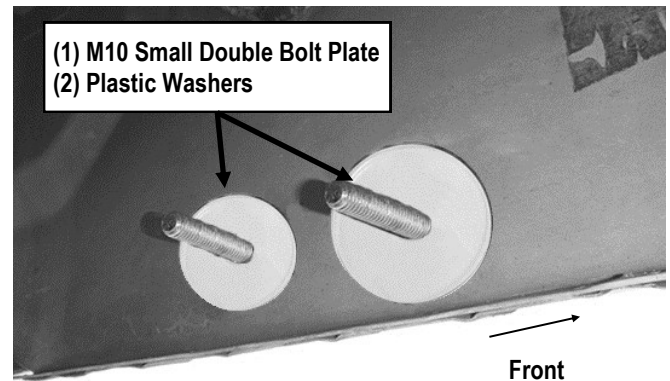
(Fig 4) Driver Front Mounting Bracket (DFM/PFM) Installation

STEP 3

Move to Driver Side Rear Mounting Location. Repeat **Steps 1-2** for Driver Rear Mounting Bracket (**DRM/PRM**) installation. Do not fully tighten hardware at this time.

Note: The (2) Rear Mounting Brackets (**DFM/PFM**) are universal.

NOTE: On 3-door models, insert the M10 Small Double Bolt Plate into the large, round hole and line up with the smaller round hole, (**Fig 5**). Then use the included Plastic Washers to hold the Bolt Plate in position and secure the Bracket as previously described in **Step 1-2**.



(Fig 5) Use For Driver Side Rear 3-Door Models

STEP 4

Select a Running Board. Slip (4) M6x1-20mm Square Head Bolts into each bottom channel (**Fig 6**). Carefully position the Running Board onto the (2) Mounting Brackets.

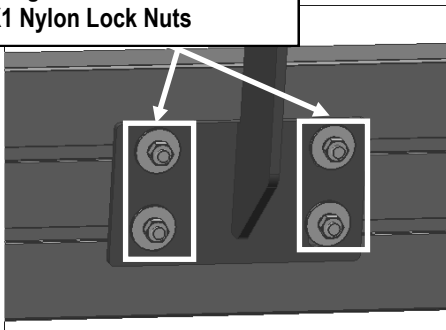
IMPORTANT: Do not slide the Running Board on the Brackets or the bottom surface of the board will be damaged. Attach the Running Board to Mounting Bracket with (8) M6x1-20mm Square Head Bolts, (8) M6 Large Flat Washers and (8) M6 X1 Nylon Lock Nuts (**Fig 7**). Do not fully tighten hardware at this time.

iBoard®



(Fig 6) Slip M6X1-20mm Square Head Bolts Into The Bottom Channels

- (4) M6X1-20mm Square Head Bolts
- (4) M6 Large Flat Washers
- (4) M6X1 Nylon Lock Nuts



(Fig 7) Running Board Installed Onto Mounting Bracket (Example)

STEP 5

Level and adjust the Running Board and fully tighten all hardware.

STEP 6

Repeat **Steps 1-5** for the other side Running Board installation. The installation is completed (**Fig 8**).



(Fig 8) Installation Completed

Attention

Do periodic inspections to the installation to make sure that all hardware is secure and tight.

In order to protect your bars/boards, please use only mild soap/non-abrasive products for cleaning.