

# iBoard<sup>®</sup>

## iBoard<sup>®</sup> by APS

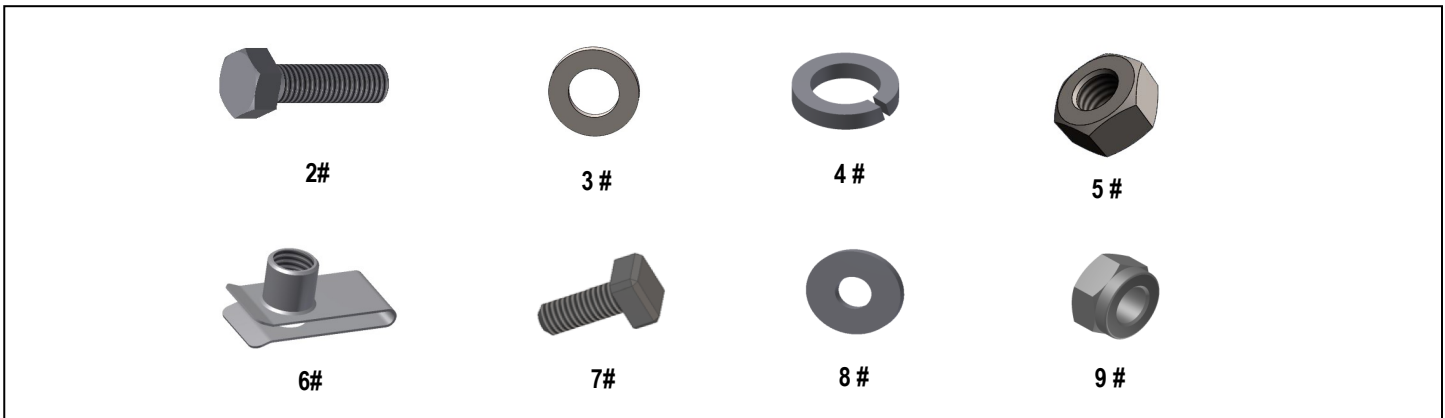
PART#: IB-010A&B

READ INSTRUCTIONS CAREFULLY BEFORE STARTING INSTALLATION. REMOVE CONTENTS FROM BOX AND VERIFY ALL PARTS ARE PRESENT. ASSISTANCE IS RECOMMENDED.

\*ROCKER PANEL MOUNT  
\*NO DRILLING REQUIRED

Fastener Size	Tightening Torque (ft-lbs)
6mm	6-7
8mm	16-18
10mm	31-32
12mm	56-58
14mm	92-94

Item	QTY	Description	Item	QTY	Description
1#	4	Mounting Brackets	6#	4	M10 Clip Nuts
2#	8	M10X1.5-30mm Hex Bolts	7#	8	M6X1-20mm Square Head Bolts
3#	12	M10 Flat Washers	8#	8	M6 Large Flat Washers
4#	8	M10 Lock Washers	9#	8	M6X1 Nylon Lock Nuts
5#	4	M10X1.5 Hex Nuts			

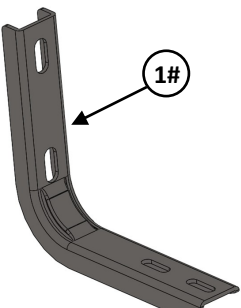
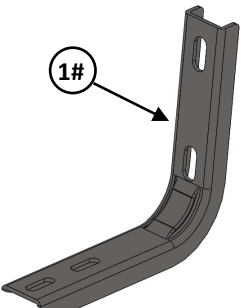
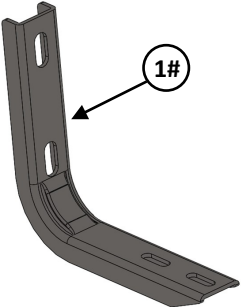
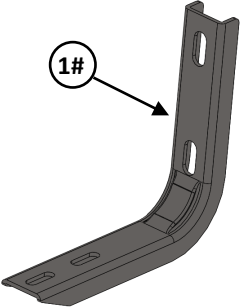
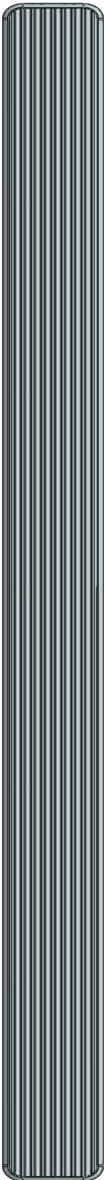


# iBoard®

Driver

Front

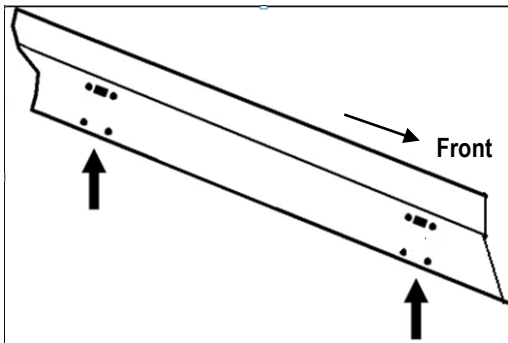
Passenger



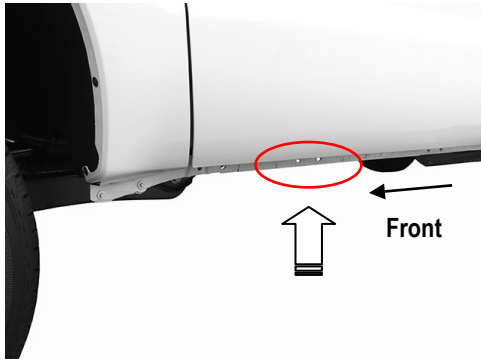
# iBoard®

## STEP 1

Starting on the driver side front of the vehicle. Locate the (2) mounting locations along the bottom of the body, (pinch weld), ( Figs 1-2 ). Each mounting location on the inner body panel is comprised of a rectangular hole with a round hole on each side directly above each pair of holes in the pinch weld.



(Fig 1) Driver Side Mounting Locations (Illustrated Back View of Rocker Panel)

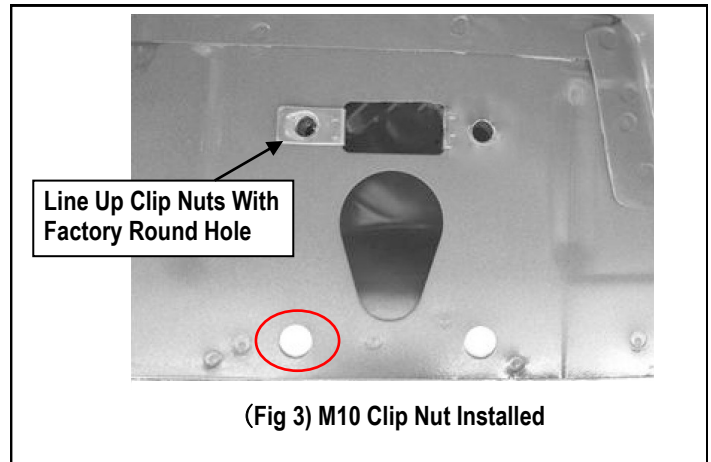


(Fig 2) The Mounting Holes on the Pinch Weld

## STEP 2

Select (1) M10 Clip Nut. Insert the Clip Nut into the rectangular opening. Line up the threaded hole on the Clip Nut with the round hole beside the rectangular opening, (Fig 3).

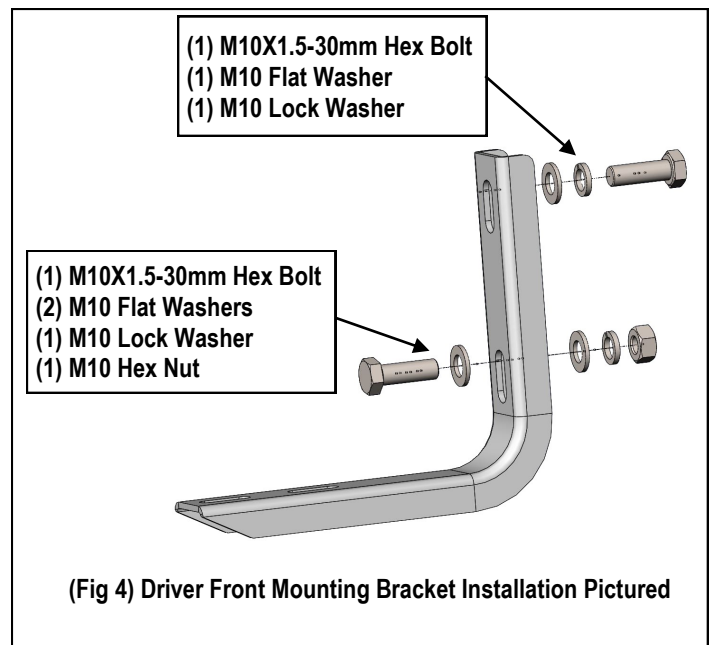
NOTE: Make sure the threaded nut on Clip Nut must toward the inner side of the rocker panel, (Fig 3).



## STEP 3

Partially attach the Driver Front Mounting Bracket to the M10 Clip Nut with the included (1) M10X1.5-30mm Hex Bolt, (1) M10 Lock Washer and (1) M10 Flat Washer, (Fig 4).

Bolt the (1) lower hole on the Mounting Bracket to the (1) hole in the pinch weld with the included (1) M10X1.5-30mm Hex Bolt, (2) M10 Flat Washers, (1) M10 Lock Washer and (1) M10 Hex Nut, (Fig 4). Do not fully tighten hardware at this time.



# iBoard®

## STEP 4

Move along the vehicle to the driver side rear mounting location. Repeat **Steps 1-3** to install the Driver Rear Mounting Bracket.

**Note: (4) Mounting Brackets Are Universal.**

## STEP 5

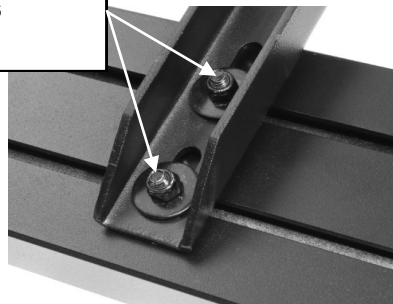
Select (1) Running Board. Slip (2) M6X1-20mm Square Head Bolts into each bottom channel (**Fig 5**). Carefully position the Running Board onto the (2) Mounting Brackets.

**IMPORTANT:** Do not slide the Running Board on the Brackets or the bottom surface of the board will be damaged. Attach the Running Board to each Mounting Brackets with (2) M6x1-20mm Square Head Bolts, (2) M6 Large Flat Washers and (2) M6 X1 Nylon Lock Nuts (**Fig 6**). Do not fully tighten at this time.



(Fig 5) Slip M6X1-20mm Square Head Bolts Into The Bottom Channels

(2) M6X1-20mm Square Head Bolts  
(2) M6 Large Flat Washers  
(2) M6X1 Nylon Lock Nuts



(Fig 6) Running Board Installed Onto Mounting Bracket

## STEP 6

Level and adjust the Running Board and fully tighten all hardware.

## STEP 7

Repeat **Steps 1-6** for the other side Running Board installation. The installation is completed (**Fig 7**).



(Fig 7) Installation Completed

### Attention

Do periodic inspections to the installation to make sure that all hardware is secure and tight.

In order to protect your bars/boards, please use only mild soap/non-abrasive products for cleaning.