

iBoard®



Scan for
Installation Video

iBoard® by APS

PART#: IB-042C&H

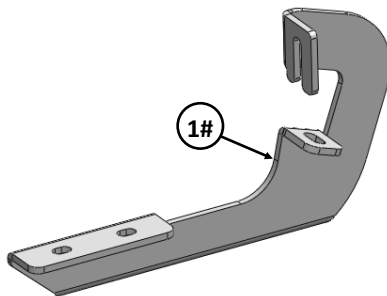
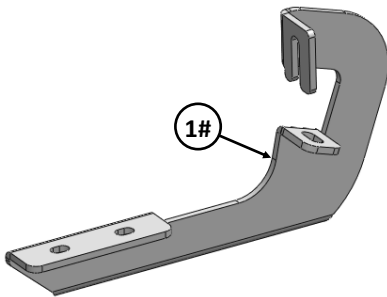
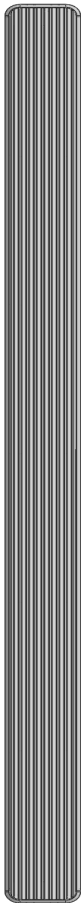
READ INSTRUCTIONS CAREFULLY BEFORE STARTING INSTALLATION. REMOVE CONTENTS FROM BOX AND VERIFY ALL PARTS ARE PRESENT. ASSISTANCE IS RECOMMENDED.

*ROCKER PANEL MOUNT
*NO DRILLING REQUIRED

Fastener Size	Tightening Torque (ft-lbs)	Required
6mm	6-7	X
8mm	16-18	√
10mm	31-32	X
12mm	56-58	X
14mm	92-94	X

PART LIST

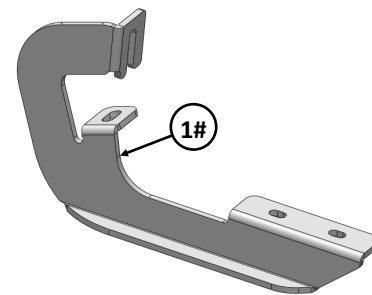
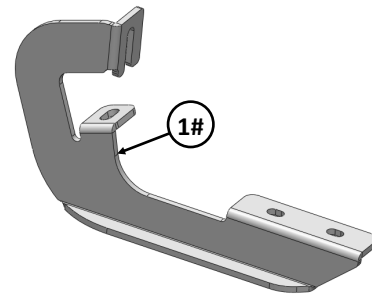
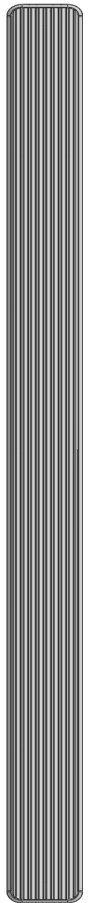
Driver Side Step Bar



Front



Passenger Side Step Bar





Customer Support: info@iboardauto.com




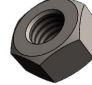
Mounting Bracket List					
Item	QTY	Description	Item	QTY	Description
1#	4	Mounting Brackets			

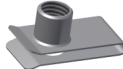
Hardware Package A (For Bracket Installation)					
Item	QTY	Description	Item	QTY	Description
1#	8	M8X1.25-30mm Hex Bolts	4#	4	M8 Hex Nuts
2#	12	M8 Flat Washers	5#	4	M8 Clip Nuts
3#	8	M8 Lock Washers			


1#

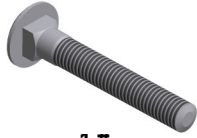

2#



3#



4#

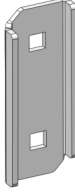

5#

Hardware Package B (For Stainless Steel Step Bar Installation)					
Item	QTY	Description	Item	QTY	Description
1#	8	M8X1.25-35mm Carriage Bolts	3#	8	M8 Nylon Lock Nuts
2#	8	M8 Large Flat Washers	4#	4	Sliders (Packed with Step Bars)


1 #


2 #


3 #

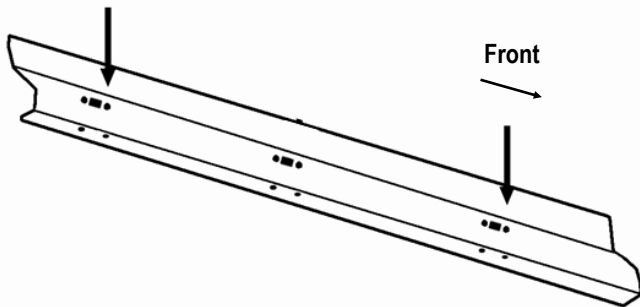

4 #



STEP 1

Starting on the driver side front of the vehicle. Locate the (2) holes on pinch weld. Next, locate the rectangular opening and (2) small holes in the inner side of the body panel directly above the holes in the pinch weld, (Fig 1). Installation will use only the forward holes in each mounting location.

NOTE: The holes in the inner of body panel may be covered by sealing tapes or insulation, remove as required.

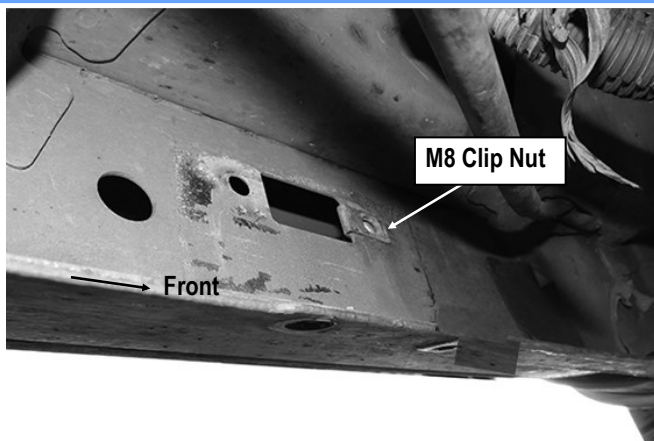


(Fig 1) Driver Side Mounting Bracket Locations

STEP 2

Slide (1) M8 Clip Nut into the rectangular opening with the nut towards the inside. Line up the threaded nut on the clip with the round hole toward the front of the vehicle, (Fig 2).

NOTE: If necessary, hold a mounting Bracket up in position to determine the correct factory mounting holes.



(Fig 2) Driver Side Front Mounting Bracket Location

STEP 3

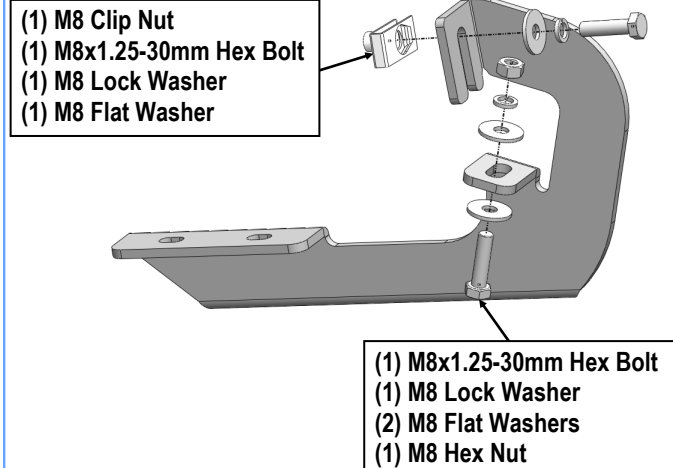
Select a Mounting Bracket. Attach the Mounting Bracket to the installed M8 Clip Nut with the included (1) M8x1.25-30mm Hex Bolt, (1) M8 Lock Washer and (1) M8 Flat Washer.

Attach the lower hole to the pinch weld with (1) M8x1.25-30mm Hex Bolt, (1) M8 Lock Washer and (2) M8 Flat Washers, (1) M8 Hex Nut, (Fig 3). Do not fully tighten hardware at this time.

NOTE:

* All (4) Mounting Brackets are universal.

* Depending on model and year, the brake cable may be run on the inside or outside of the Bracket.

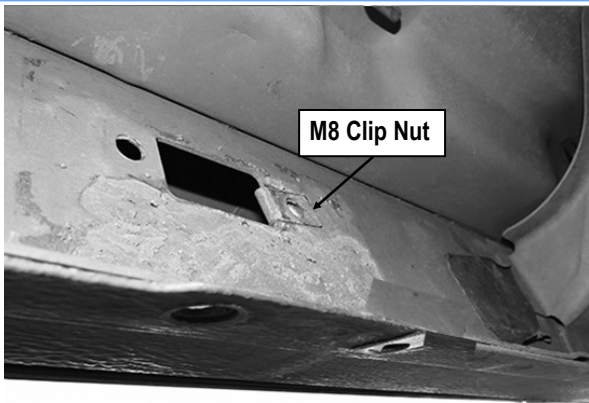


(Fig 3) Driver Side Front Mounting Bracket Installation

STEP 4

Move to the driver side rear mounting location, (Figs 1&4). Locate the last (2) mounting holes in the pinch weld, (Figs 1&4). Repeat Steps 2—3 for the Driver Rear Mounting Bracket installation.

NOTE: All (4) Mounting Brackets are universal.



(Fig 4) Driver Side Rear Mounting Bracket Location

Attention

Do periodic inspections to the installation to make sure that all hardware is secure and tight.

In order to protect your bars/boards, please use mild soap/non-abrasive products for cleaning only.

STEP 5

Once all (2) Driver side mounting brackets are installed, then proceed to the Step Bar installation. (Figs 5 & 6)

- (1) Select (1) Slider and (2) M8X1.25-35mm Carriage Bolts;
- (2) Install (2) M8X1.25-35mm Carriage Bolts in (1) Slider.
- (3) Slide the Slider (with carriage bolts) to the **Step Bar**.
- (4) Repeat to install the other (1) slider to the step bar.
- (5) Attach the Step Bar (with the Sliders) onto the installed mounting brackets. Position the Sliders to the installed brackets. Secure the Step Bar to the installed Brackets by using (4) M8 Large Flat Washers and (4) M8 Nylon Lock Nuts and (2) Sliders, (Fig 6). Do not fully tighten hardware at this time.

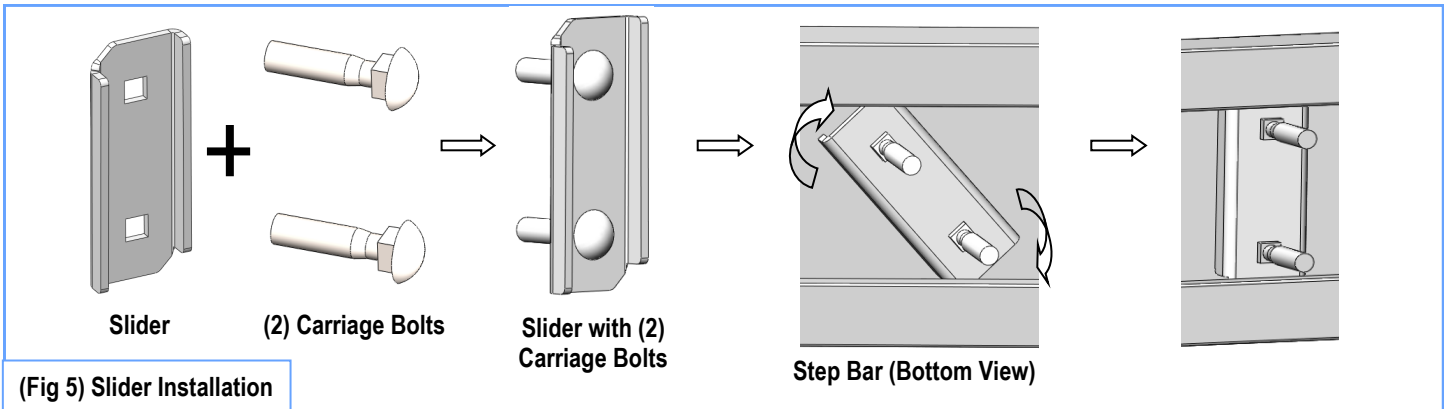
Note: The Sliders are packed with the Step Bars.

Level and adjust the Step Bar and fully tighten all hardware.

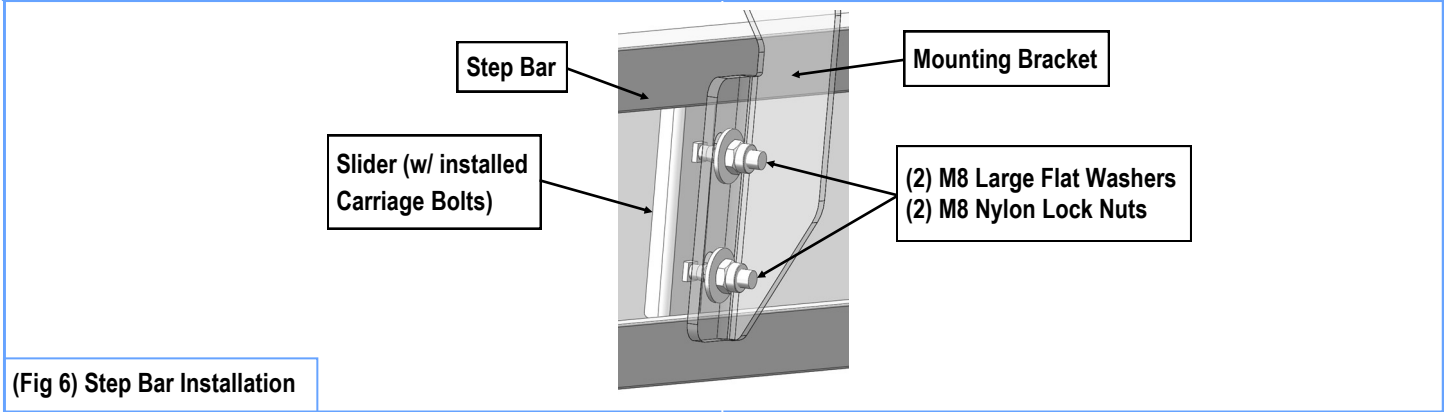
Repeat **Steps 1-5** for the other side Step Bar installation. **The installation is completed!!!**



Scan for
Installation Video



(Fig 5) Slider Installation



(Fig 6) Step Bar Installation