

# iBoard®



Scan for  
Installation Video

## iBoard® by APS

PART#: IB-239/313C&H

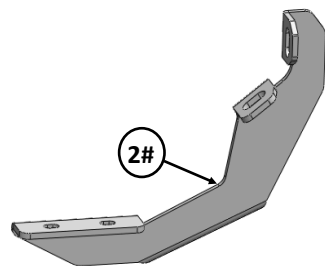
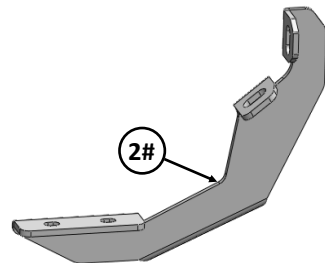
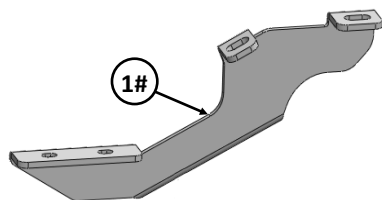
READ INSTRUCTIONS CAREFULLY BEFORE STARTING INSTALLATION. REMOVE CONTENTS FROM BOX AND VERIFY ALL PARTS ARE PRESENT. ASSISTANCE IS RECOMMENDED.

\*ROCKER PANEL MOUNT  
\*NO DRILLING REQUIRED

Fastener Size	Tightening Torque (ft-lbs)	Required
6mm	6-7	X
8mm	16-18	√
10mm	31-32	√
12mm	56-58	X
14mm	92-94	X

### PART LIST

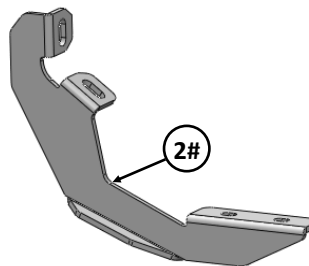
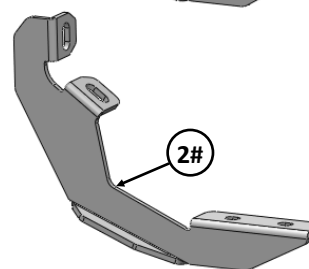
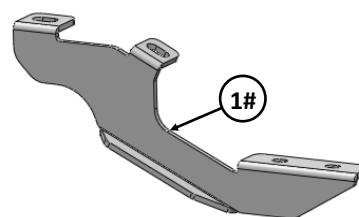
#### Driver Side Step Bar



Front



#### Passenger Side Step Bar

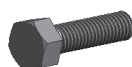


Customer Support: [info@iboardauto.com](mailto:info@iboardauto.com)



Mounting Bracket List					
Item	QTY	Description	Item	QTY	Description
1#	2	Driver / Passenger Front Mounting Brackets	2#	4	Driver/Passenger Center & Rear Mounting Brackets

Hardware Package A (For Bracket Installation)					
Item	QTY	Description	Item	QTY	Description
1#	12	M10X1.5-25mm Hex Bolts	3#	12	M10 Lock Washers
2#	12	M10 Flat Washers			



1#

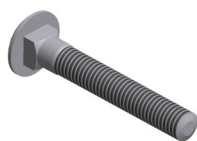


2#



3#

Hardware Package B (For Stainless Steel Step Bar Installation)					
Item	QTY	Description	Item	QTY	Description
1#	12	M8X1.25-35mm Carriage Bolts	3#	12	M8 Nylon Lock Nuts
2#	12	M8 Large Flat Washers	4#	6	Sliders (Packed with Step Bars)



1 #



2 #



3 #

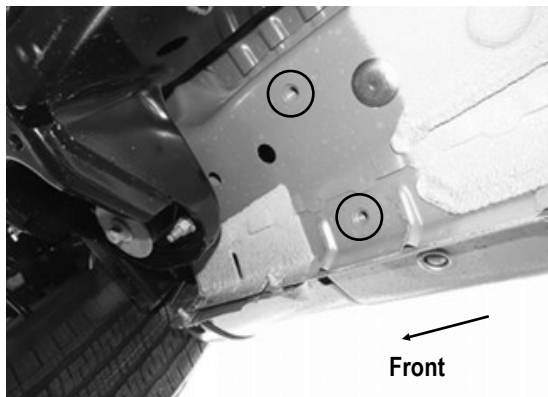


4 #



## STEP 1

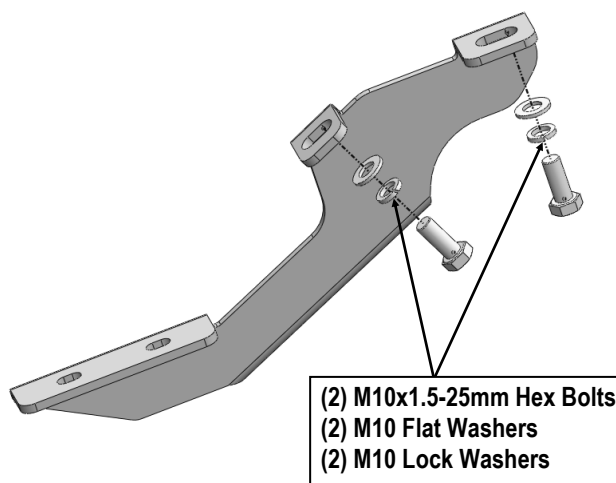
Starting from the Passenger side inner rocker panel, locate the threaded mounting holes on the rocker panel, (Fig 1). Remove the plastic plugs covering the mounting holes.



(Fig 1) Passenger Front Mounting Bracket Location

## STEP 2

Select Passenger Front Mounting Bracket . Attach to Passenger front location with (2) M10x1.5-25mm Hex Bolts, (2) M10 Flat Washers and (2) M10 Lock Washers (Fig 2). Do not tighten hardware at this time.

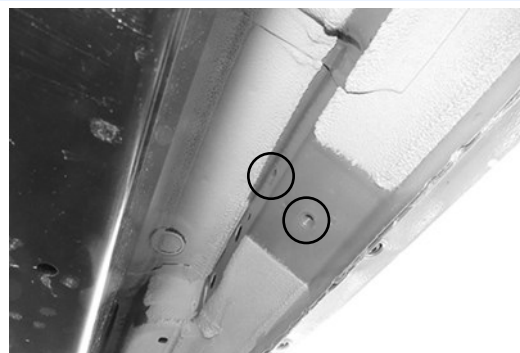


(Fig 2) Passenger Front Mounting Bracket Installation

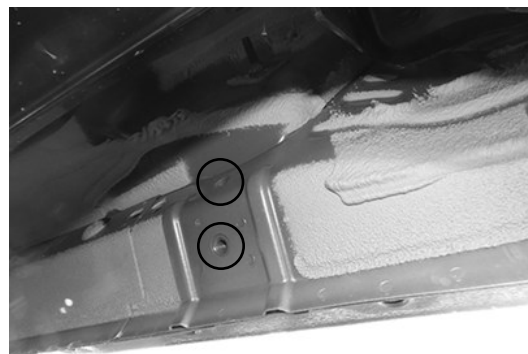
## STEP 3

Move to center & rear mounting locations, (Fig 3-4). Repeat Steps 1-2 to installation Passenger Center & Rear Mounting Brackets, (Fig 5).

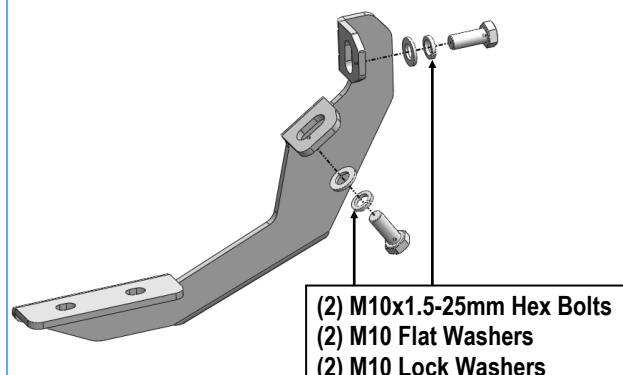
**Note: (4) Driver/Passenger Center & Rear Mounting Brackets are universal .**



(Fig 3) Passenger Center Mounting Location



(Fig 4) Passenger Rear Mounting Location



(Fig 5) Passenger Center/Rear Mounting Bracket Installation



## STEP 4

Once all (3) Passenger side mounting brackets are installed, then proceed to the Step Bar installation. (**Figs 6 & 7**)

- (1) Select (1) Slider and (2) M8X1.25-35mm Carriage Bolts;
- (2) Install (2) M8X1.25-35mm Carriage Bolts in (1) Slider.
- (3) Slide the Slider (with carriage bolts) to the **Step Bar**.
- (4) Repeat to install the other (2) sliders to the step bar.
- (5) Attach the Step Bar (with the Sliders) onto the installed mounting brackets. Position the Sliders to the installed brackets. Secure the Step Bar to the installed Brackets by using (6) M8 Large Flat Washers and (6) M8 Nylon Lock Nuts and (3) Sliders, (**Fig 7**). Do not fully tighten hardware at this time.

**Note:** The Sliders are packed with the Step Bars.

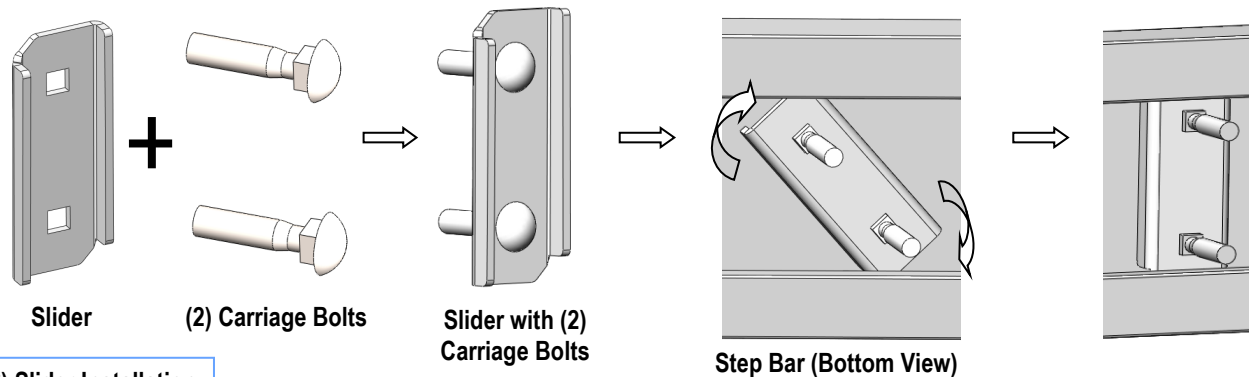
Level and adjust the Step Bar and fully tighten all hardware.

Repeat **Steps 1-4** for the other side Step Bar installation. **The installation is completed!!!**

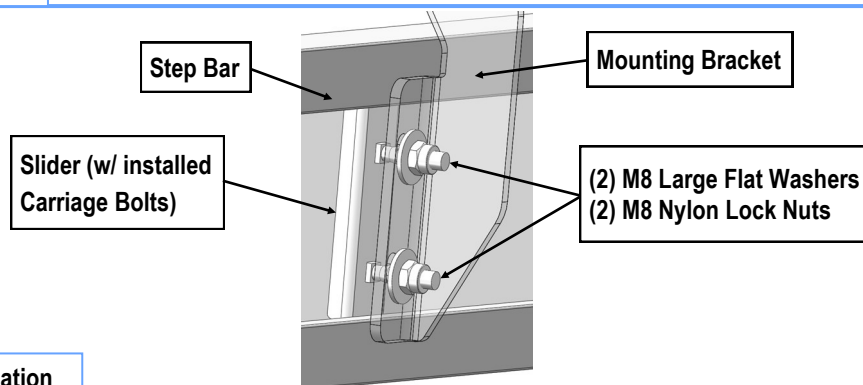
### Attention

**Do periodic inspections to the installation to make sure that all hardware is secure and tight.**

**In order to protect your bars/boards, please use mild soap/non-abrasive products for cleaning only.**



(Fig 6) Slider Installation



(Fig 7) Step Bar Installation