

iBoard®



Scan for
Installation Video

iBoard® by APS

PART#: IB-159L&258[L,S] C&H

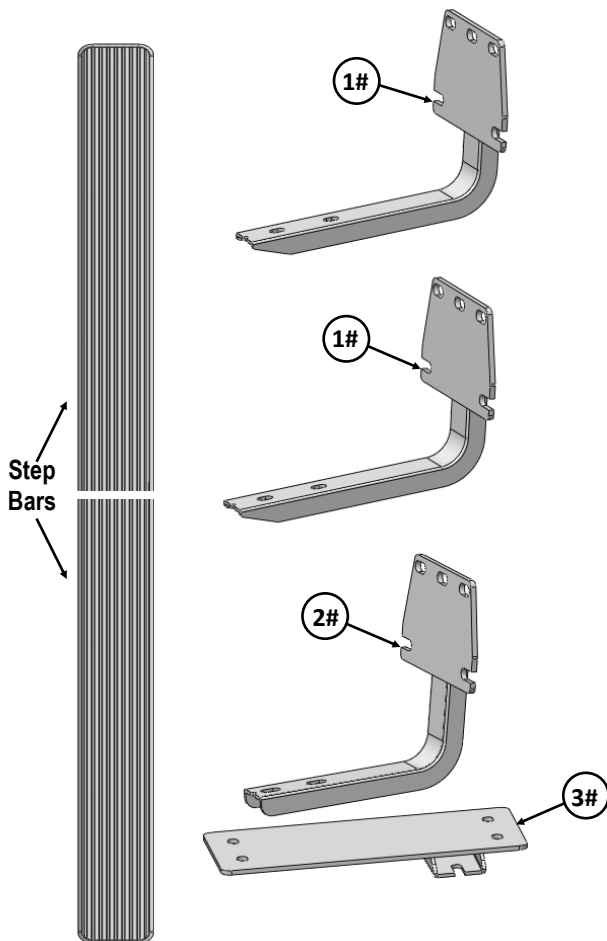
READ INSTRUCTIONS CAREFULLY BEFORE STARTING INSTALLATION. REMOVE CONTENTS FROM BOX AND VERIFY ALL PARTS ARE PRESENT. ASSISTANCE IS RECOMMENDED.

*ROCKER PANEL MOUNT
*NO DRILLING REQUIRED

Fastener Size	Tightening Torque (ft-lbs)	Required
6mm	6-7	X
8mm	16-18	√
10mm	31-32	X
12mm	56-58	X
14mm	92-94	X

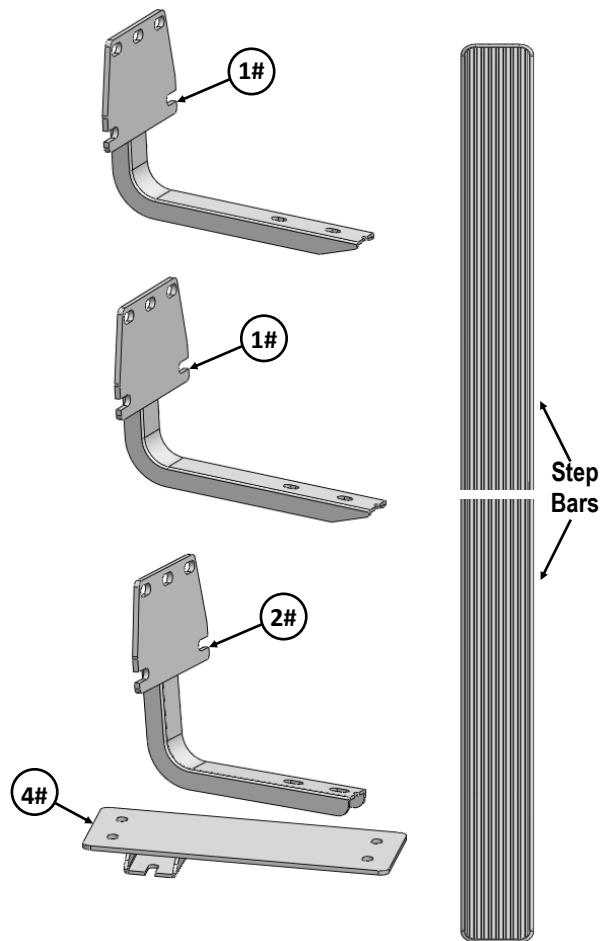
PART LIST

Driver Side Step Bar



Front

Passenger Side Step Bar





Customer Support: info@iboardauto.com

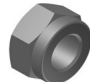


Mounting Bracket List					
Item	QTY	Description	Item	QTY	Description
1#	4	Front & Center Mounting Brackets	3#	1	Driver Rear Bar Bracket
2#	2	Driver / Passenger Rear Mounting Brackets	4#	1	Passenger Rear Bar Bracket

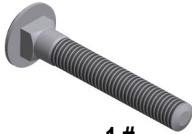
Hardware Package A (For Bracket Installation)					
Item	QTY	Description	Item	QTY	Description
1#	4	M8X1.25-25mm Hex Bolts	3#	22	M8X1.25 Nylon Lock Nuts
2#	26	M8 Large Flat Washers			



1 #

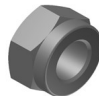

2 #

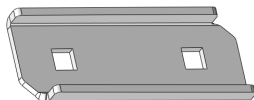

3 #

Hardware Package B (For Stainless Steel Step Bar Installation)					
Item	QTY	Description	Item	QTY	Description
1#	16	M8X1.25-35mm Carriage Bolts	3#	16	M8 Nylon Lock Nuts
2#	16	M8 Large Flat Washers	4#	8	Sliders (Packed with Step Bars)



1 #

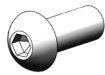

2 #



3 #



4 #

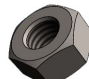
Hardware Package C (For Stainless Steel Step Bar Assembly)					
Item	QTY	Description	Item	QTY	Description
1#	8	Plastic Rivets	5#	4	M8 Hex Nuts
2#	12	M8X1.25-25mm Inner Hex Bolts	6#	2	Plastic Covers (Packed with Step Bars)
3#	16	M8 Flat Washers	7#	2	Back Plates (Packed with Step Bars)
4#	12	M8 Lock Washers			

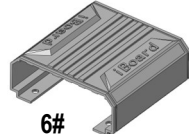

1 #

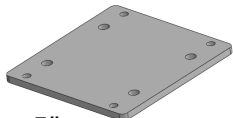

2 #


3 #


4 #


5 #


6 #

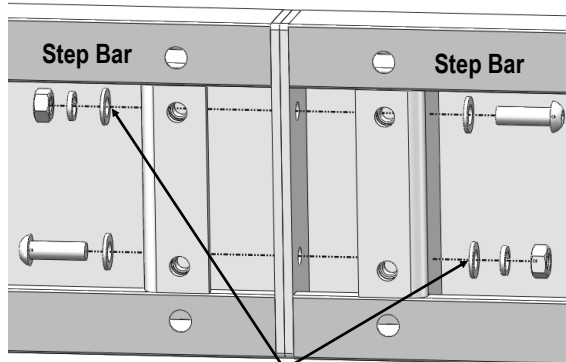

7 #



STEP 1

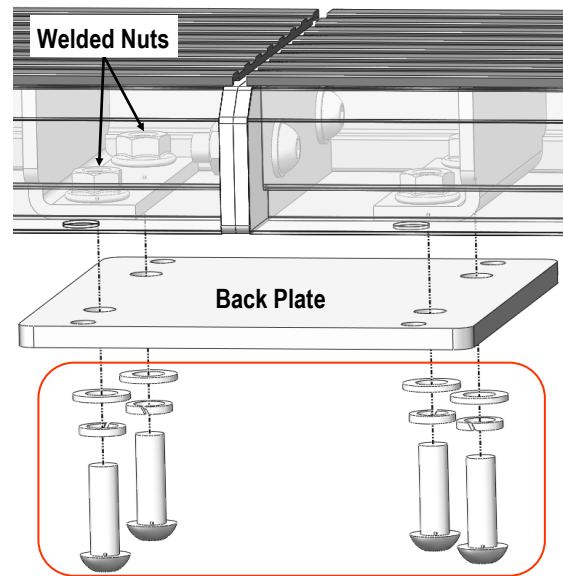
Step Bar Assembly:

1. Select and assemble (2) Step Bars with (2) M8X1.25-25mm Inner Hex Bolts, (4) M8 Flat Washers, (2) M8 Lock Washers and (2) M8 Hex Nuts, (**Fig 1**). **NOTE: (4) Step Bars are universal.**
2. Attach (1) Back Plate to the bottom of the installed (2) Step Bars with (4) M8X1.25-25mm Inner Hex Bolts, (4) M8 Flat Washers, (4) M8 Lock Washers, (**Fig 2**).
3. Install (1) Plastic Cover to cover the joint of (2) Step bars with (4) Plastic Rivets, (**Fig 3**).
4. Repeat to assemble the other (2) Step Bars.



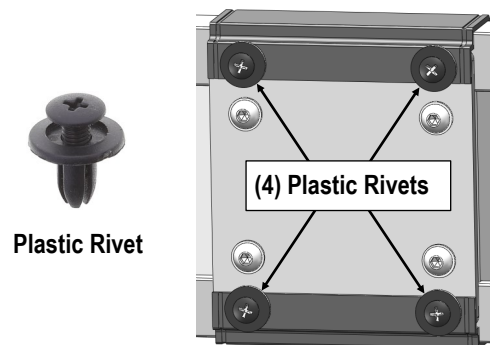
(2) M8X1.25-25mm Inner Hex Bolts
(4) M8 Flat Washers
(2) M8 Lock Washers
(2) M8 Hex Nuts

(Fig 1) Step Bars Assembly



(4) M8X1.25-25mm Inner Hex Bolts
(4) M8 Flat Washers
(4) M8 Lock Washers

(Fig 2) Back Plate Installation



(Fig 3) Plastic Cover Installation
(Bottom View)

Assembled Step Bars





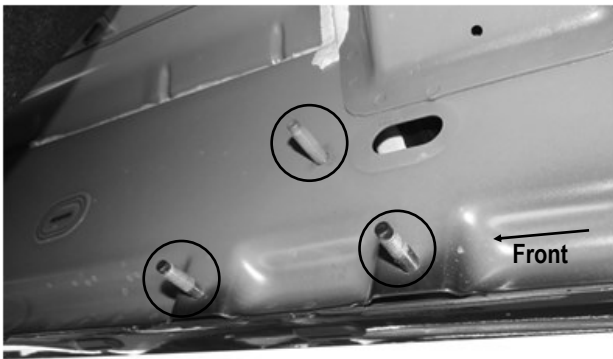
STEP 2

Starting at the Passenger Side of the vehicle, locate the factory studs on the vehicle.

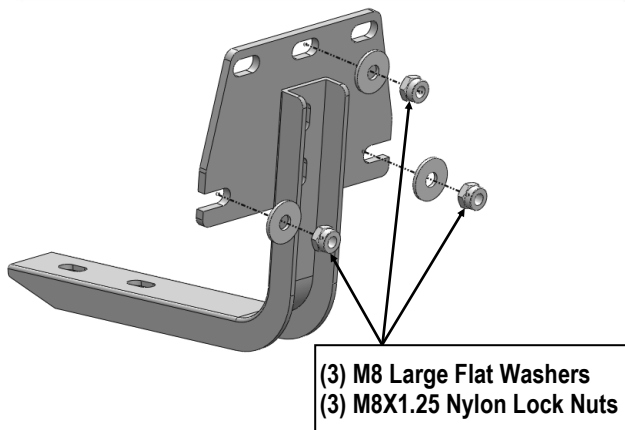
STEP 3

Start from the Passenger side Front Mounting location, (Fig 4). Bolt the Passenger Front Mounting Bracket to the vehicle with: (3) M8 Flat Washers, (3) M8X1.25 Nylon Lock Nuts, (Fig 5). Do not fully tighten hardware at this time.

Note: All (4) Front and Center Mounting Brackets are universal.



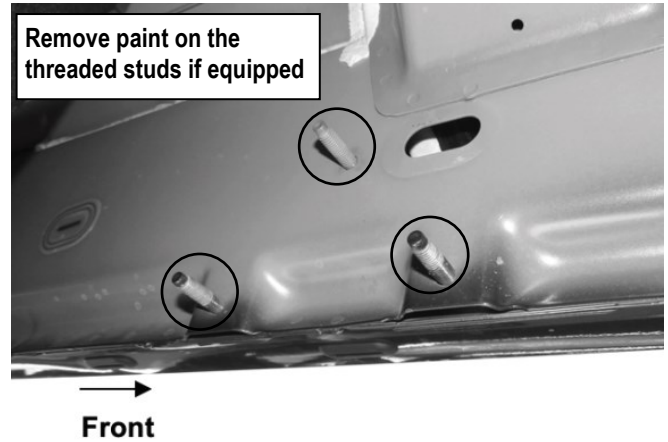
(Fig 4) Passenger Side Mounting Location



(Fig 5) Passenger Front Mounting Bracket Installation

STEP 4

Repeat **Step 3** to install the Passenger Center Mounting Bracket and Passenger Rear Mounting Bracket on Passenger Side of the vehicle. (Figs 6&7) Do not fully tighten hardware at this time.



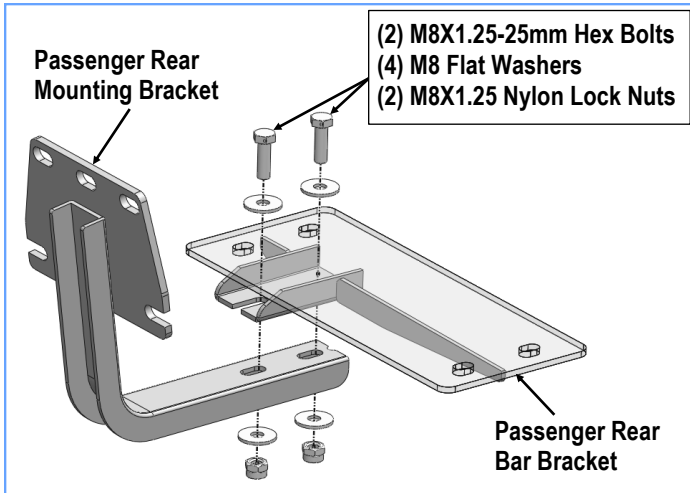
(Fig 6) Driver Side Center Mounting Location



(Fig 7) Driver Side Rear Mounting Location

STEP 5

Attach the Passenger Rear Bar Bracket to the installed Passenger Rear Mounting Bracket with (2) M8X1.25-25mm Hex Bolts, (4) M8 Flat Washers, (2) M8X1.25 Nylon Lock Nuts, (Fig 8). Do not fully tighten hardware at this time.



(Fig 8) Passenger Rear Bar Bracket and Passenger Rear Mounting Bracket Assembly

Attention

Do periodic inspections to the installation to make sure that all hardware is secure and tight.

In order to protect your bars/boards, please use mild soap/non-abrasive products for cleaning only.

STEP 6

Once all (3) Passenger side mounting brackets are installed, then proceed to the Step Bar installation. (Figs 9 & 10)

- (1) Select (1) Slider and (2) M8X1.25-35mm Carriage Bolts;
- (2) Install (2) M8X1.25-35mm Carriage Bolts in (1) Slider.
- (3) Slide the Slider (with carriage bolts) to the **Step Bar**.
- (4) Repeat to install the other (2) sliders to the step bar.
- (5) Attach the Step Bar (with the Sliders) onto the installed mounting brackets. Position the Sliders to the installed brackets. Secure the Step Bar to the installed Brackets by using (8) M8 Large Flat Washers and (8) M8 Nylon Lock Nuts and (4) Sliders, (Fig 10). Do not fully tighten hardware at this time.

Note: The Sliders are packed with the Step Bars.

Level and adjust the Step Bar and fully tighten all hardware.

Repeat **Steps 2-6** for the other side Step Bar installation. **The installation is completed!!!**



Scan for
Installation Video

