

iBoard®



Scan for
Installation Video

iBoard® by APS

PART#: IB-P002Y&H

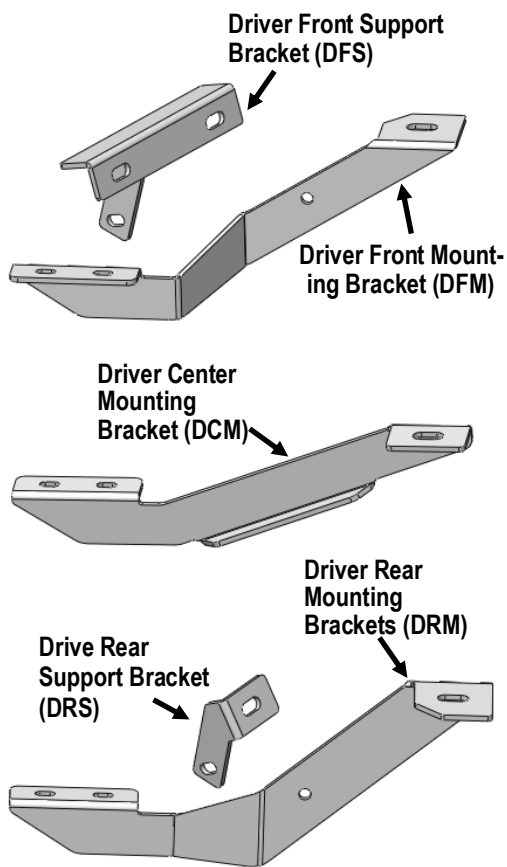
READ INSTRUCTIONS CAREFULLY BEFORE STARTING INSTALLATION. REMOVE CONTENTS FROM BOX AND VERIFY ALL PARTS ARE PRESENT. ASSISTANCE IS RECOMMENDED.

*ROCKER PANEL MOUNT
*DRILLING NOT REQUIRED

Fastener Size	Tightening Torque (ft-lbs)	Required
6mm	6-7	X
8mm	16-18	√
10mm	31-32	√
12mm	56-58	√
14mm	92-94	X

PART LIST

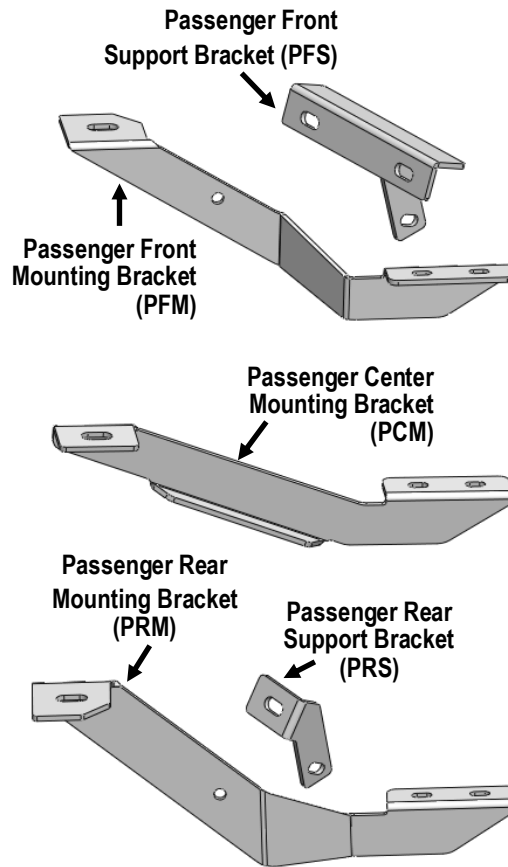
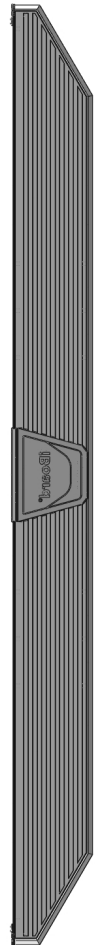
Driver Side Step Bar



Front



Passenger Side Step Bar



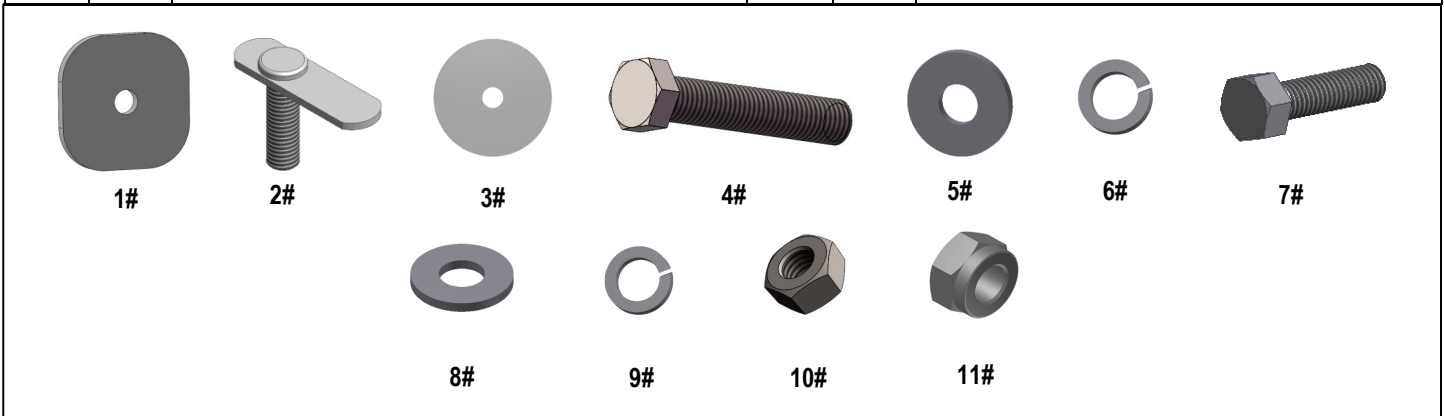
Customer Support: info@iboardauto.com



Scan for
Installation Video

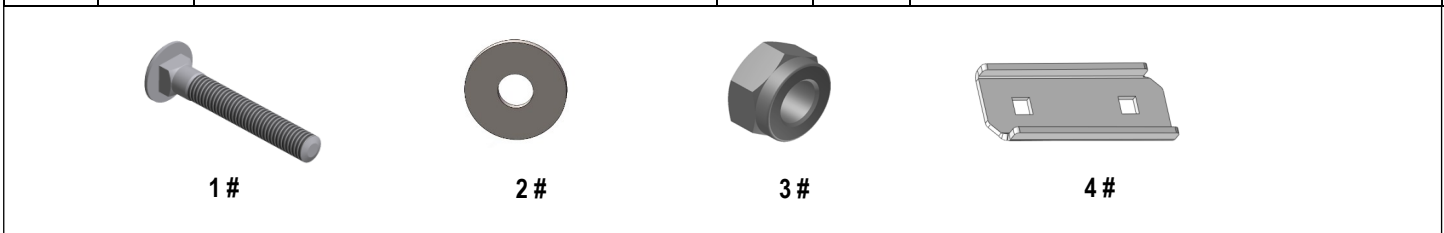
Hardware Package A (For Bracket Installation)

Item	QTY	Description	Item	QTY	Description
1#	6	Spacer Plates	7#	4	M10X1.5-35 Hex Bolts
2#	6	M10X35 Bolt Plates	8#	14	M10 Flat Washers
3#	6	M10 Plastic Washers	9#	6	M10 Lock Washers
4#	6	M12X1.75-120 Hex Bolts	10#	6	M10 Hex Nuts
5#	6	M12 Large Flat Washers	11#	4	M10 Nylon Lock Nuts
6#	6	M12 Lock Washers			



Hardware Package B (For Step Bar Installation)

Item	QTY	Description	Item	QTY	Description
1#	12	M8X1.25-35mm Carriage Bolts	3#	12	M8 Nylon Lock Nuts
2#	12	M8 Large Flat Washers	4#	6	Sliders (Packed with Mounting Brackets)



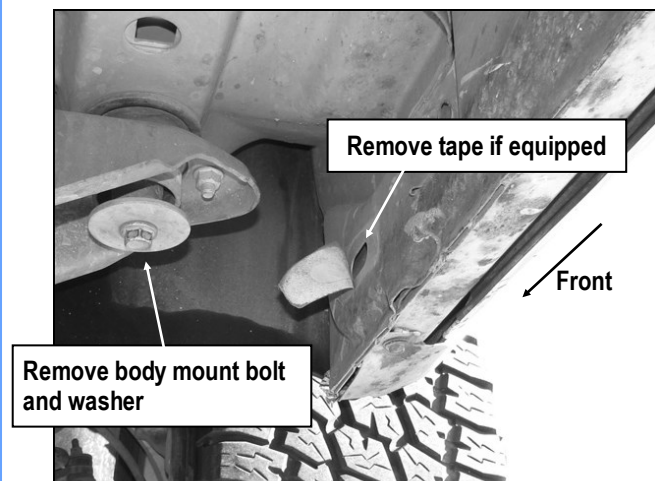


STEP 1

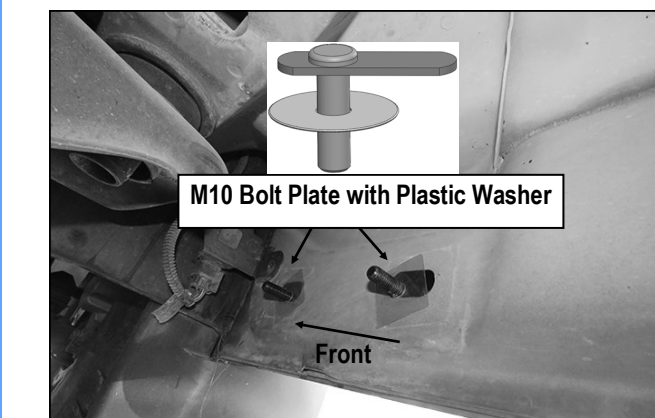
Start installation from the passenger side front of the vehicle. Remove the tape covering the factory holes on the rocker panel if equipped. Remove the body mount bolt and washer, (Fig 1).

Insert (2) M10X35 Bolt Plates into the holes on the rocker panel. Thread (2) M10 Plastic Washers to the bolt plates to hold them in place, (Fig 2).

NOTE: The Plastic Washer is designed to keep the Bolt Plate from falling into the body panel during bracket installation.



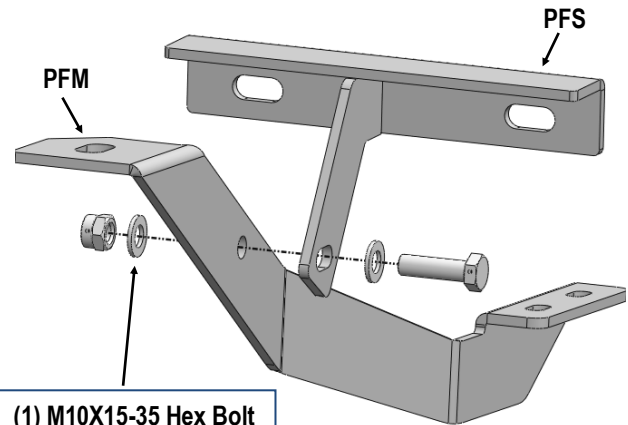
(Fig 1) Passenger Side Front Mounting Location



(Fig 2) M10 Bolt Plates with M10 Plastic Washers
(on Passenger Side Front Mounting Location)

STEP 2

Assemble Passenger Side Front Mounting Bracket (PFM) and Passenger Side Front Support Bracket (PFS), (Fig 3). Do not fully tighten hardware at this time.



- (1) M10X15-35 Hex Bolt
- (2) M10 Flat Washers
- (1) M10 Nylon Lock Nut

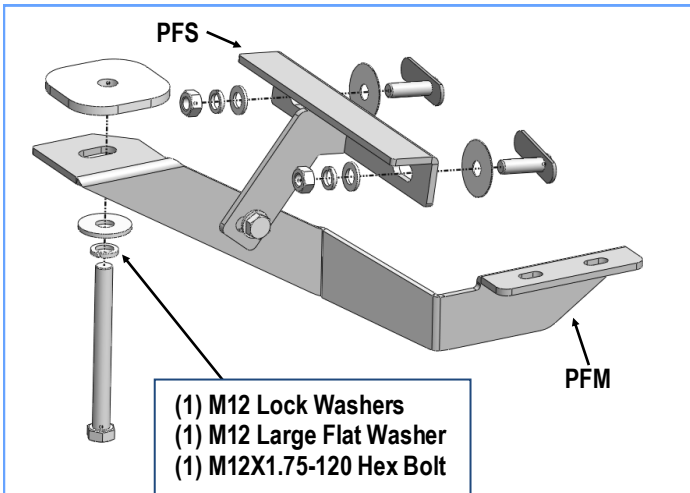
(Fig 3) Passenger Front Mounting Bracket Assembly

STEP 3

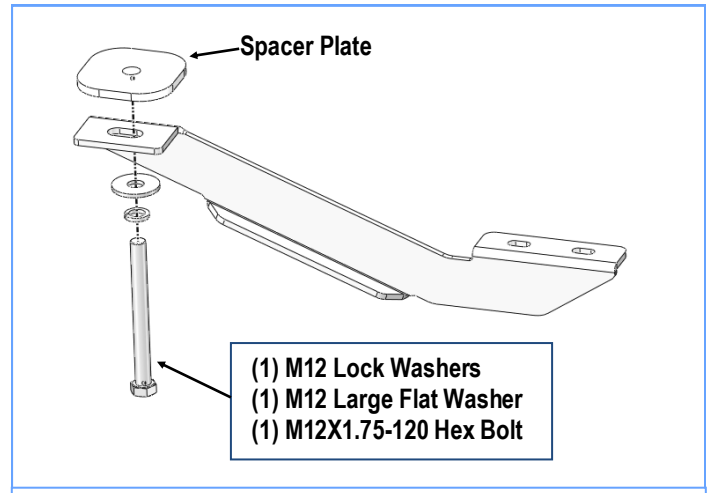
Attach the Passenger Front Support Bracket (PFS) to the installed M10 Bolt Plates with (2) M10 Flat Washers, (2) M10 Lock Washers and (2) M10X1.5 Hex Nuts, (Fig 4). Don't fully tighten hardware at this time.

Insert (1) Spacer Plate between Front Mounting Bracket and factory rubber bushing. Attach the Passenger Front Mounting Bracket (PFM) to the body mount with (1) M12X1.75-120 Hex Bolt, (1) M12 Lock Washer, (1) M12 Large Flat Washer, (Fig 4). Don't fully tighten hardware at this time.

Note: Insert (1) Spacer Plate between each Front / Center / Rear Mounting Bracket and factory rubber bushing.



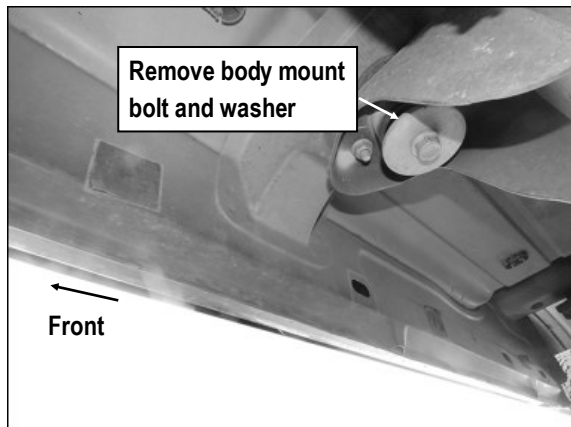
(Fig 4) Passenger Front Mounting Bracket Installation



(Fig 6) Passenger Side Center Mounting Bracket Installation

STEP 4

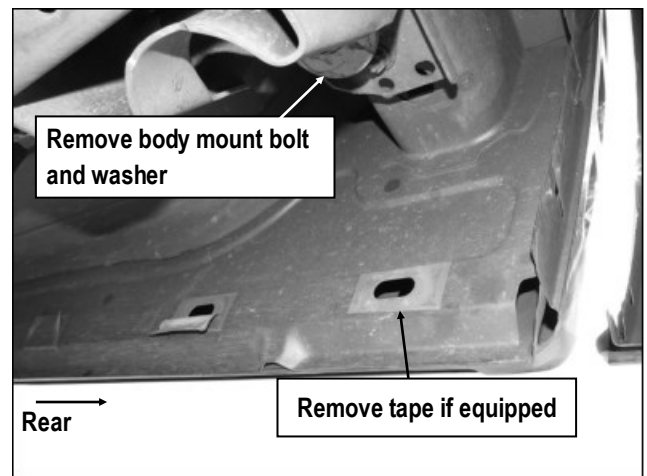
Move to Passenger side Center Mounting Location, (Fig 5). Remove the body mount bolt and washer. Insert (1) Spacer Plate between Front Center Mounting Bracket and factory rubber bushing. Then install Passenger Center Mounting Bracket (PCM) to the center body mount with (1) M12X1.75-120 Hex Bolt, (1) M12 Lock Washer, (1) M12 Large Flat Washer, (Fig 6). Don't fully tighten hardware at this time.



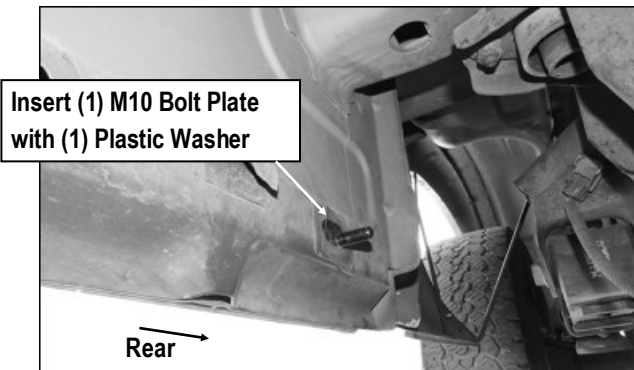
(Fig 5) Passenger Side Center Mounting Location

STEP 5

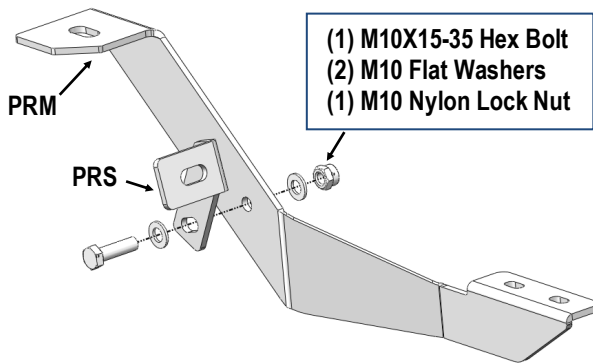
Move to Passenger Side Rear Mounting Location, (Fig 7). Only (1) Oval hole on the rocker panel will be used. Repeat Steps 1-4 to install Passenger Side Rear Mounting Brackets (PRM & PRS), (Fig 8-10). Don't fully tighten hardware at this time.



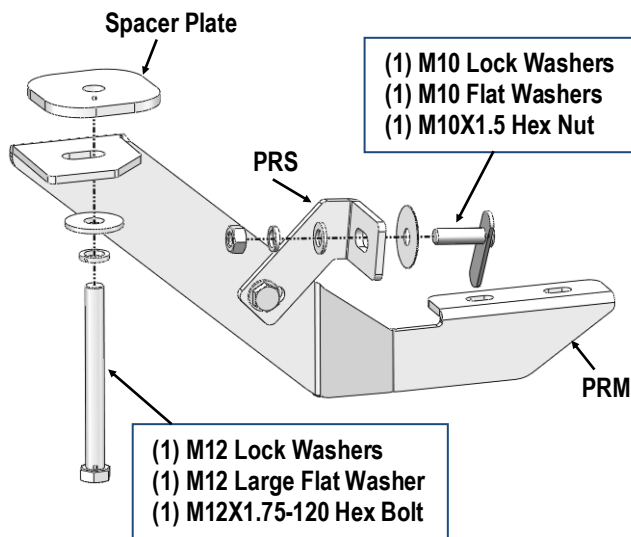
(Fig 7) Passenger Side Rear Mounting Location



(Fig 8) Insert M10 Bolt Plate with (1) M10 Plastic Washer (on Passenger Side Rear Mounting Location)



(Fig 9) Passenger Rear Mounting Brackets Assembly



(Fig 10) Passenger Side Rear Mounting Bracket Installation

STEP 6

Once all (3) Passenger side mounting brackets are installed, then proceed to the Step Bar installation. (Figs 11 & 12)

- (1) Select (1) Slider and (2) M8X1.25-35mm Carriage Bolts;
- (2) Install (2) M8X1.25-35mm Carriage Bolts in (1) Slider.
- (3) Slide the Slider (with carriage bolts) to the **Step Bar**.
- (4) Repeat to install the other (2) sliders to the step bar.

(5) Attach the Step Bar (with the Sliders) onto the installed mounting brackets. Position the Sliders to the installed brackets. Secure the Step Bar to the installed Brackets by using (6) M8 Large Flat Washers and (6) M8 Nylon Lock Nuts and (3) Sliders, (Fig 12). Do not fully tighten hardware at this time.

Note: The Sliders are packed with the Mounting Brackets.

Level and adjust the Step Bar and fully tighten all hardware.

Repeat **Steps 1-6** for the other side Step Bar installation. **The installation is completed!!!**

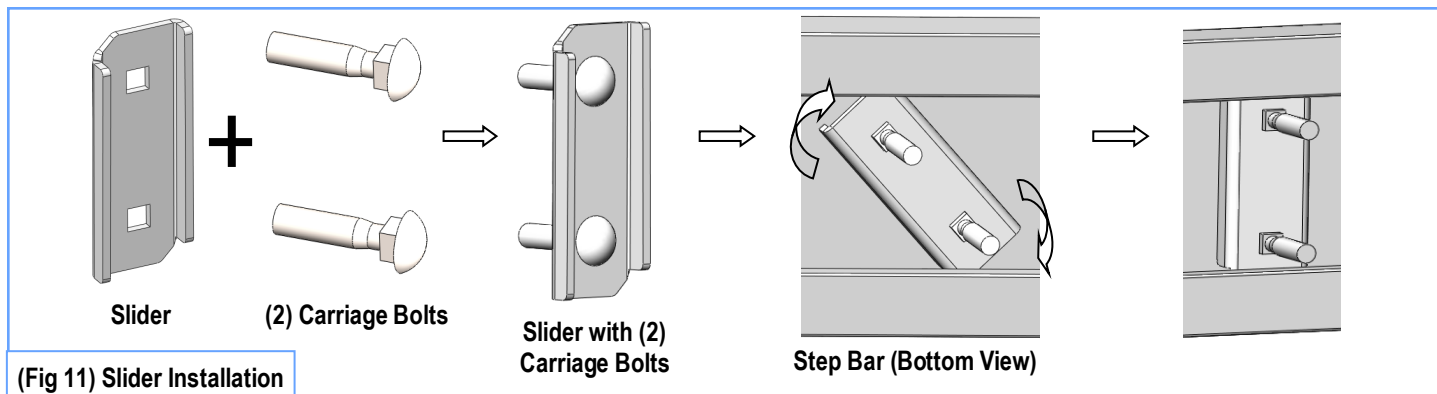
Attention

Do periodic inspections to the installation to make sure that all hardware is secure and tight.

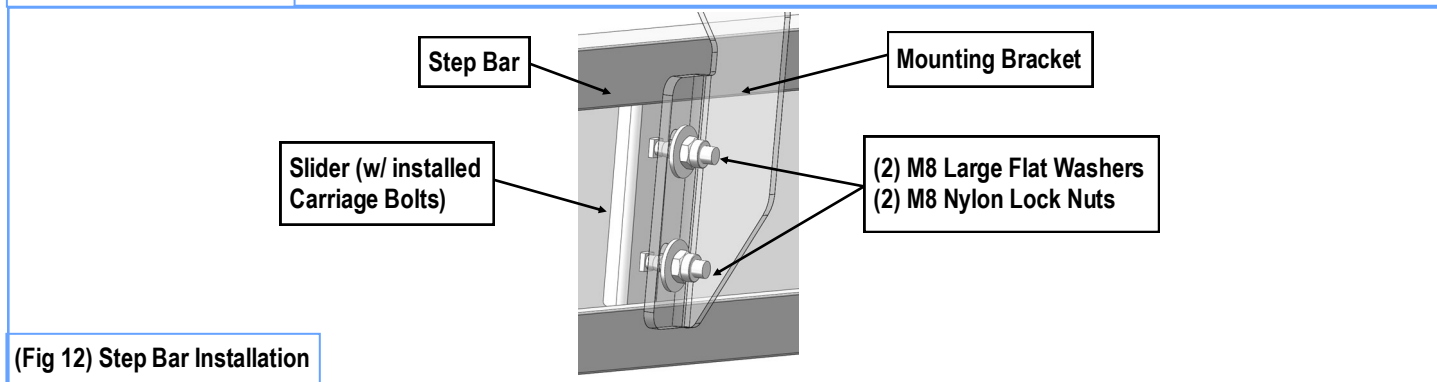
In order to protect your bars/boards, please use mild soap/non-abrasive products for cleaning only.



Scan for
Installation Video



(Fig 11) Slider Installation



(Fig 12) Step Bar Installation