



iBoard® by APS

PART#: IB-P064Y&H

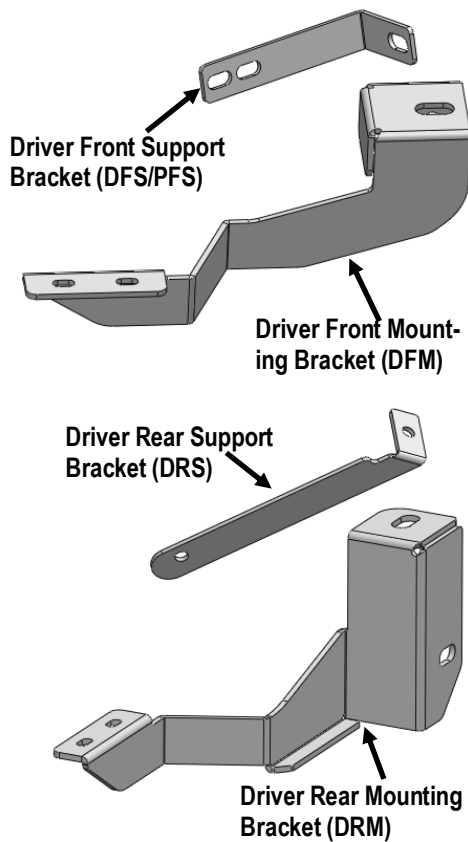
READ INSTRUCTIONS CAREFULLY BEFORE STARTING INSTALLATION. REMOVE CONTENTS FROM BOX AND VERIFY ALL PARTS ARE PRESENT. ASSISTANCE IS RECOMMENDED.

*BODY FRAME MOUNT
*NO DRILLING REQUIRED

Fastener Size	Tightening Torque (ft-lbs)	Required
6mm	6-7	√
8mm	16-18	√
10mm	31-32	√
12mm	56-58	√
14mm	92-94	X

PART LIST

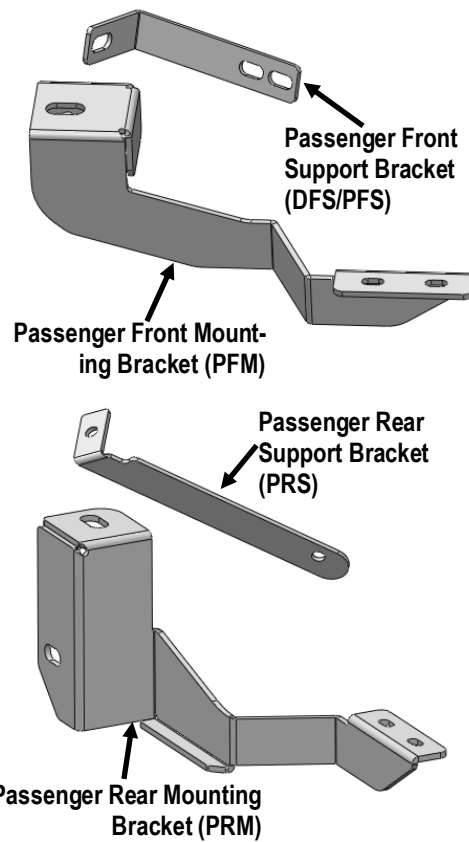
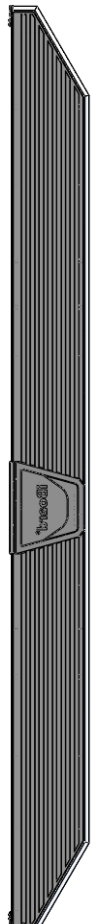
Driver Side Step Bar



Front



Passenger Side Step Bar



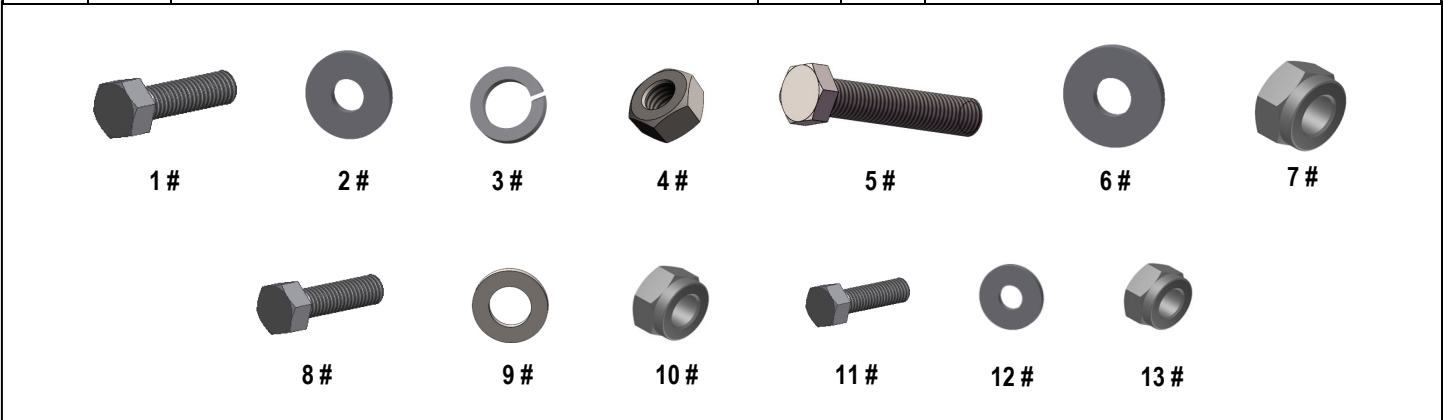
Note: Driver & Passenger Front Support Brackets are universal.



Scan for
Installation Video

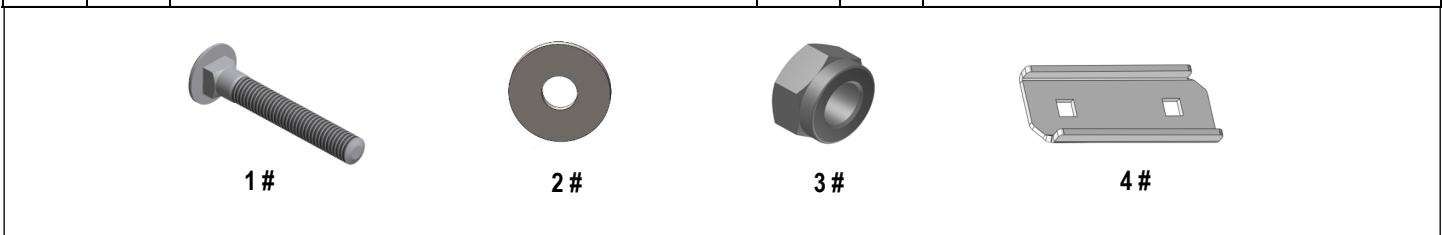
Hardware Package A (For Bracket Installation)

Item	QTY	Description	Item	QTY	Description
1#	6	M10X1.5-30mm Hex Bolts	8#	2	M8X1.25-25mm Hex Bolts
2#	12	M10 Flat Washers	9#	4	M8 Flat Washers
3#	6	M10 Lock Washers	10#	2	M8X1.25 Nylon Lock Nuts
4#	6	M10 Hex Nuts	11#	2	M6X1-30mm Hex Bolts
5#	2	M12X1.75-100mm Hex Bolts	12#	4	M6 Large Flat Washers
6#	4	M12 Flat Washers	13#	2	M6 Nylon Lock Nuts
7#	2	M12 Nylon Lock Nuts			



Hardware Package B (For Stainless Steel Step Bar Installation)

Item	QTY	Description	Item	QTY	Description
1#	8	M8X1.25-35mm Carriage Bolts	3#	8	M8 Nylon Lock Nuts
2#	8	M8 Large Flat Washers	4#	4	Sliders (Packed with Mounting Brackets)



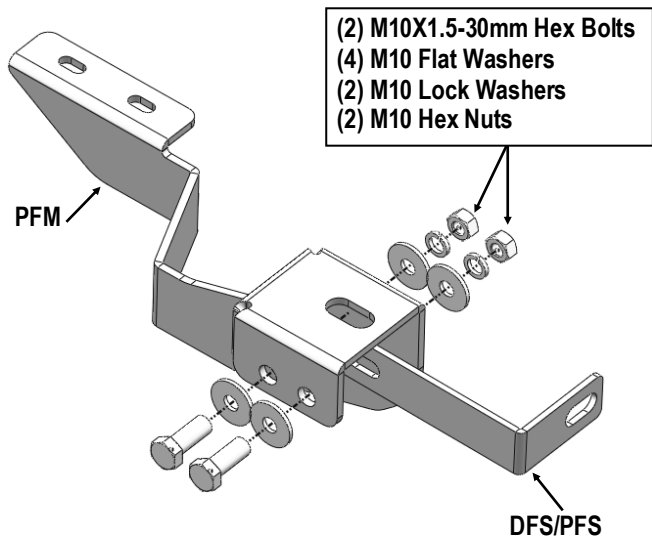


STEP 1

Start installing from the passenger side front of the vehicle. Remove the passenger front body mount bolt.

STEP 2

Assemble Passenger Front Mounting Bracket (PFM) and Passenger Front Support Bracket (DFS/PFS) with (2) M10X1.5-30mm Hex Bolts, (4) M10 Flat Washers, (2) M10 Lock Washers and (2) M10 Hex Nuts, (Figs 1&3). Do not fully tighten hardware at this time.

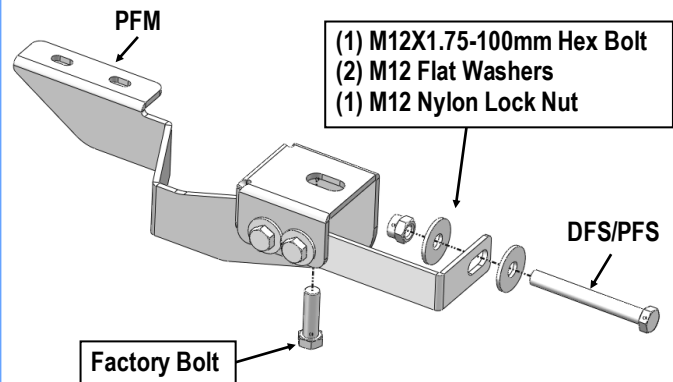


(Fig 1) Passenger Side Front Brackets Assembly

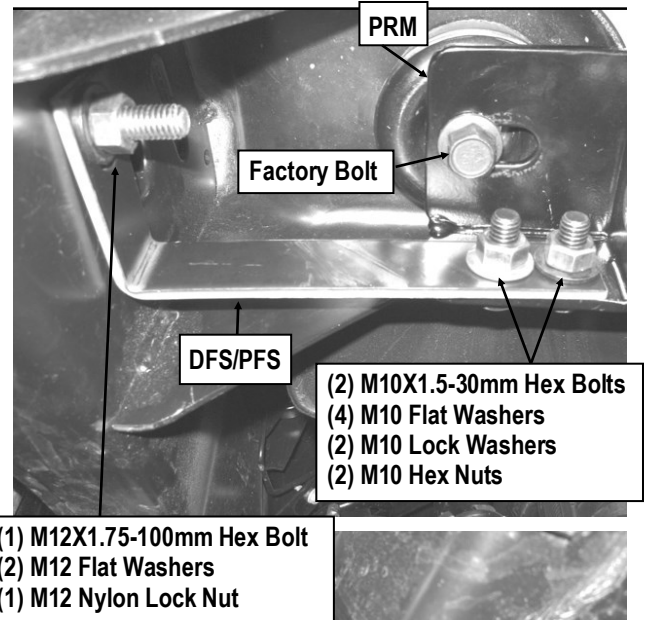
STEP 3

Attach the assembled Passenger Front Mounting Bracket (PFM) to the vehicle with factory bolt, (Figs 2 & 3).

Attach Passenger Front Support Bracket (DFS/PFS) to smaller factory hole in the frame by using (1) M12X1.75-100mm Hex Bolt, (1) M12 Nylon Lock Nut, (2) M12 Flat Washers, (Fig 2 & 3). Do not fully tighten hardware at this time.



(Fig 2) Passenger Side Front Brackets Installation



(Fig 3) Passenger Side Front Brackets Installed

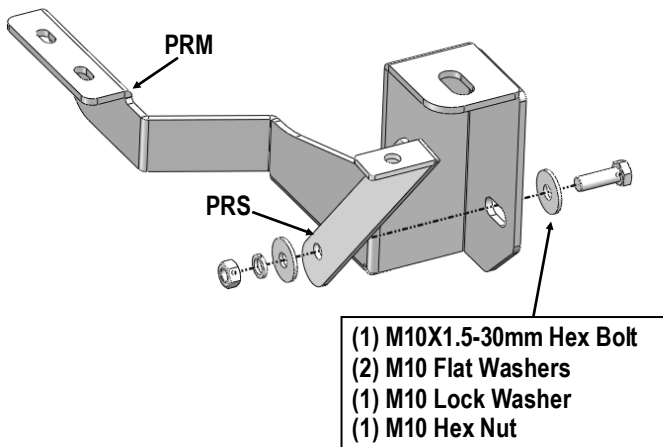


STEP 4

Move to the passenger side rear mounting location. Remove the passenger rear body mount bolt.

STEP 5

Assemble Passenger Rear Mounting Bracket (**PRM**) and Passenger Rear Support Bracket (**PRS**) with (1) M10X1.5-30mm Hex Bolt, (2) M10 Flat Washers, (1) M10 Lock Washer and (1) M10 Hex Nut, (**Fig 4**). Do not fully tighten hardware at this time.



(Fig 4) Passenger Side Rear Brackets Assembly

STEP 6

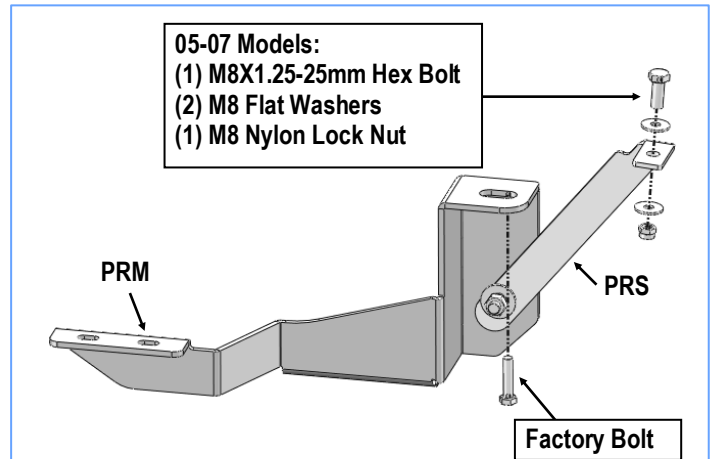
Attach the assembled Passenger Rear Mounting Bracket (**PRM**) to the vehicle with factory bolts, (**Fig 5 & 6**). Attach Passenger Rear Support Bracket (**PRS**) to the factory hole on the inner side of body mount cavity and closer to the frame using:

05-07 Models:

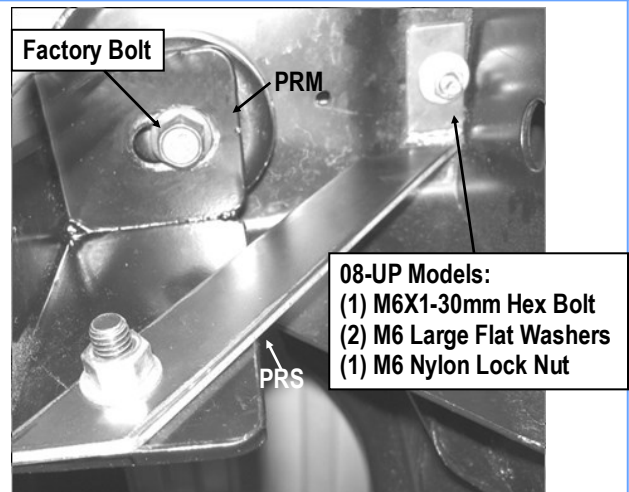
(1) M8X1.25-25mm Hex Bolt, (1) M8 Nylon Lock Nut, (2) M8 Flat Washers (**Fig 5**). Do not fully tighten hardware at this time.

08-UP Models:

(1) M6X1-30mm Hex Bolt, (1) M6 Nylon Lock Nut, (2) M6 Flat Washers (**Fig 6**). Do not fully tighten hardware at this time.



(Fig 5) Passenger Side Rear Brackets Installation (05-07 Models)



(Fig 6) Passenger Side Rear Brackets Installed (08-UP Models)

STEP 7

Once all (2) Passenger side mounting brackets are installed, then proceed to the Step Bar installation. (**Figs 7 & 8**)

- (1) Select (1) Slider and (2) M8X1.25-35mm Carriage Bolts;
- (2) Install (2) M8X1.25-35mm Carriage Bolts in (1) Slider.
- (3) Slide the Slider (with carriage bolts) to the **Step Bar**.
- (4) Repeat to install the other (1) slider to the step bar.
- (5) Attach the Step Bar (with the Sliders) onto the installed mounting brackets. Position the Sliders to the installed back-



ets. Secure the Step Bar to the installed Brackets by using (4) M8 Large Flat Washers and (4) M8 Nylon Lock Nuts and (2) Sliders, (**Fig 8**). Do not fully tighten hardware at this time.

Note: The Sliders are packed with the Mounting Brackets.

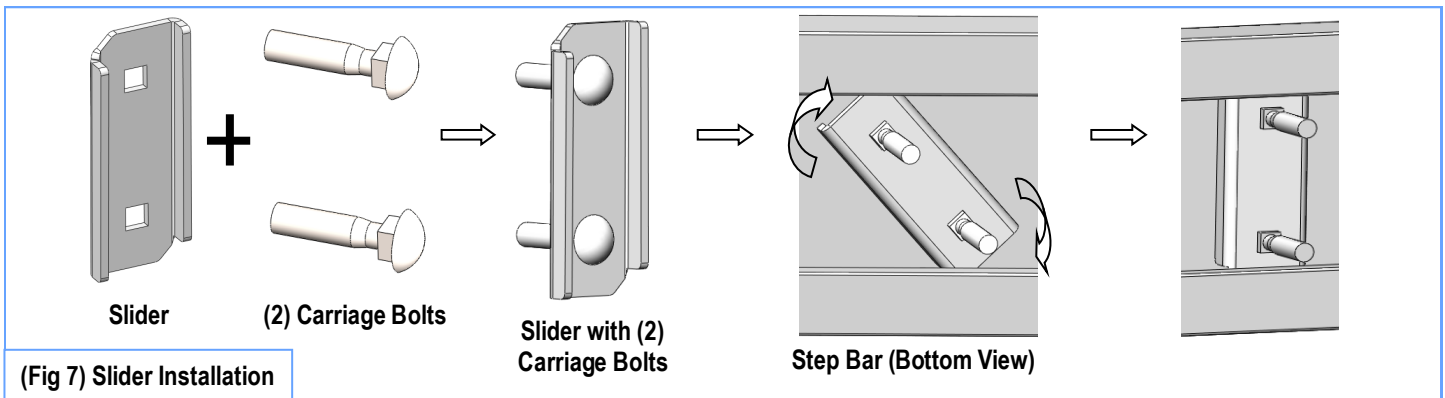
Level and adjust the Step Bar and fully tighten all hardware.

Repeat **Steps 1-7** for the other side Step Bar installation. **The installation is completed!!!**

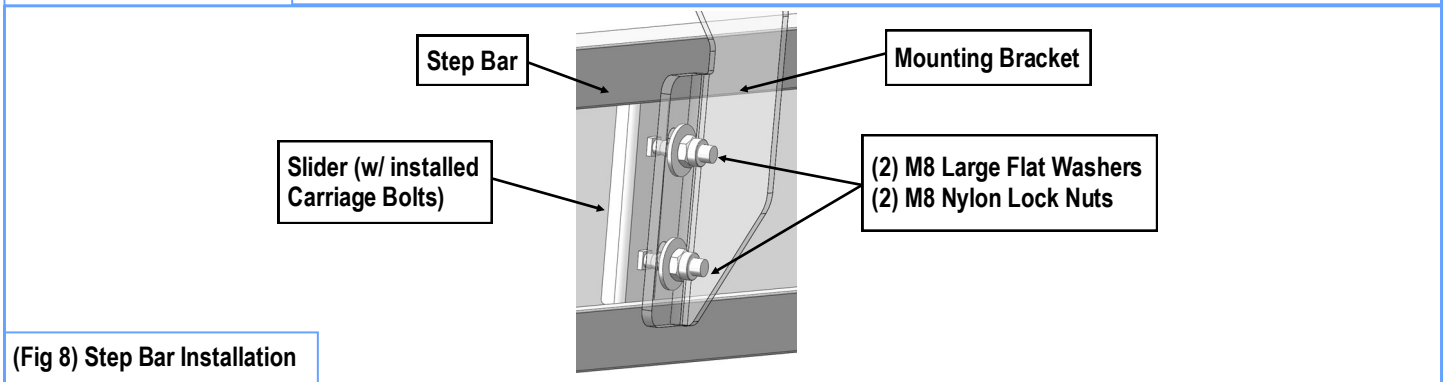
Attention

Do periodic inspections to the installation to make sure that all hardware is secure and tight.

In order to protect your bars/boards, please use mild soap/non-abrasive products for cleaning only.



(Fig 7) Slider Installation



(Fig 8) Step Bar Installation