



Scan for  
Installation Video

**PART#: IB-P048Y&H**

# iBoard® Series

READ INSTRUCTIONS CAREFULLY BEFORE STARTING INSTALLATION. REMOVE CONTENTS FROM BOX AND VERIFY ALL PARTS ARE PRESENT. ASSISTANCE IS RECOMMENDED.

\*ROCKER PANEL MOUNT  
\*DRILLING IS REQUIRED

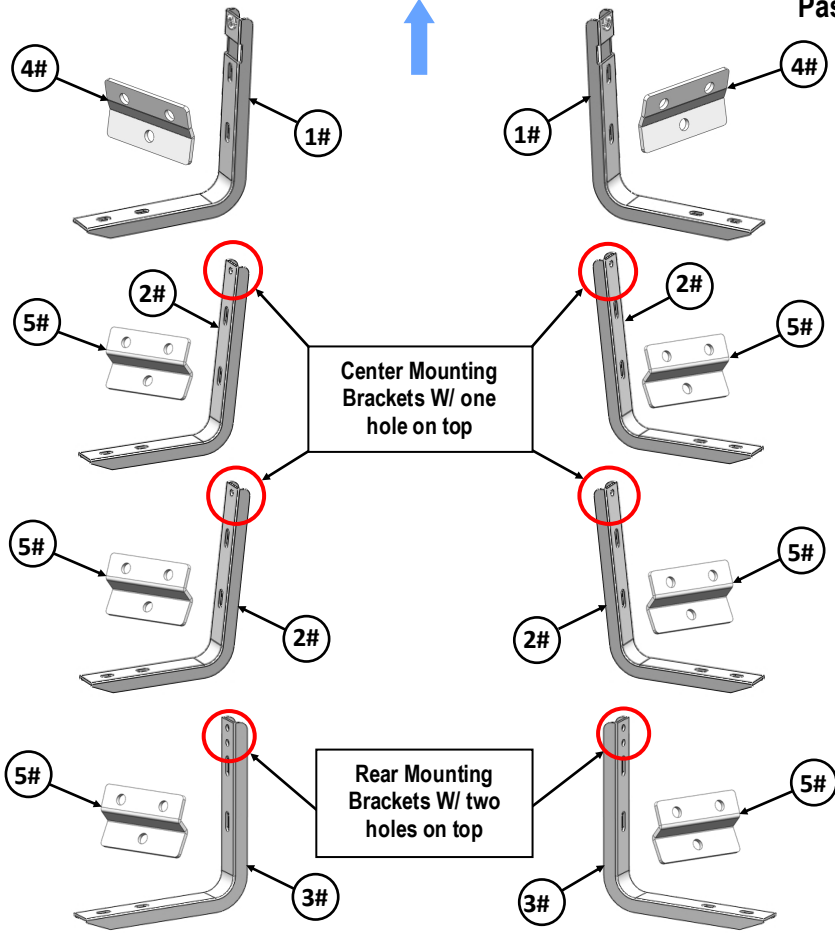
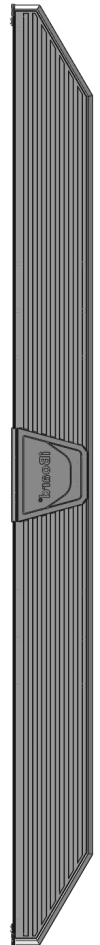
Fastener Size	Tightening Torque (ft-lbs)	Required
6mm	6-7	X
8mm	16-18	√
10mm	31-32	X
12mm	56-58	X
14mm	92-94	X

## PART LIST

Driver Side Step Bar

Front  
↑

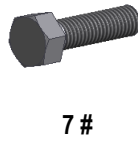
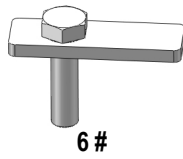
Passenger Side Step Bar



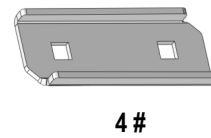
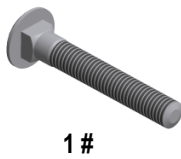
Customer Support: [info@iboardauto.com](mailto:info@iboardauto.com)



Hardware Package A (For Bracket Installation)					
Item	QTY	Description	Item	QTY	Description
1#	2	Driver/Passenger Front Mounting Brackets	6#	8	M8X30 Bolt Plates
2#	4	Driver/Passenger Center Mounting Brackets	7#	24	M8X1.25-20mm Hex Bolts
3#	2	Driver/Passenger Rear Mounting Brackets	8#	24	M8 Flat Washers
4#	2	Driver/Passenger Front Support Brackets	9#	32	M8 Hex Flange Nuts
5#	6	Driver/Passenger Center/Rear Support Brackets			



Hardware Package B (For Step Bar Installation)					
Item	QTY	Description	Item	QTY	Description
1#	16	M8X1.25-35mm Carriage Bolts	3#	16	M8 Nylon Lock Nuts
2#	16	M8 Large Flat Washers	4#	8	Sliders (Packed with Mounting Brackets)

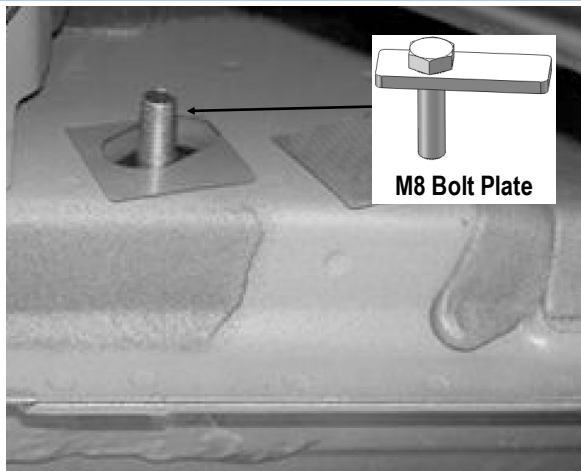




## STEP 1

Start installation from the driver side of the vehicle. Locate (8) mounting positions along the rocker panel.

Insert (4) M8 Bolt Plates into the oval holes (Use the 2<sup>nd</sup>, 4<sup>th</sup>, 6<sup>th</sup> and 8<sup>th</sup> holes), (Fig 1).



(Fig 1) Insert the M8 Bolt Plate  
(Use the 2nd, 4th, 6th, 8th holes)

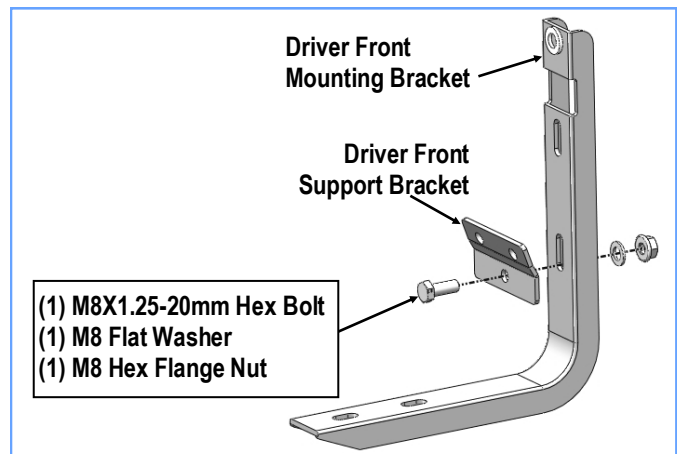
## STEP 2

Assemble Driver Front Mounting Bracket and the Driver Front Support Bracket with (1) M8X1.25-20mm Hex Bolt, (2) M8 Flat Washers and (1) M8 Hex Flange Nut. Don't fully tighten at this time, (Fig 2).

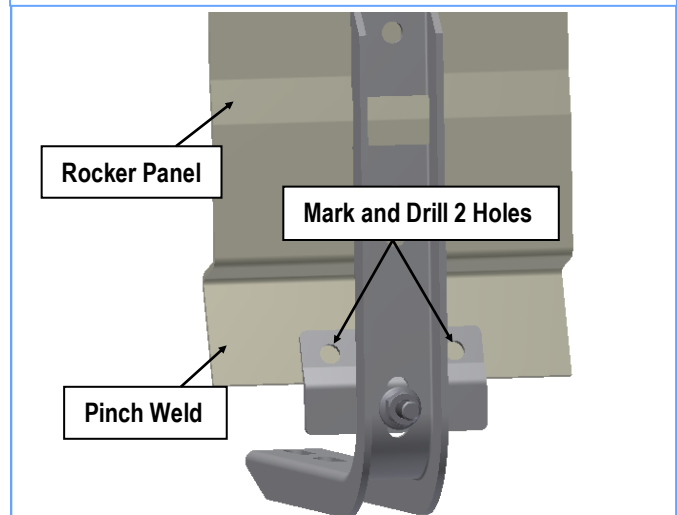
Attach the assembled Driver Front Mounting Bracket onto the rocker panel. According to the position of Driver Front Support Bracket, mark and drill 2 holes on the pinch weld, (Fig 3).

## STEP 3

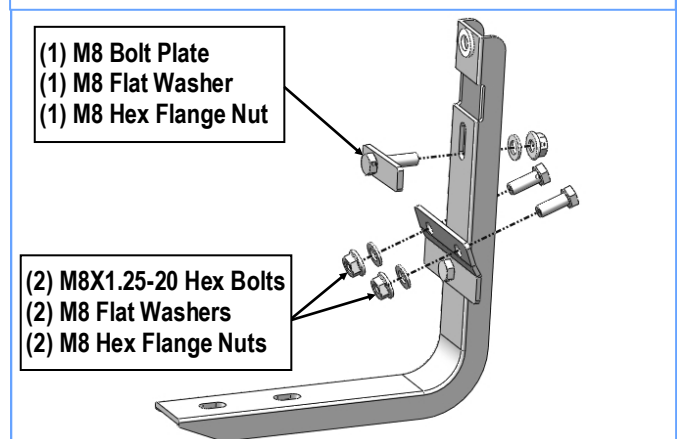
Install the assembled Driver Front Mounting Bracket on the rocker panel and pinch weld with (1) M8 Bolt Plate, (2) M8X1.25-20mm Hex Bolts, (3) M8 Flat Washers, (3) M8 Hex Flange Nuts, (Fig 4). Do not fully tighten at this time.



(Fig 2) Driver Front Mounting Bracket Assembly



(Fig 3) Mark And Drill 2 Holes on The Pinch Weld



(Fig 4) Driver Side Front Brackets Installation



## STEP 4

Move to the driver side 4th & 6th & 8th hole of the vehicle. Repeat Steps 1-3 for (2) Driver Center Mounting Brackets, (1) Driver Rear Mounting Bracket and (3) Support Brackets assembly and installation. Do not fully tighten at this time.

Note: (6) Support Brackets are universal.

(5) Attach the Step Bar (with the Sliders) onto the installed mounting brackets. Position the Sliders to the installed brackets. Secure the Step Bar to the installed Brackets by using (8) M8 Large Flat Washers and (8) M8 Nylon Lock Nuts and (4) Sliders, (Fig 6). Do not fully tighten hardware at this time.

**Note:** The Sliders are packed with the Mounting Brackets.

Level and adjust the Step Bar and fully tighten all hardware.

Repeat **Steps 1-5** for the other side Step Bar installation. **The installation is completed!!!**

## STEP 5

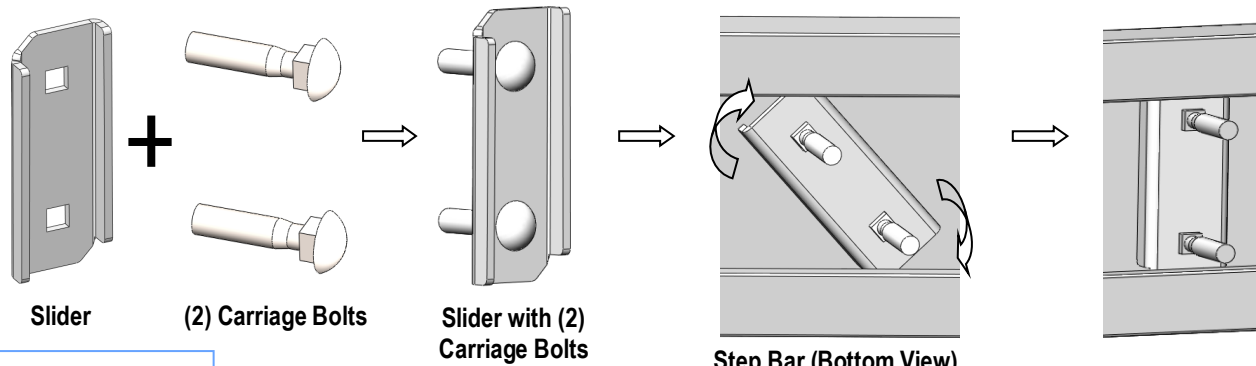
Once all (4) Driver side mounting brackets are installed, then proceed to the Step Bar installation. (Figs 5 & 6)

- (1) Select (1) Slider and (2) M8X1.25-35mm Carriage Bolts;
- (2) Install (2) M8X1.25-35mm Carriage Bolts in (1) Slider.
- (3) Slide the Slider (with carriage bolts) to the **Step Bar**.
- (4) Repeat to install the other (3) sliders to the step bar.

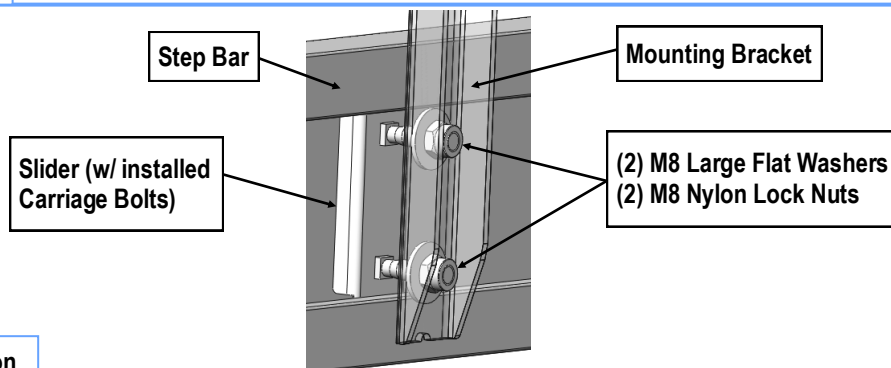
### Attention

**Do periodic inspections to the installation to make sure that all hardware is secure and tight.**

**In order to protect your bars/boards, please use mild soap/non-abrasive products for cleaning only.**



(Fig 5) Slider Installation



(Fig 6) Step Bar Installation