



iBoard® by APS

PART#: IB-P913Y&H

READ INSTRUCTIONS CAREFULLY BEFORE STARTING INSTALLATION. REMOVE CONTENTS FROM BOX AND VERIFY ALL PARTS ARE PRESENT. ASSISTANCE IS RECOMMENDED.

*ROCKER PANEL MOUNT
*DRILLING IS REQUIRED

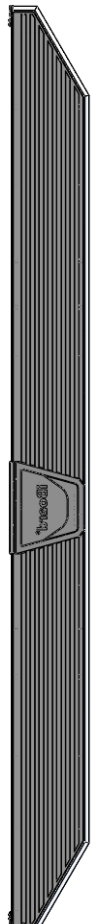
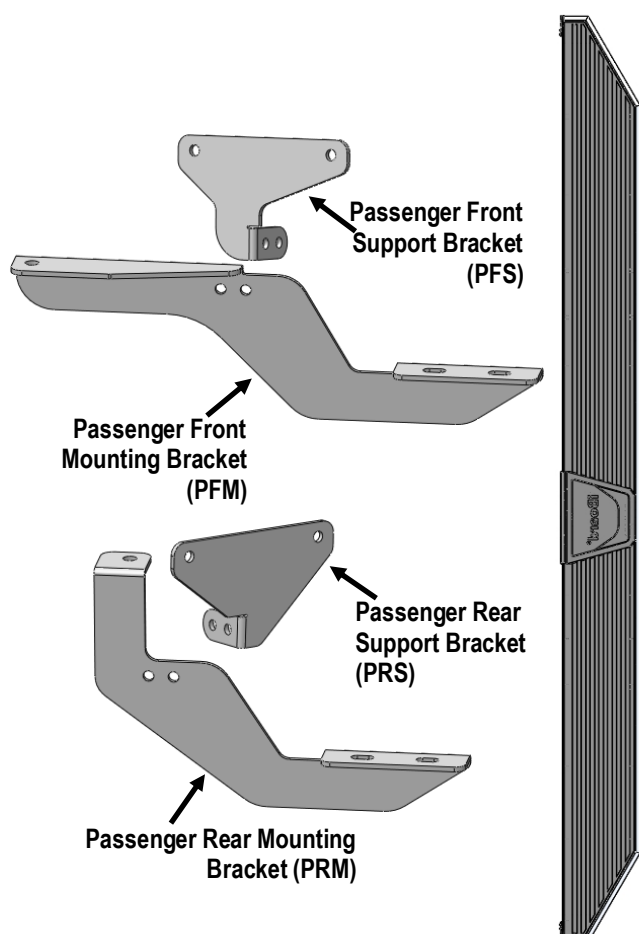
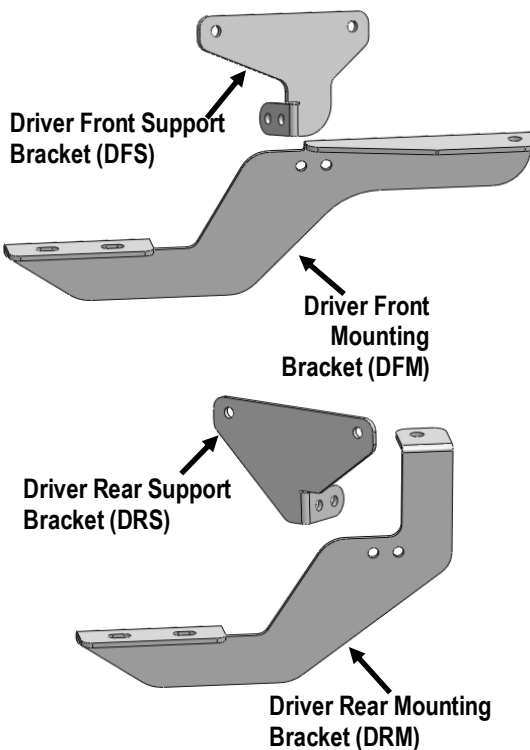
Fastener Size	Tightening Torque (ft-lbs)	Required
6mm	6-7	X
8mm	16-18	√
10mm	31-32	√
12mm	56-58	X
14mm	92-94	X

PART LIST

Driver Side Step Bar

Front
↑

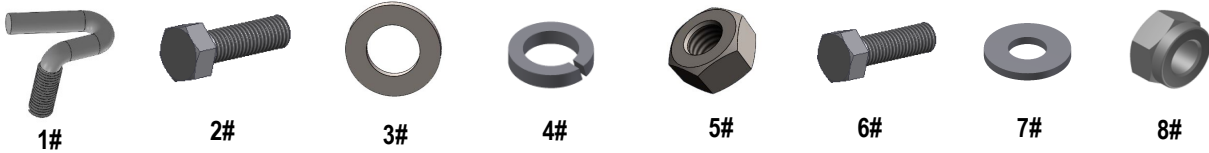
Passenger Side Step Bar





Hardware Package A (For Bracket Installation)

Item	QTY	Description	Item	QTY	Description
1#	2	M10X1.5 J-Bolts	5#	2	M10 Hex Nuts
2#	2	M10X1.5-35mm Hex Bolts	6#	16	M8X1.25-20mm Hex Bolts
3#	4	M10 Large Flat Washers	7#	32	M8 Flat Washers
4#	4	M10 Lock Washers	8#	16	M8 Nylon Lock Nuts



Hardware Package B (For Step Bar Installation)

Item	QTY	Description	Item	QTY	Description
1#	8	M8X1.25-35mm Carriage Bolts	3#	8	M8 Nylon Lock Nuts
2#	8	M8 Large Flat Washers	4#	4	Sliders (Packed with Mounting Brackets)

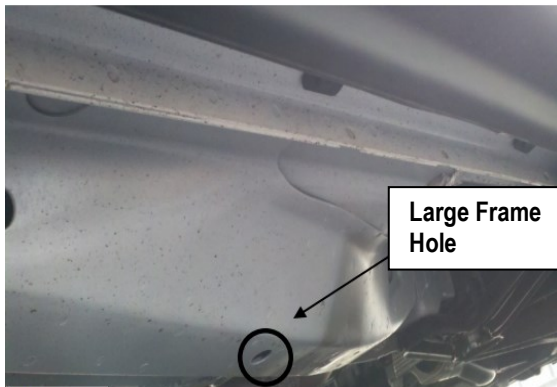




STEP 1

Starting from the driver front side of the vehicle. Install M10X1.5 J-Bolt in the large hole in the frame, (Figs 1-2).

Note: Dodge Durango requires pinch weld holes used for installation to be drilled out to 3/8" and one additional hole to be drilled through the pinch weld in the rear of the vehicle, (Figs 4-7).



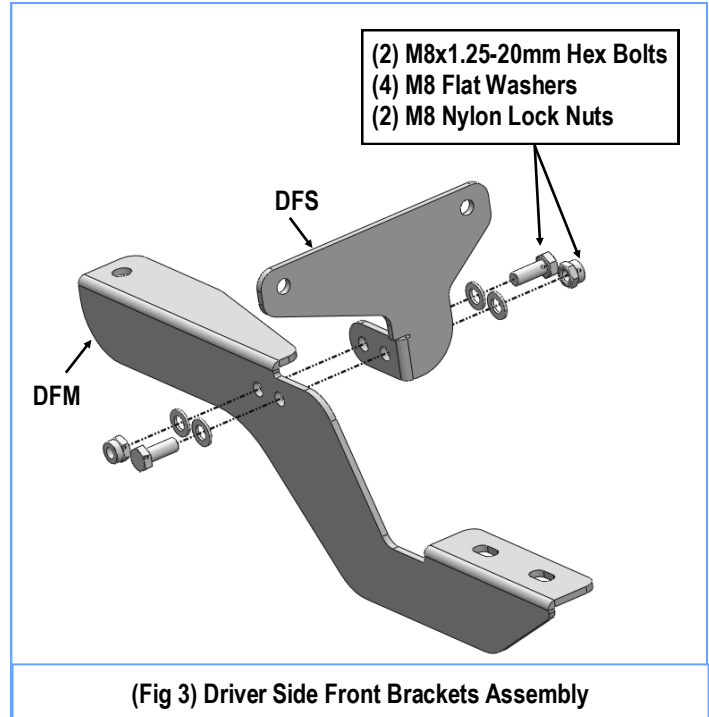
(Fig 1) Driver Side Front Mounting Location



(Fig 2) Insert The M10X1.5 J-Bolt

STEP 2

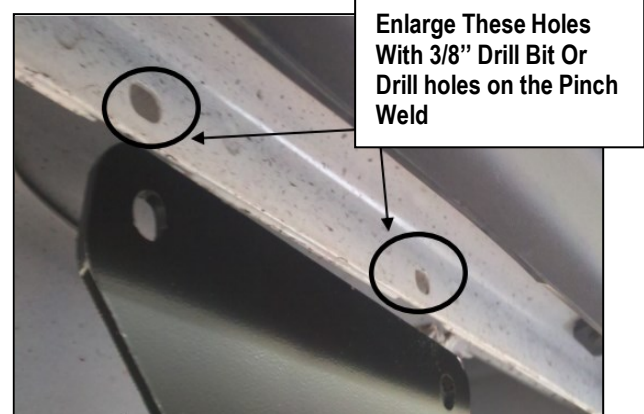
Assemble Driver Front Mounting Bracket (DFM) and Driver Front Support Bracket (DFS) with (2) M8X1.25-20mm Hex Bolts, (4) M8 Flat Washers and (2) M8 Nylon Lock Nuts, (Fig 3). Do not fully tighten hardware at this time.



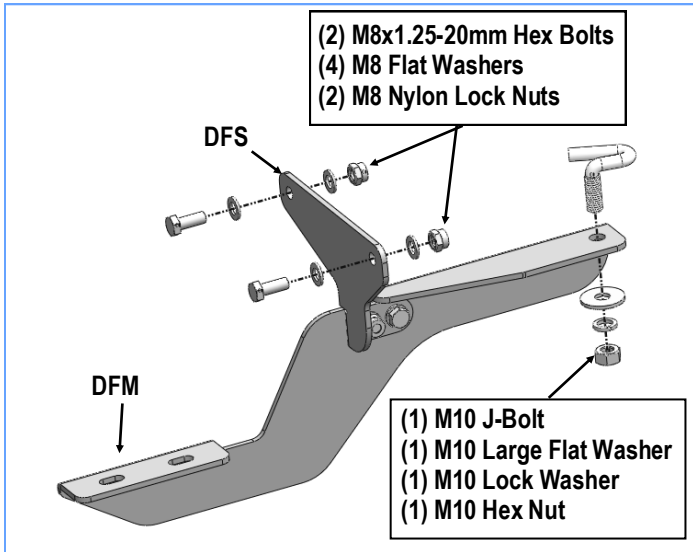
(Fig 3) Driver Side Front Brackets Assembly

STEP 3

Install the Driver Front Mounting Bracket to installed M10 J-Bolt using (1) M10 Large Flat Washer, (1) M10 Lock Washer and (1) M10 Hex Nut. Secure the Front Support Bracket to the outside of the pinch weld using (2) M8X1.25-20mm Hex Bolts, (4) M8 Flat Washers and (2) M8 Nylon Lock Nuts, (Figs 4-5). Do not fully tighten hardware at this time.



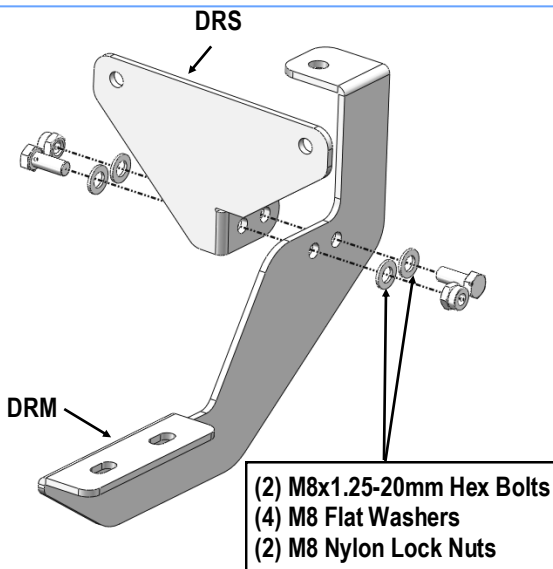
(Fig 4) Driver Side Front Mounting Location on Pinch Weld



(Fig 5) Driver Side Front Brackets Installation

STEP 4

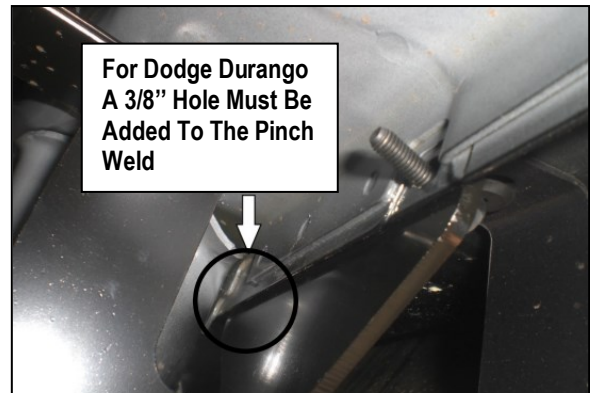
Move to the driver rear side of the vehicle. Assemble Driver Rear Mounting Bracket (**DRM**) and Driver Rear Support Bracket (**DRS**) with (2) M8X1.25-20mm Hex Bolts, (4) M8 Flat Washers and (2) M8 Nylon Lock Nuts, (**Fig 6**). Do not fully tighten hardware at this time.



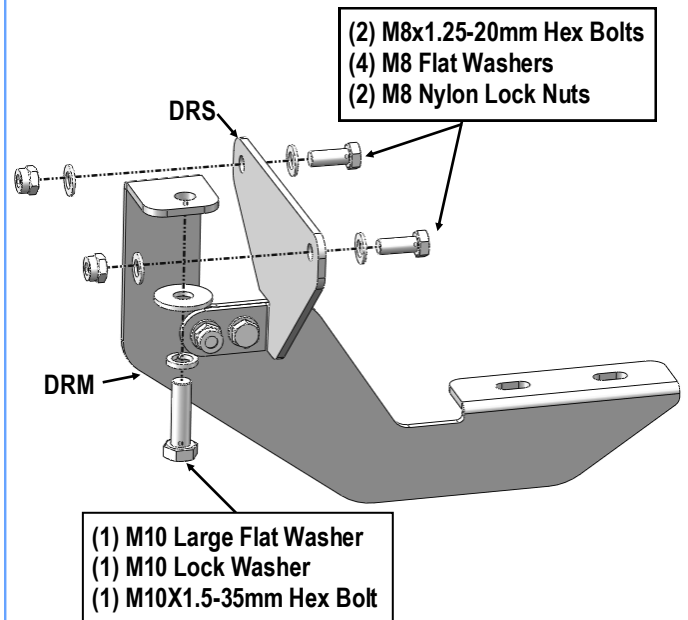
(Fig 6) Driver Side Rear Brackets Assembly

STEP 5

Install Driver Rear Mounting Bracket with (1) M10X1.5-35mm Hex Bolt, (1) M10 Lock Washer and (1) M10 Large Flat Washer. Secure the Rear Support Bracket to the outside of the pinch weld using (2) M8X1.25-20mm Hex Bolts, (4) M8 Flat Washers and (2) M8 Nylon Lock Nuts, (**Fig 8**). Do not fully tighten hardware at this time.



(Fig 7) Add A Hole on The Pinch Weld (For Dodge Durango)



(Fig 8) Driver Side Rear Brackets Installation



STEP 6

Once all (2) Driver side mounting brackets are installed, then proceed to the Step Bar installation. (Figs 9 & 10)

- (1) Select (1) Slider and (2) M8X1.25-35mm Carriage Bolts;
- (2) Install (2) M8X1.25-35mm Carriage Bolts in (1) Slider.
- (3) Slide the Slider (with carriage bolts) to the **Step Bar**.
- (4) Repeat to install the other (1) slider to the step bar.
- (5) Attach the Step Bar (with the Sliders) onto the installed mounting brackets. Position the Sliders to the installed brackets. Secure the Step Bar to the installed Brackets by using (4) M8 Large Flat Washers and (4) M8 Nylon Lock Nuts and (2) Sliders, (Fig 10). Do not fully tighten hardware at this time.

Note: The Sliders are packed with the Mounting Brackets.

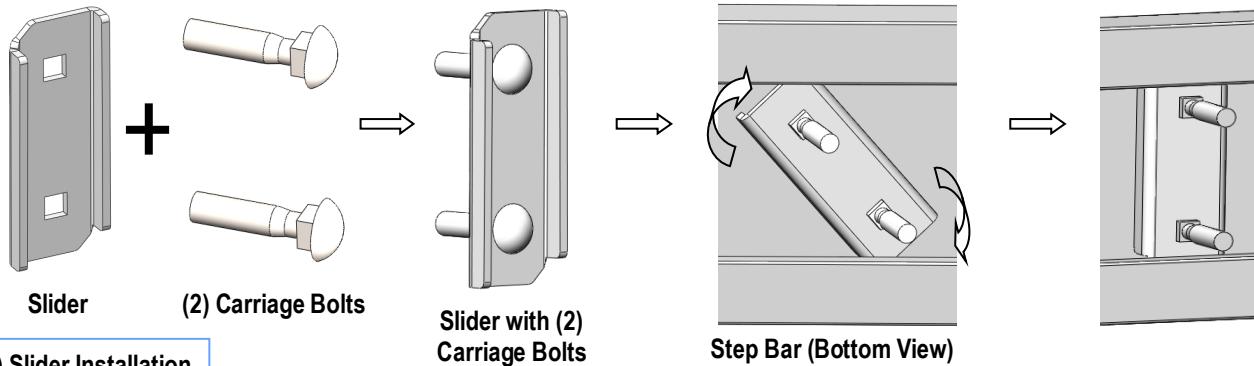
Level and adjust the Step Bar and fully tighten all hardware.

Repeat **Steps 1-6** for the other side Step Bar installation. **The installation is completed!!!**

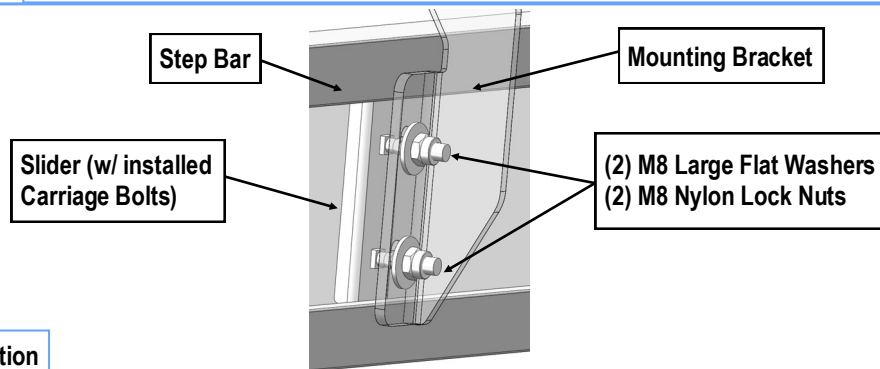
Attention

Do periodic inspections to the installation to make sure that all hardware is secure and tight.

In order to protect your bars/boards, please use mild soap/non-abrasive products for cleaning only.



(Fig 9) Slider Installation



(Fig 10) Step Bar Installation