

iBoard®



Scan for
Installation Video

iBoard® by APS

PART#: IB-P911Y&H

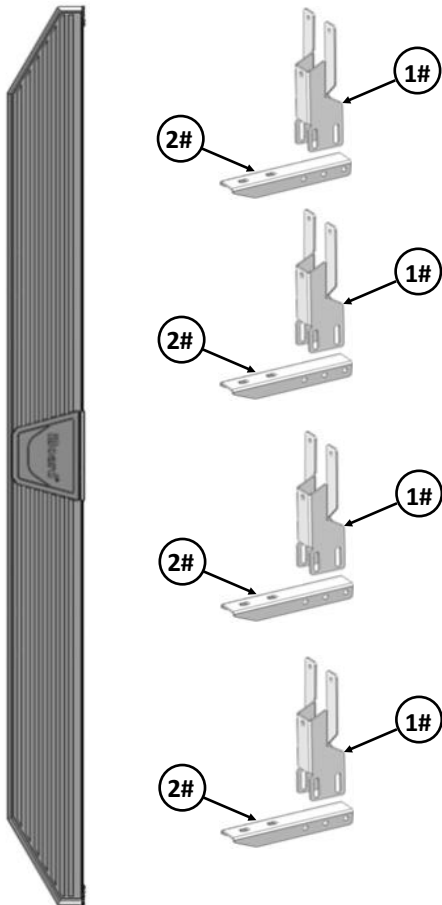
READ INSTRUCTIONS CAREFULLY BEFORE STARTING INSTALLATION. REMOVE CONTENTS FROM BOX AND VERIFY ALL PARTS ARE PRESENT. ASSISTANCE IS RECOMMENDED.

*ROCKER PANEL MOUNT
*DRILLING IS REQUIRED

Fastener Size	Tightening Torque (ft-lbs)	Required
6mm	6-7	√
8mm	16-18	√
10mm	31-32	X
12mm	56-58	X
14mm	92-94	X

PART LIST

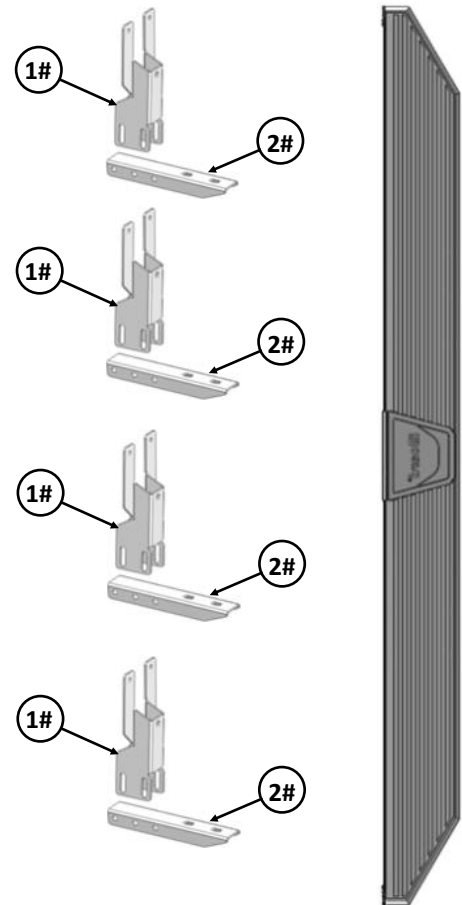
Driver Side Step Bar



Front









Passenger Side Step Bar







Customer Support: info@iboardauto.com



Hardware Package A (For Bracket Installation)					
Item	QTY	Description	Item	QTY	Description
1#	8	Mounting Brackets	5#	16	M8 Flat Washers
2#	8	Bar Brackets	6#	32	M8 Large Flat Washers
3#	40	M8X1.25-20mm Hex Bolts	7#	32	M8X1.25 Hex Flange Nuts
4#	16	ST6.3-22 Hex Self Tapping Screws	8#	8	M8X1.25 Nylon Lock Nuts

					
3#	4#	5#	6#	7#	8#

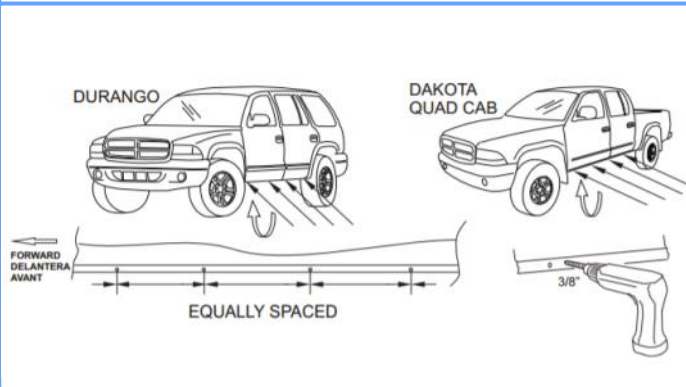
Hardware Package B (For Step Bar Installation)					
Item	QTY	Description	Item	QTY	Description
1#	16	M8X1.25-35mm Carriage Bolts	3#	16	M8 Nylon Lock Nuts
2#	16	M8 Large Flat Washers	4#	8	Sliders (Packed with Mounting Brackets)

			
1 #	2 #	3 #	4 #



STEP 1

Start the installation under the driver side of the vehicle. Drill (4) M8 holes in pinch weld as shown, (Fig 1).

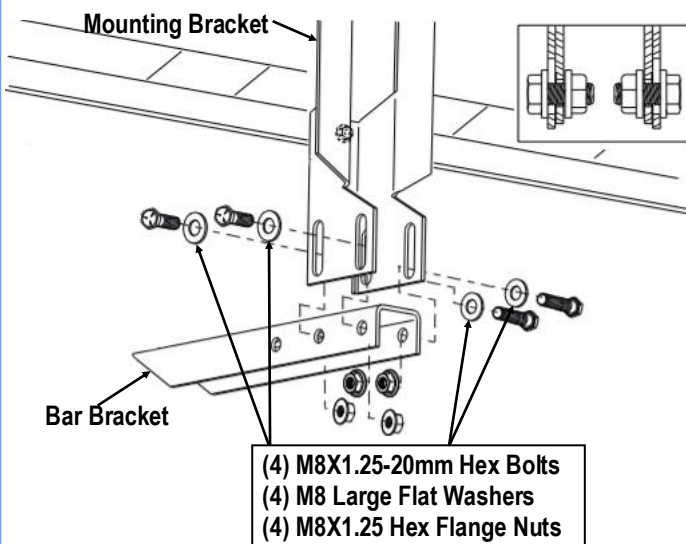


(Fig 1) Driver Side Mounting Locations

STEP 2

Assemble Mounting Bracket and Bar Bracket with (4) M8X1.25-20mm Hex Bolts, (4) M8 Large Flat Washers and (4) M8X1.25 Hex Flange Nuts, (Figs 2 & 4). Do not fully tighten hardware at this time.

Note: All Mounting Brackets are universal. All Bar Brackets are universal.



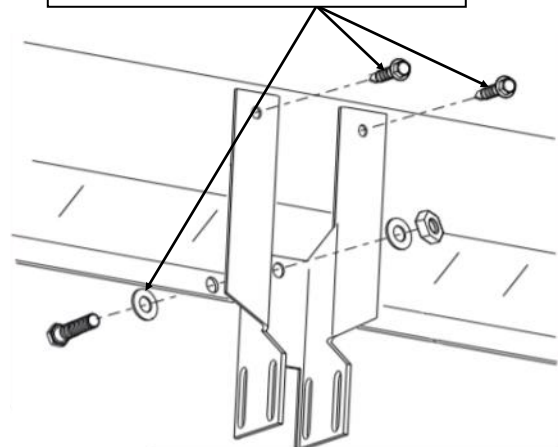
(Fig 2) Driver Side Brackets Assembly

STEP 3

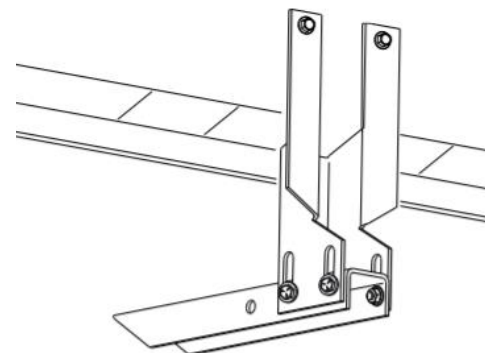
Attach the assembled Brackets to the 5/8" drilled holes on pinch with (1) M8X1.25-20mm Hex Bolt, (2) M8 Flat Washers and (1) M8X1.25 Nylon Lock Nut, (Figs 3 & 4).

Mark and drill (2) 5mm holes on body panel for each Mounting Bracket. And then, secure the Mounting Brackets to the body panel with (2) ST6.3-22 Hex Self Tapping Screws for each bracket.

- (2) ST6.3-22 Hex Self Tapping Screws
- (1) M8X1.25-20mm Hex Bolt
- (2) M8 Flat Washers
- (1) M8X1.25 Nylon Lock Nut



(Fig 3) Driver Side Mounting Bracket Installation



(Fig 4) Driver Side Mounting Bracket Installation



STEP 4

Once all (4) Driver side mounting brackets are installed, then proceed to the Step Bar installation. (Figs 5 & 6)

- (1) Select (1) Slider and (2) M8X1.25-35mm Carriage Bolts;
- (2) Install (2) M8X1.25-35mm Carriage Bolts in (1) Slider.
- (3) Slide the Slider (with carriage bolts) to the **Step Bar**.
- (4) Repeat to install the other (3) sliders to the step bar.
- (5) Attach the Step Bar (with the Sliders) onto the installed mounting brackets. Position the Sliders to the installed brackets. Secure the Step Bar to the installed Brackets by using (8) M8 Large Flat Washers and (8) M8 Nylon Lock Nuts and (4) Sliders, (Fig 6). Do not fully tighten hardware at this time.

Note: The Sliders are packed with the Mounting Brackets.

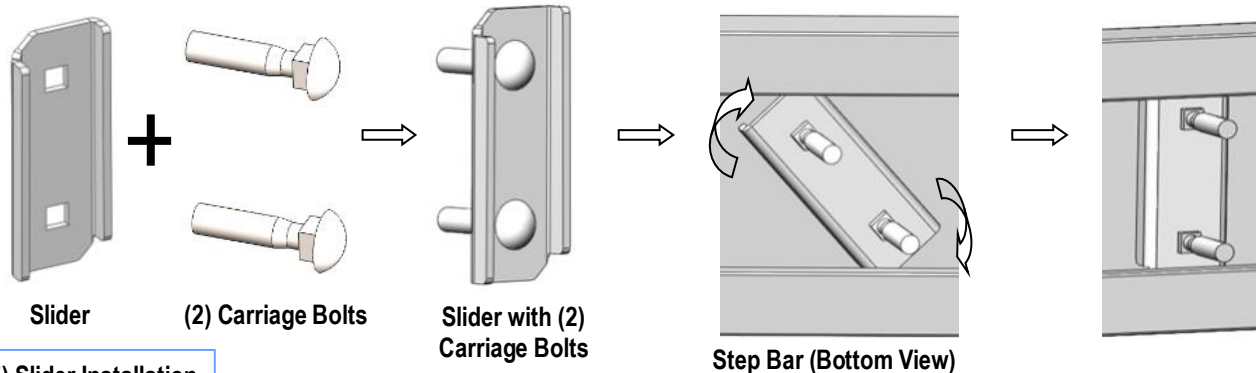
Level and adjust the Step Bar and fully tighten all hardware.

Repeat **Steps 1-4** for the other side Step Bar installation. **The installation is completed!!!**

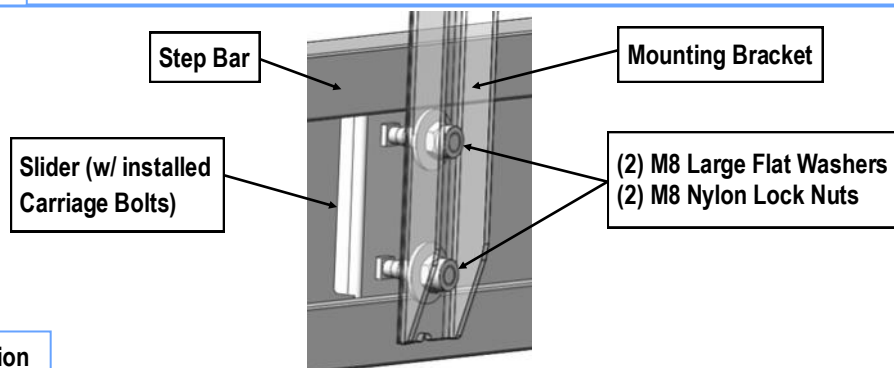
Attention

Do periodic inspections to the installation to make sure that all hardware is secure and tight.

In order to protect your bars/boards, please use mild soap/non-abrasive products for cleaning only.



(Fig 5) Slider Installation



(Fig 6) Step Bar Installation