

# iBoard®



Scan for  
Installation Video

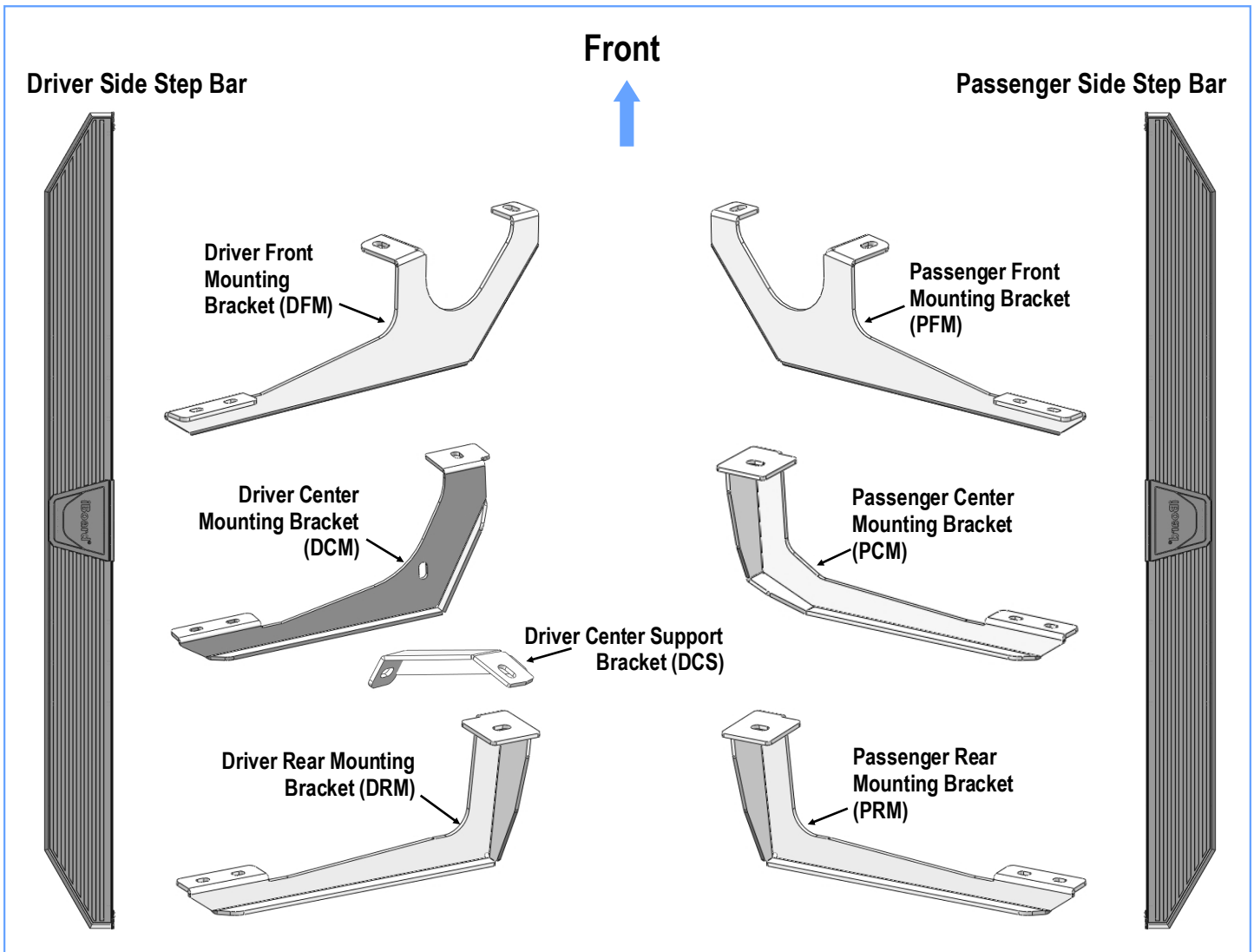
## iBoard® by APS

PART#: IB-P361Y&H

READ INSTRUCTIONS CAREFULLY BEFORE STARTING INSTALLATION. REMOVE CONTENTS FROM BOX AND VERIFY ALL PARTS ARE PRESENT. ASSISTANCE IS RECOMMENDED.

\*ROCKER PANEL MOUNT  
\*NO DRILLING REQUIRED

Fastener Size	Tightening Torque (ft-lbs)	Required
6mm	6-7	X
8mm	16-18	√
10mm	31-32	√
12mm	56-58	X
14mm	92-94	X



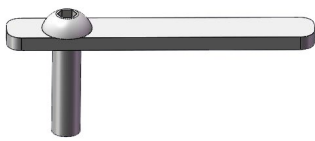
Customer Support: [info@iboardauto.com](mailto:info@iboardauto.com)



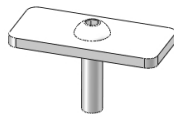
Scan for  
Installation Video

### Hardware Package A (For Bracket Installation)

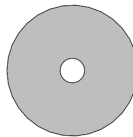
Item	QTY	Description	Item	QTY	Description
1#	5	M10 L Bolt Plates	5#	9	M10 Flat Washers
2#	2	M10 T Bolt Plates	6#	8	M10 Lock Washers
3#	7	M10 Plastic Washers	7#	8	M10 Hex Nuts
4#	1	M10X1.5-30mm Hex Bolt			



1 #



2 #



3 #



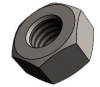
4 #



5 #



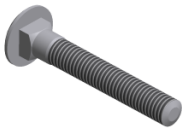
6 #



7 #

### Hardware Package B (For Step Bar Installation)

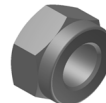
Item	QTY	Description	Item	QTY	Description
1#	12	M8X1.25-35mm Carriage Bolts	3#	12	M8 Nylon Lock Nuts
2#	12	M8 Large Flat Washers	4#	6	Sliders (Packed with Mounting Brackets)



1 #



2 #



3 #



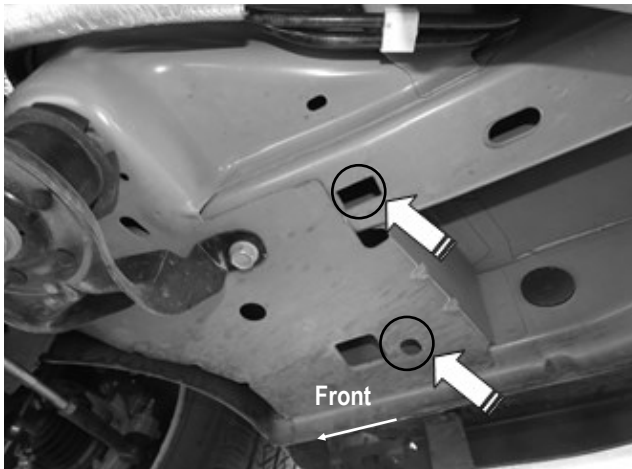
4 #



## STEP 1

Start installation from the passenger side front of the vehicle. Locate the factory holes at the bottom of the floor panel, (**Fig 1**). **NOTE:** The mounting locations may be covered by sealant or undercoating. Use a small screwdriver to poke through the sealant to uncover the hole.

**IMPORTANT:** Brackets must sit flat against sheet metal. Scrape any excess sealant from body panel before installing any Bracket.

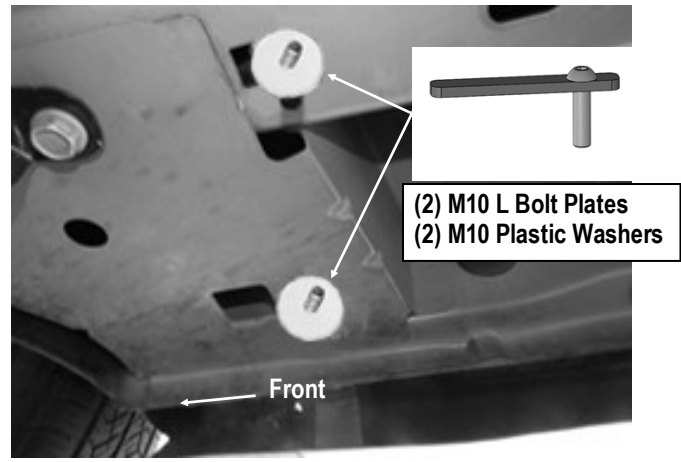


(Fig 1) Passenger Side Front Mounting Location

## STEP 2

Select (2) M10 L Bolt Plates and (2) M10 Plastic Washers. Partially thread the Plastic Washers onto the M10 L Bolt Plates. Insert the M10 L Bolt Plates with Plastic Washers into the front mounting holes, (**Fig 2**). Thread the Plastic Washer down until it is tight against the floor panel. The Plastic Washer is designed to hold the M10 L Bolt Plate in place during Bracket installation.

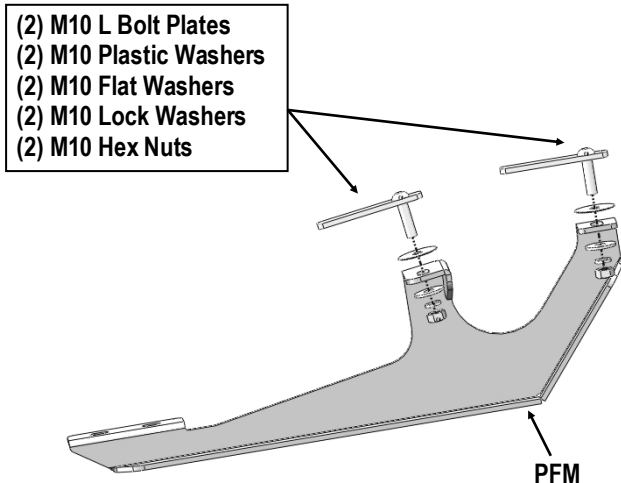
**NOTE:** Hold the Passenger Front Mounting Bracket up to the passenger side front mounting location to help to determine the correct mounting holes.



(Fig 2) M10 L Bolt Plates Installed In The Front Mounting Holes  
(Secure With M10 Plastic Washers)

## STEP 3

Attach the Passenger Front Mounting Bracket (**PFM**) to the installed (2) M10 L Bolt Plates with (2) M10 Flat Washers, (2) M10 Lock Washers and (2) M10 Hex Nuts, (**Fig 3**). Do not fully tighten hardware at this time.



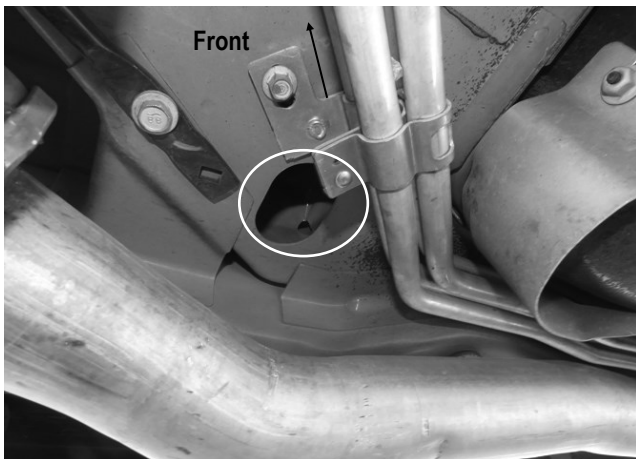
(Fig 3) Passenger Front Mounting Bracket Installation



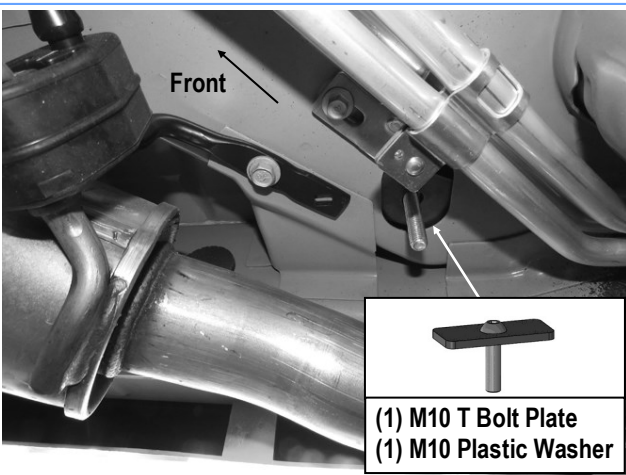
## STEP 4

Move to the passenger side center mounting location, (Fig 4). Locate the large slot above the passenger side exhaust pipe, (Fig 4).

Next, select (1) M10 T Bolt Plate and (1) M10 Plastic Washer. Partially thread the Plastic Washer onto the M10 T Bolt Plate. Insert the M10 T Bolt Plate with Plastic Washer into the front mounting hole, (Fig 5). Thread the Plastic Washer down until it is tight against the floor panel. The Plastic Washer is designed to hold the M10 T Bolt Plate in place during Bracket installation.



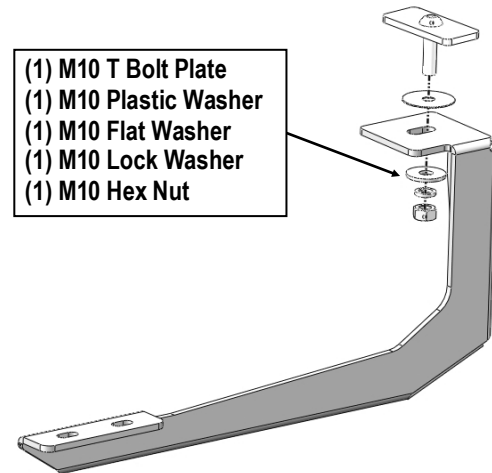
(Fig 4) Passenger Side Center Mounting Location



(Fig 5) M10 T Bolt Plate Installed  
(on the Passenger Side Center Mounting Location)

## STEP 5

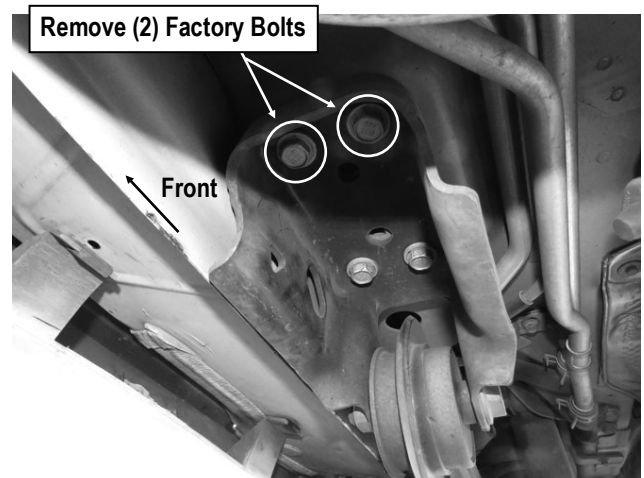
Attach Passenger Center Mounting Bracket (PCM) to the installed M10 T Bolt Plate with (1) M10 Flat Washer, (1) M10 Lock Washer and (1) M10 Hex Nut, (Fig 6). Do not fully tighten hardware at this time.



(Fig 6) Passenger Center Mounting Bracket Installation

## STEP 6

Move to the passenger side rear mounting location, (Fig 7). Remove the (2) factory hex bolts (Fig 7).

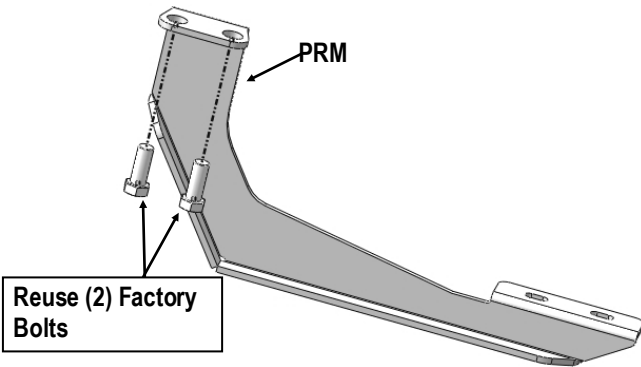


(Fig 7) Passenger Side Rear Mounting Location



## STEP 7

Reuse the (2) factory hex bolts to attach the Passenger Rear Mounting Bracket (**PRM**) to the rear mounting location, (**Fig 8**). Do not fully tighten hardware at this time.



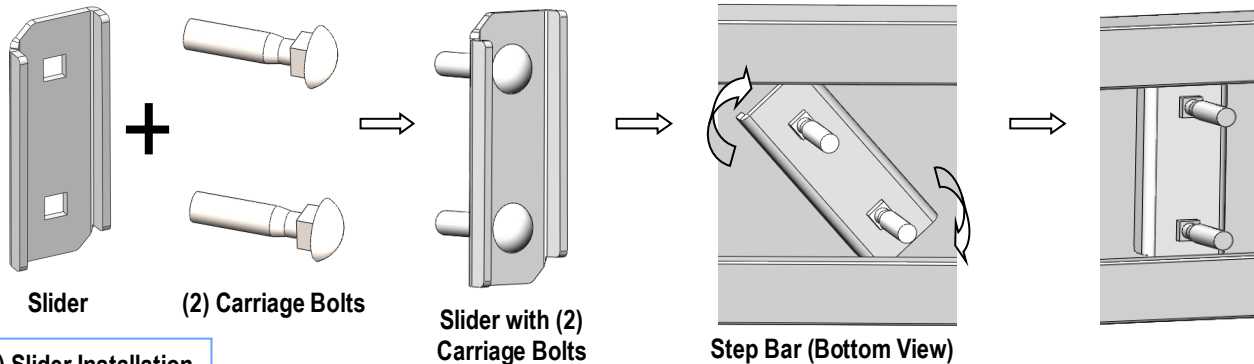
(Fig 8) Passenger Rear Mounting Bracket Installation

## STEP 8

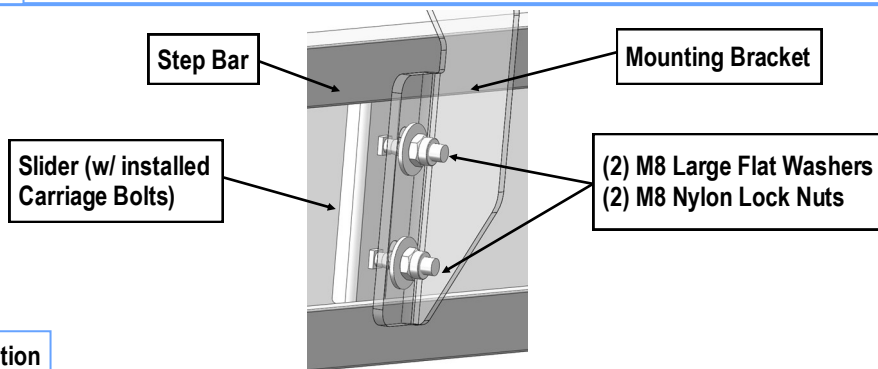
Once all (3) Passenger side mounting brackets are installed, then proceed to the Step Bar installation. (**Figs 9 & 10**)

- (1) Select (1) Slider and (2) M8X1.25-35mm Carriage Bolts;
- (2) Install (2) M8X1.25-35mm Carriage Bolts in (1) Slider.
- (3) Slide the Slider (with carriage bolts) to the **Step Bar**.
- (4) Repeat to install the other (2) sliders to the step bar.
- (5) Attach the Step Bar (with the Sliders) onto the installed mounting brackets. Position the Sliders to the installed brackets. Secure the Step Bar to the installed Brackets by using (6) M8 Large Flat Washers and (6) M8 Nylon Lock Nuts and (3) Sliders, (**Fig 10**). Do not fully tighten hardware at this time.

**Note:** The Sliders are packed with the Mounting Brackets. Level and adjust the Step Bar and fully tighten all hardware.



(Fig 9) Slider Installation



(Fig 10) Step Bar Installation



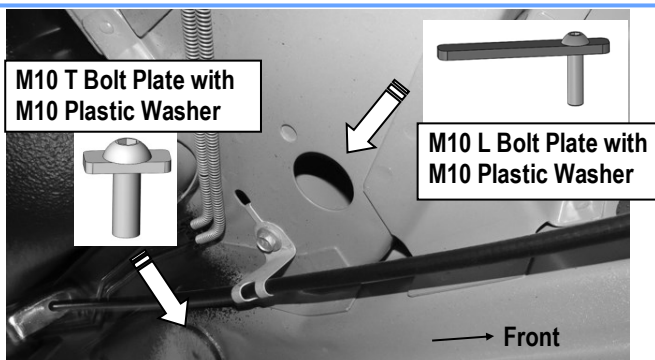


## STEP 9

Move to Driver side of the vehicle. Start installation from the driver side front of the vehicle. Repeat **Steps 1-4** for Driver Front Mounting Bracket installation.

## STEP 10

Move to the Driver Center Mounting Location, (**Fig 11**). Locate the large hole and remove the plastic plug covering the hole on the frame channel, (**Fig 11**). And then, Insert the remaining (1) M10 L Bolt Plate with (1) M10 Plastic Washer and (1) M10 T Bolt Plate with (1) Plastic Washer into the holes, (**Fig 11**).



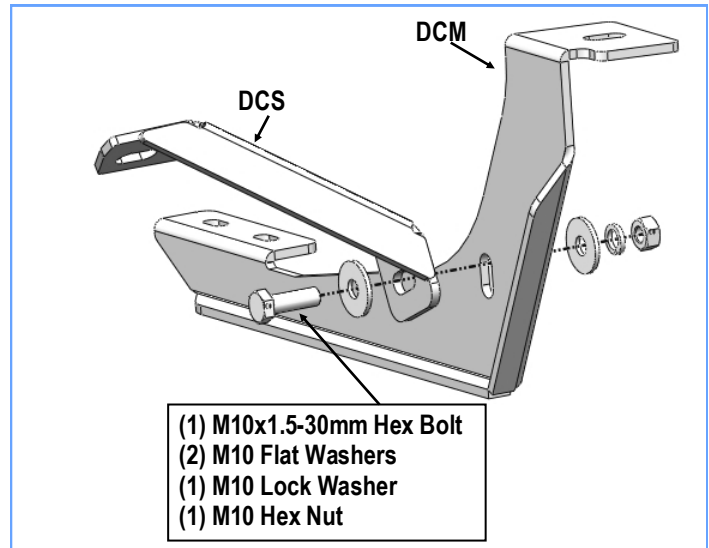
(Fig 11) Driver Side Center Mounting Location

## STEP 11

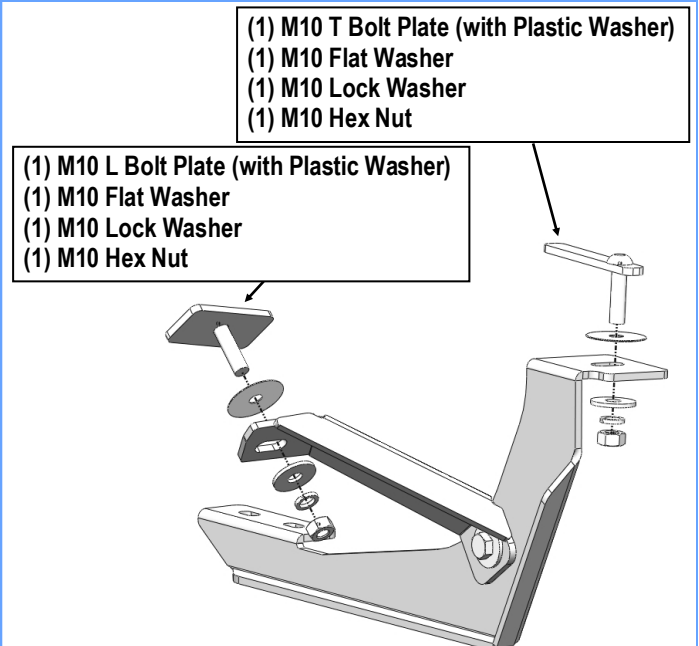
Assemble Driver Center Mounting Bracket (**DCM**) and Driver Center Support Bracket (**DCS**) with (1) M10X1.5-30mm Hex Bolt, (2) M10 Flat Washers, (1) M10 Lock Washer and (1) M10 Hex Nut, (**Fig 12**). Do not fully tighten hardware at this time.

## STEP 12

Next, repeat **Step 5** to install the assembled Driver Center Mounting Bracket to the installed M10 L Bolt Plate, (**Fig 13**). Attach the Driver Center Support Bracket to the installed M10 T Bolt Plate with (1) M10 Flat Washer, (1) M10 Lock Washer and (1) M10 Hex Nut, (**Fig 13**). Do not fully tighten hardware at this time.



(Fig 12) Driver Side Center Brackets Assembly



(Fig 13) Driver Side Center Brackets Installation

## STEP 13

Repeat **Steps 6-7** for Driver Rear Mounting Bracket (**DRM**) installation.



## STEP 14

Repeat **Step 8** for the other side Step Bar installation. **The installation is completed!!!**

### Attention

**Do periodic inspections to the installation to make sure that all hardware is secure and tight.**

**In order to protect your bars/boards, please use mild soap/non-abrasive products for cleaning only.**