

iBoard®



Scan for
Installation Video

iBoard® by APS

PART#: IB-P206Y&H

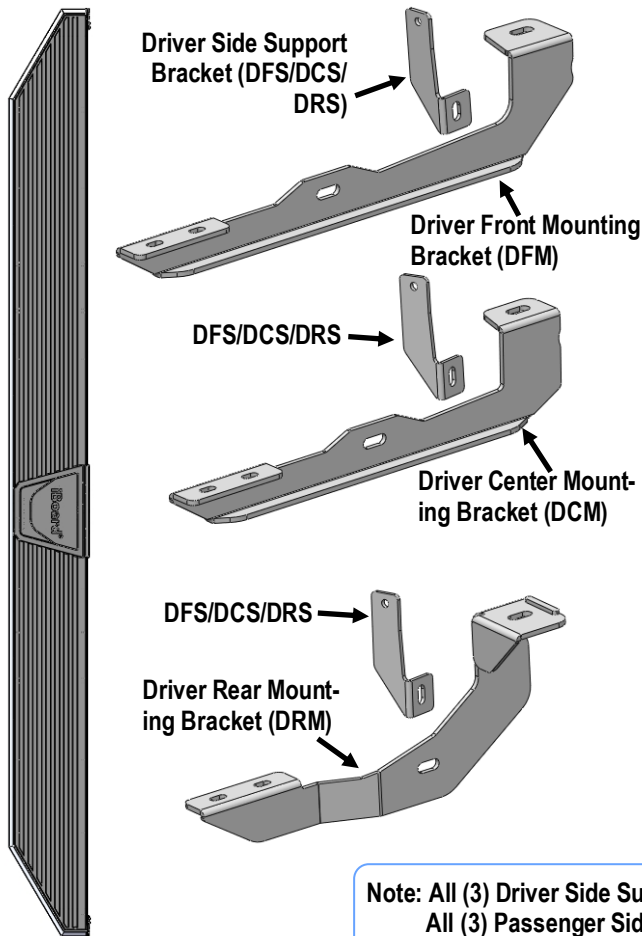
READ INSTRUCTIONS CAREFULLY BEFORE STARTING INSTALLATION. REMOVE CONTENTS FROM BOX AND VERIFY ALL PARTS ARE PRESENT. ASSISTANCE IS RECOMMENDED.

*ROCKER PANEL MOUNT
*DRILLING IS REQUIRED

Fastener Size	Tightening Torque (ft-lbs)	Required
6mm	6-7	√
8mm	16-18	√
10mm	31-32	√
12mm	56-58	X
14mm	92-94	X

PART LIST

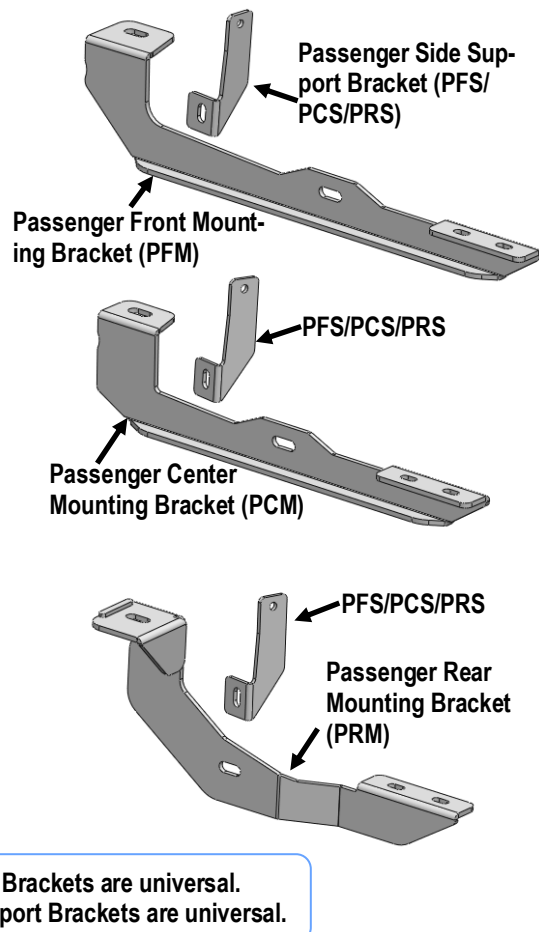
Driver Side Step Bar



Front



Passenger Side Step Bar

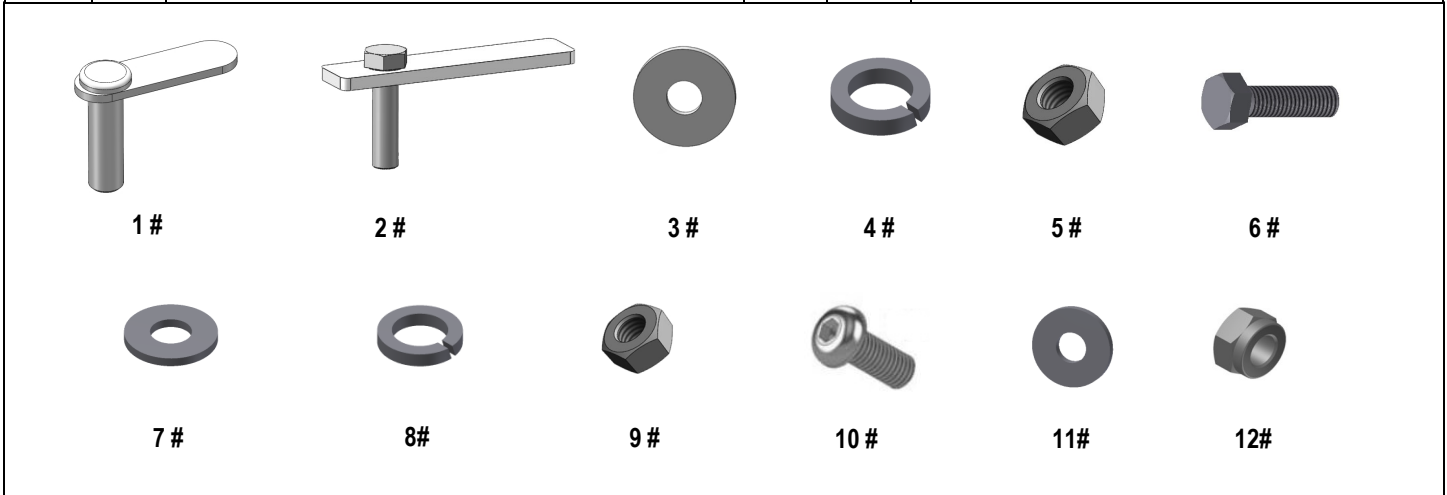


Note: All (3) Driver Side Support Brackets are universal.
All (3) Passenger Side Support Brackets are universal.

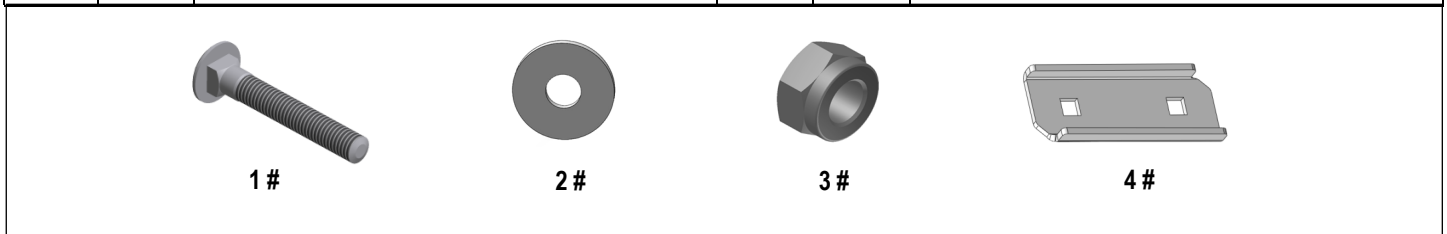
Customer Support: info@iboardauto.com



Hardware Package A (For Bracket Installation)					
Item	QTY	Description	Item	QTY	Description
1#	2	M10X35 Bolt Plates	7#	12	M8 Large Flat Washers
2#	4	M10X40 Bolt Plates	8#	6	M8 Lock Washers
3#	6	M10 Large Flat Washers	9#	6	M8 Hex Nuts
4#	6	M10 Lock Washers	10#	6	M6X1-20mm Inner Hex Bolts
5#	6	M10 Hex Nuts	11#	12	M6 Large Flat Washers
6#	6	M8X1.25-25mm Hex Bolts	12#	6	M6 Nylon Lock Nuts



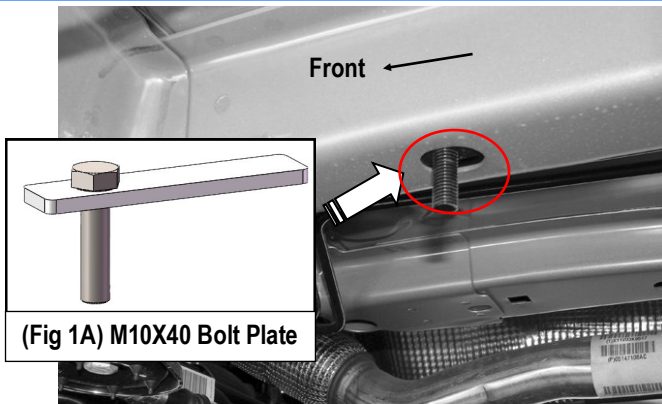
Hardware Package B (For Step Bar Installation)					
Item	QTY	Description	Item	QTY	Description
1#	12	M8X1.25-35mm Carriage Bolts	3#	12	M8 Nylon Lock Nuts
2#	12	M8 Large Flat Washers	4#	6	Sliders (Packed with Mounting Brackets)





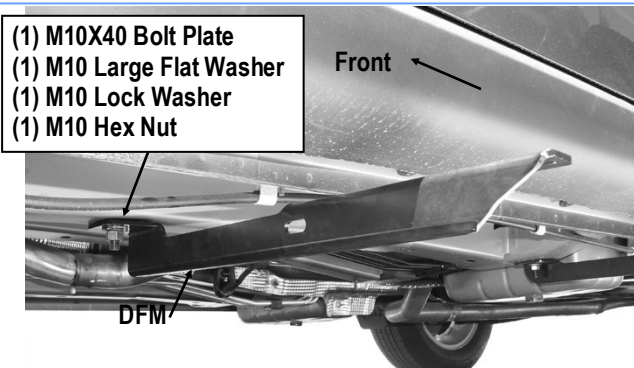
STEP 1

Start installation from the driver side front of the vehicle. Locate the factory oval hole at the bottom of the inner frame channel, **(Fig 1)**. Insert (1) M10X40 Bolt Plate into the factory hole, **(Figs 1A & 1B)**. Attach the Driver Front Mounting Bracket (DFM) to the installed M10X40 Bolt Plate with (1) M10 Large Flat Washer, (1) M10 Lock Washer and (1) M10 Hex Nut, **(Fig 2)**. Do not fully tighten hardware at this time.



(Fig 1A) M10X40 Bolt Plate

**(Fig 1B) M10X40 Bolt Plate Installed
(On Driver Side Front Mounting Location)**

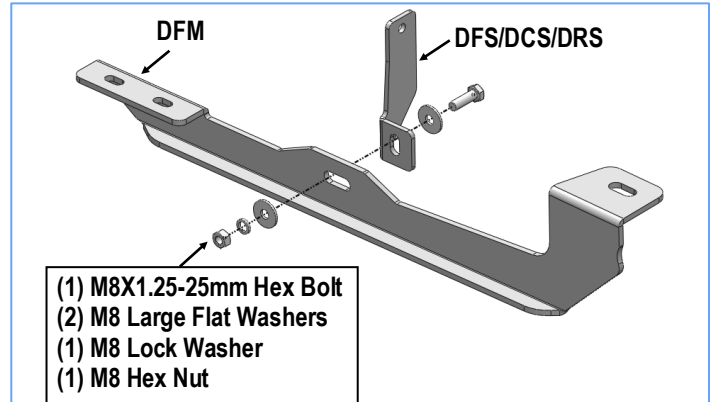


- (1) M10X40 Bolt Plate
- (1) M10 Large Flat Washer
- (1) M10 Lock Washer
- (1) M10 Hex Nut

(Fig 2) Driver Front Mounting Bracket (DFM) Installed

STEP 2

Select (1) Driver Side Support Bracket (DFS/DCS/DRS). Bolt the Support Bracket to the front of the Mounting Bracket with (1) M8X1.25-25mm Hex Bolt, (2) M8 Large Flat Washers, (1) M8 Lock Washer and (1) M8 Hex Nut, **(Fig 3)**. Do not fully tighten hardware at this time.

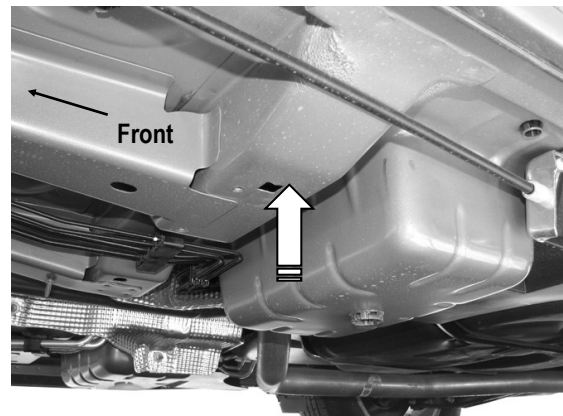


- (1) M8X1.25-25mm Hex Bolt
- (2) M8 Large Flat Washers
- (1) M8 Lock Washer
- (1) M8 Hex Nut

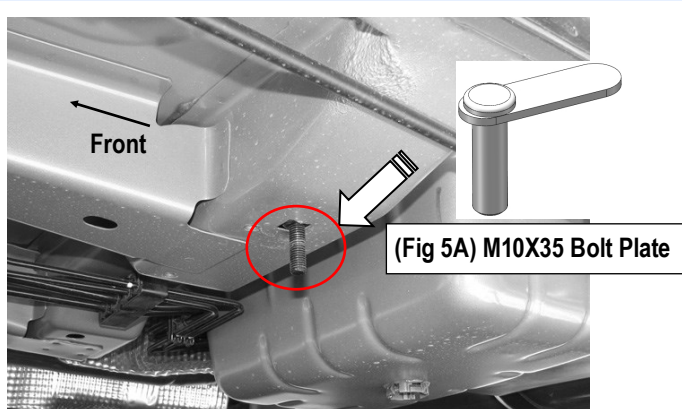
(Fig 3) Driver Front Brackets Assembly

STEP 3

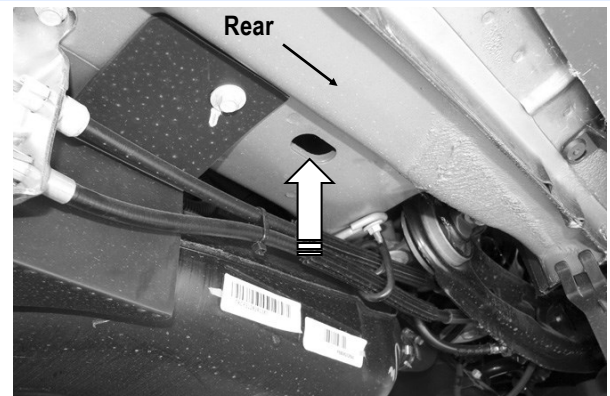
Move to the driver side center mounting location. Locate the square hole at the bottom of the frame channel, **(Fig 4)**. Insert (1) M10X35 Bolt Plate into the factory hole, **(Figs 5A & 5B)**. Attach the Driver Center Mounting Bracket (DCM) to the M10X35 Bolt Plate with (1) M10 Large Flat Washer, (1) M10 Lock Washer and (1) M10 Hex Nut, **(Fig 6)**. Attach the Driver Support Bracket (DFS/DCS/DRS) to the mounting bracket, **(Fig 6)**. Do not fully tighten hardware at this time.



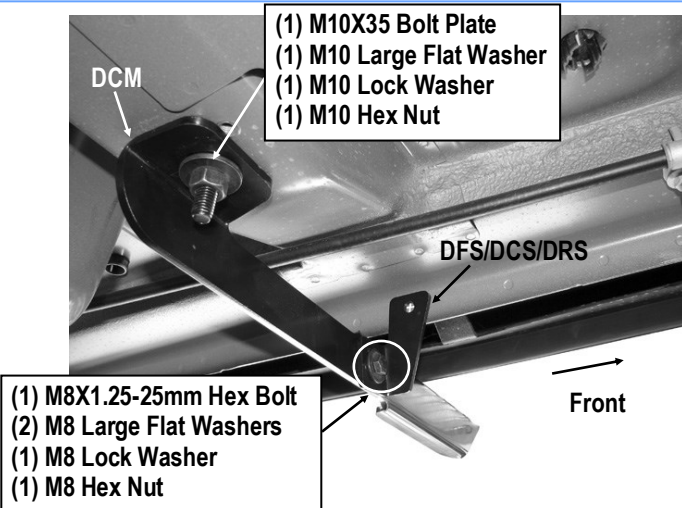
(Fig 4) Driver Side Center Mounting Location



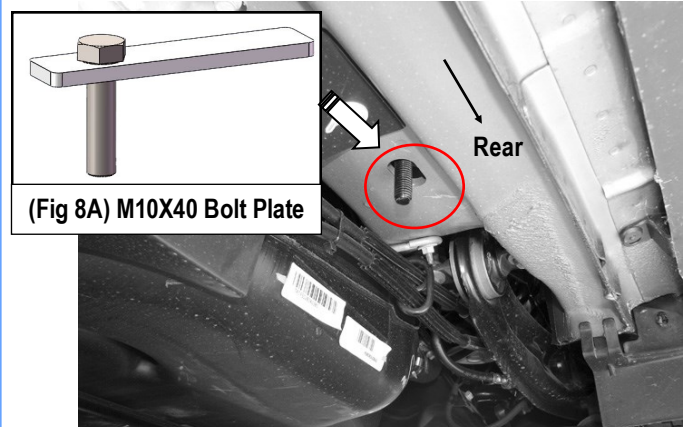
(Fig 5B) M10X35 Bolt Plate Installed
(On Driver Side Center Mounting Location)



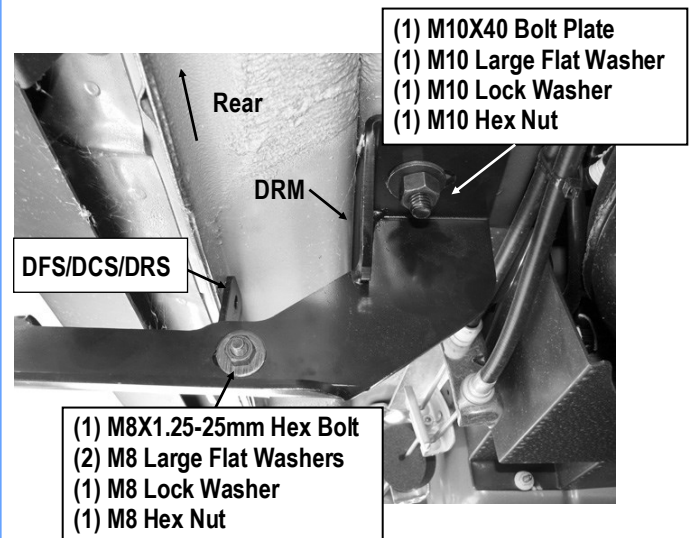
(Fig 7) Driver Side Rear Mounting Location



(Fig 6) Driver Side Center Brackets Installed



(Fig 8B) M10X40 Bolt Plate Installed
(on Driver Side Rear Mounting Location)



(Fig 9) Driver Side Rear Brackets Installed

STEP 4

Move to the driver side rear mounting location, locate the factory oval hole on the floor panel, (Fig 7). Insert (1) M10X40 Bolt Plate into the oval hole, (Figs 8A & 8B). Rotate the Bolt Plate 90-degrees or until it stopped cross to the oval hole. Attach the Driver Rear Mounting Bracket (DRM) to the M10X40 Bolt Plate with (1) M10 Large Flat Washer, (1) M10 Lock Washer and (1) M10 Hex Nut, (Fig 9). Secure the Driver Side Support Bracket onto the Mounting Bracket, (Fig 9). Do not fully tighten hardware at this time.



STEP 5

Once all (3) Driver side mounting brackets are installed, then proceed to the Step Bar installation. (**Figs 10 & 11**)

- (1) Select (1) Slider and (2) M8X1.25-35mm Carriage Bolts;
- (2) Install (2) M8X1.25-35mm Carriage Bolts in (1) Slider.
- (3) Slide the Slider (with carriage bolts) to the **Step Bar**.
- (4) Repeat to install the other (2) sliders to the step bar.
- (5) Attach the Step Bar (with the Sliders) onto the installed mounting brackets. Position the Sliders to the installed brackets. Secure the Step Bar to the installed Brackets by using (6) M8 Large Flat Washers and (6) M8 Nylon Lock Nuts and (3) Sliders, (**Fig 11**). Do not fully tighten hardware at this time.

Note: The Sliders are packed with the Mounting Brackets.

Level and adjust the Step Bar and fully tighten all hardware.

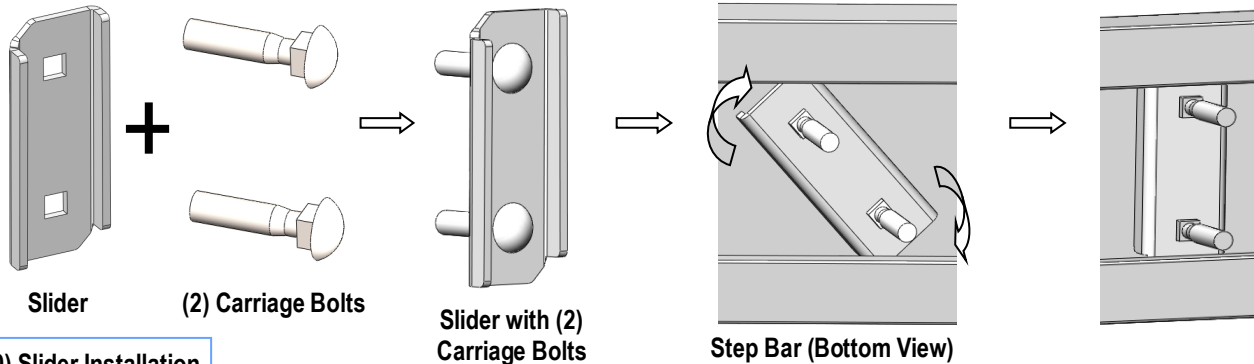
STEP 6

Attach the Support Brackets on the inner side of the pinch weld. Secure the Support Brackets to the pinch weld temporarily by using clamps, (**Fig 12**). Mark the location of the (3) Support Brackets onto the inner side of the pinch weld, (**Fig 13**). Once all (3) locations are marked, drill 1/4" through holes on the pinch weld, (If necessary, remove the Step Bar or loosen the Brackets).

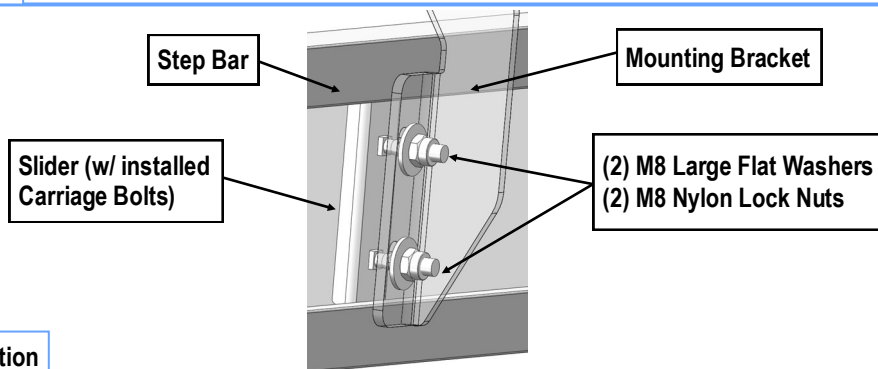
VERY IMPORTANT: Do not drill too close to the edge of the pinch weld.

Attach each Support Bracket to the pinch weld with (1) M6X1-20mm Inner Hex Bolt, (2) M6 Large Flat Washers and (1) M6 Nylon Lock Nut, (**Fig 14**).

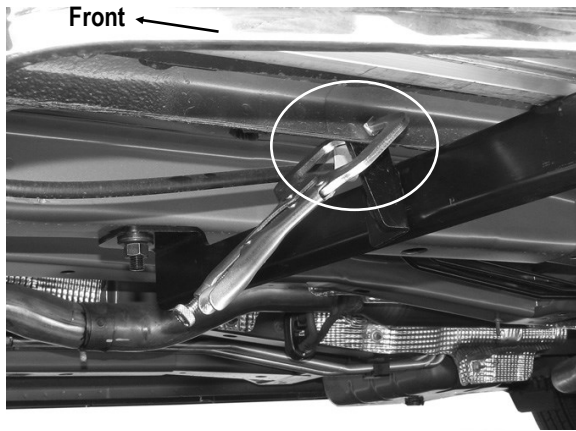
Reinstall the Step Bar, align, adjust as necessary and tighten all hardware.



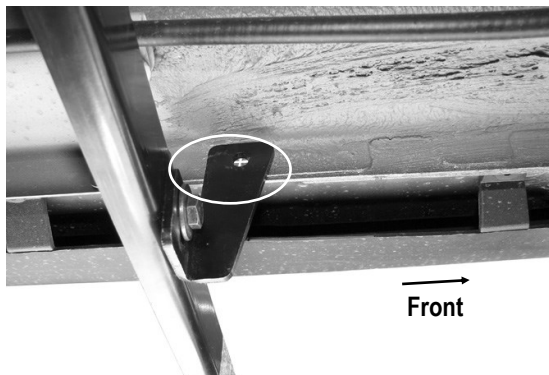
(Fig 10) Slider Installation



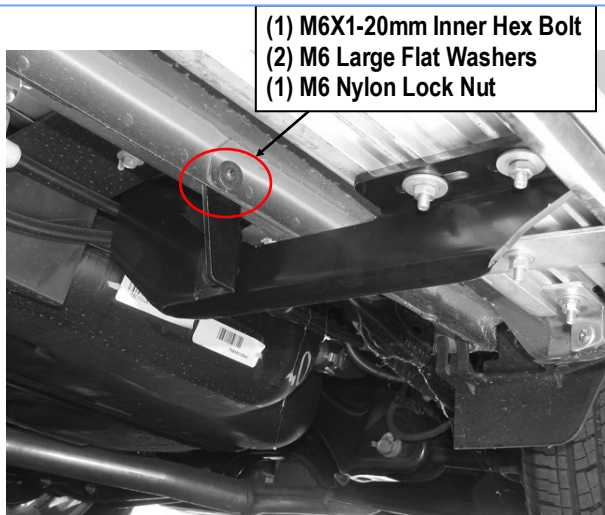
(Fig 11) Step Bar Installation



(Fig 12) Secure The Support Brackets To The Pinch Weld Temporarily By Using Clamps



(Fig 13) Mark The Locations Onto The Inner Side Of The Pinch Weld



(Fig 14) Support Bracket Installation

STEP 7

Repeat **Steps 1-7** for the other side Step Bar installation. The installation is completed.

Attention

Do periodic inspections to the installation to make sure that all hardware is secure and tight.

In order to protect your bars/boards, please use mild soap/non-abrasive products for cleaning only.