

iBoard®



Scan for
Installation Video

iBoard® by APS

PART#: IB-K403C&H

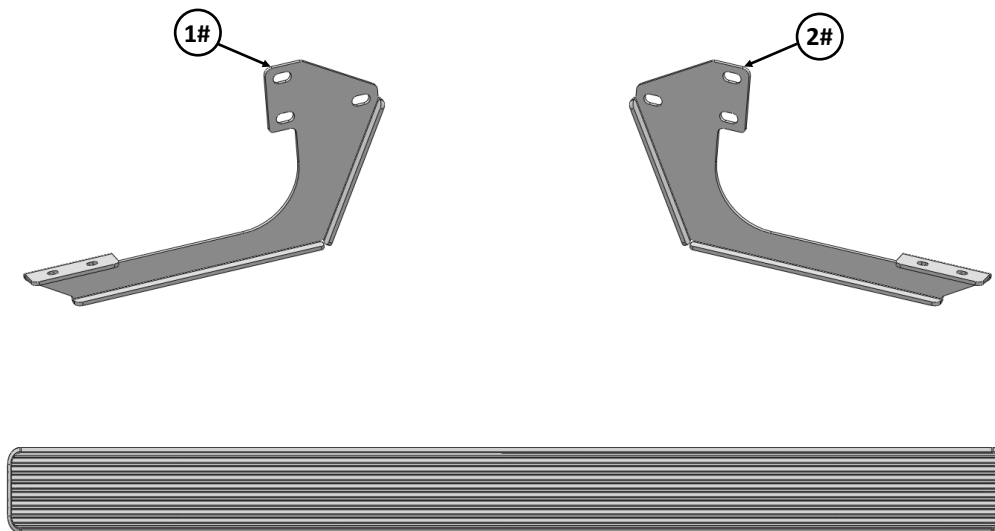
READ INSTRUCTIONS CAREFULLY BEFORE STARTING INSTALLATION. REMOVE CONTENTS FROM BOX AND VERIFY ALL PARTS ARE PRESENT. ASSISTANCE IS RECOMMENDED.

*BODY/ FRAME MOUNT
*NO DRILLING REQUIRED

Fastener Size	Tightening Torque (ft-lbs)	Required
6mm	6-7	X
8mm	16-18	√
10mm	31-32	X
12mm	56-58	√
14mm	92-94	X

PART LIST

Front




Customer Support: info@iboardauto.com




Mounting Bracket List					
Item	QTY	Description	Item	QTY	Description
1#	1	Driver Side Mounting Bracket	2#	1	Passenger Side Mounting Bracket


Hardware Package A (For Bracket Installation)					
Item	QTY	Description	Item	QTY	Description
1#	6	M12X1.75-110mm Hex Bolts	3#	6	M12 Nylon Lock Nuts
2#	12	M12 Large Flat Washers			



1 #

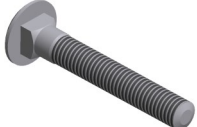


2 #




3 #


Hardware Package B (For Stainless Steel Step Bar Installation)					
Item	QTY	Description	Item	QTY	Description
1#	4	M8X1.25-35mm Carriage Bolts	3#	4	M8 Nylon Lock Nuts
2#	4	M8 Large Flat Washers	4#	2	Sliders (Packed with Mounting Brackets)



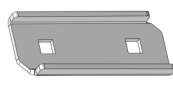
1 #



2 #



3 #



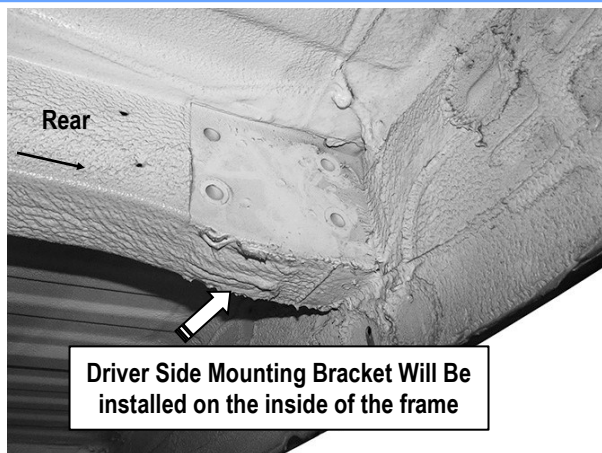
4 #



WARNING: ALLOW TIME FOR THE MUFFLER TO COOL COMPLETELY BEFORE INSTALLING MOUNTING BRACKETS.

STEP 1

Start installing the mounting bracket under driver side on the rear of the vehicle, (Fig 1). Determine the correct installation for your model.

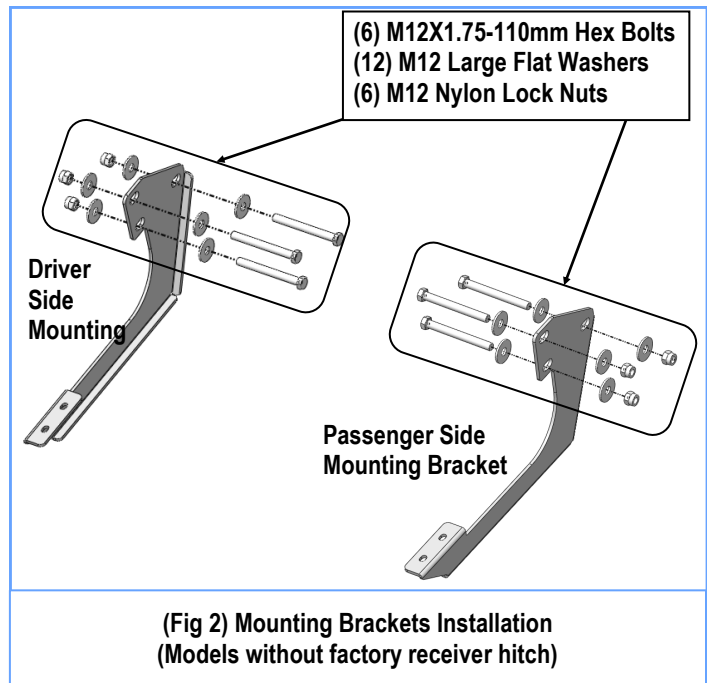


(Fig 1) Driver Side Mounting Location
(Models without factory receiver hitch)

STEP 2

Models without factory receiver hitch:

- Locate the (4) factory holes at the end of the driver side frame channel, (Fig 1). Select the Driver Side Mounting Bracket, (Fig 2).
IMPORTANT: On models without receiver hitch, install the Bracket on the inside of the frame channel, (Fig 1).
- Attach the Mounting Bracket to the inside of the frame with the included (3) M12X1.75-110mm Hex Bolts, (6) M12 Large Flat Washers and (3) M12 Nylon Lock Nuts, (Fig 2). Do not fully tighten hardware at this time.

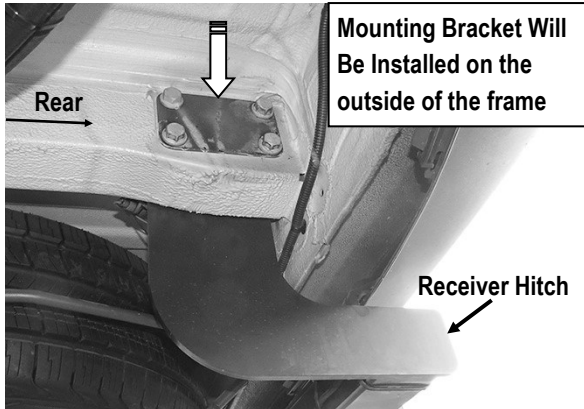


(Fig 2) Mounting Brackets Installation
(Models without factory receiver hitch)

STEP 3

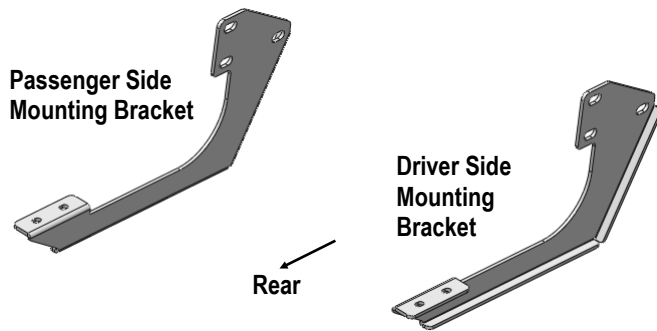
Models with factory receiver hitch:

- Locate the (4) Factory Hex Bolts attaching the receiver hitch on the inside of the driver side frame channel, (Fig 3).
- Select the Passenger Side Mounting Bracket, (Fig 4).
IMPORTANT: On models with receiver hitch, the Brackets will be flipped side to side, so the passenger side Bracket will be installed on the outside of the driver side frame channel to clear the hitch, (Fig 4).
- Hold the Bracket up in place at the outside of the frame channel to determine which (3) Factory Hex Bolts to remove. Remove the necessary (3) Factory Hex Bolts only.
- Attach the Mounting Bracket to the outside of the frame with the included longer (3) M12X1.75-110mm Hex Bolts, (6) M12 Large Flat Washers and (3) M12 Nylon Lock Nuts, (Fig 5). Do not fully tighten hardware at this time.

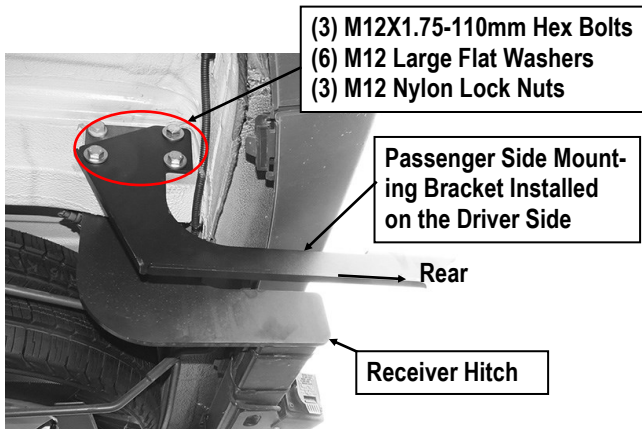


Mounting Bracket Will Be Installed on the outside of the frame

(Fig 3) Driver Side Mounting Location
(Models with factory receiver hitch)



(Fig 4) Flip Mounting Brackets Left To Right
(Models with factory receiver hitch)



(Fig 5) Passenger Side Mounting Bracket Installed on Driver Side
(Models with factory receiver hitch)

STEP 4

Repeat **Steps 1-3** for the passenger side Installation.

STEP 5

Once all (2) mounting brackets are installed, then proceed to the Step Bar installation. (Figs 6&7)

- (1) Select (1) Slider and (2) M8X1.25-35mm Carriage Bolts;
- (2) Install (2) M8X1.25-35mm Carriage Bolts in (1) Slider.
- (3) Slide the Slider (with carriage bolts) to the **Step Bar**.
- (4) Repeat to install the other (1) slider to the step bar.
- (5) Attach the Step Bar (with the Sliders) onto the installed mounting brackets. Position the Sliders to the installed brackets. Secure the Step Bar to the installed Brackets by using (4) M8 Large Flat Washers and (4) M8 Nylon Lock Nuts and (2) Sliders, (Fig 7). Do not fully tighten hardware at this time.

Note: The Sliders are packed with Mounting Brackets.

Level and adjust the Step Bar and fully tighten all hardware.
The installation is completed!!!

Attention

Do periodic inspections to the installation to make sure that all hardware is secure and tight.

In order to protect your bars/boards, please use mild soap/non-abrasive products for cleaning only.



Scan for
Installation Video

