

iBoard®



Scan for
Installation Video

iBoard® by APS

PART#: IB-K401C&H

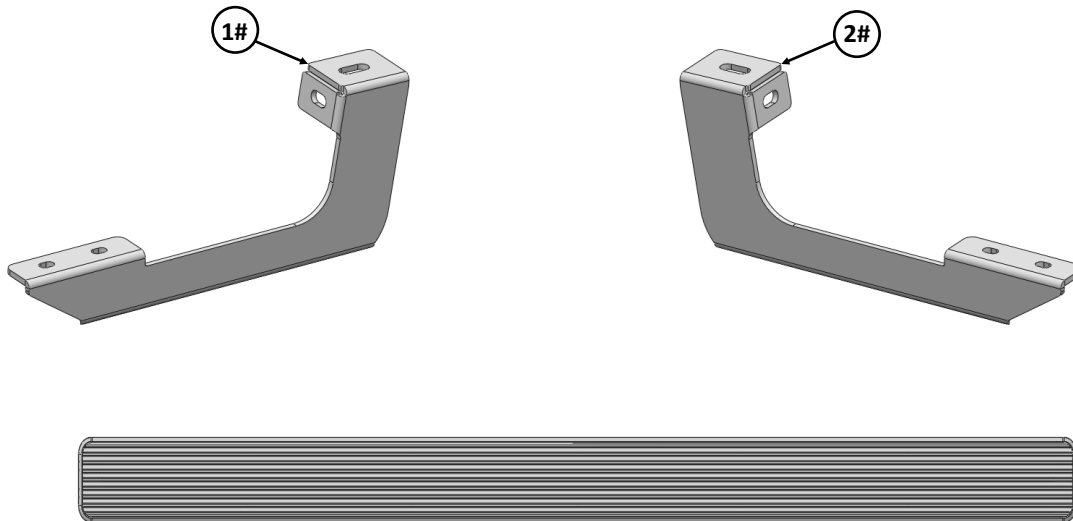
READ INSTRUCTIONS CAREFULLY BEFORE STARTING INSTALLATION. REMOVE CONTENTS FROM BOX AND VERIFY ALL PARTS ARE PRESENT. ASSISTANCE IS RECOMMENDED.

*BODY FRAME MOUNT
*NO DRILLING REQUIRED

Fastener Size	Tightening Torque (ft-lbs)	Required
6mm	6-7	X
8mm	16-18	√
10mm	31-32	√
12mm	56-58	X
14mm	92-94	X

PART LIST

Front




Customer Support: info@iboardauto.com




Mounting Bracket List					
Item	QTY	Description	Item	QTY	Description
1#	1	Driver Side Mounting Bracket	2#	1	Passenger Side Mounting Bracket


Hardware Package A (For Bracket Installation)					
Item	QTY	Description	Item	QTY	Description
1#	2	M10X40 Bolt Plates	4#	2	M10 Lock Washers
2#	2	M10 Plastic Washers	5#	2	M10 Hex Nuts
3#	2	M10 Large Flat Washers			




1 #




2 #



3 #

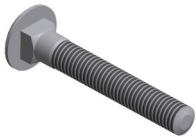


4 #




5 #


Hardware Package B (For Stainless Steel Step Bar Installation)					
Item	QTY	Description	Item	QTY	Description
1#	4	M8X1.25-35mm Carriage Bolts	3#	4	M8 Nylon Lock Nuts
2#	4	M8 Large Flat Washers	4#	2	Sliders (Packed with Mounting Brackets)




1 #



2 #



3 #



4 #

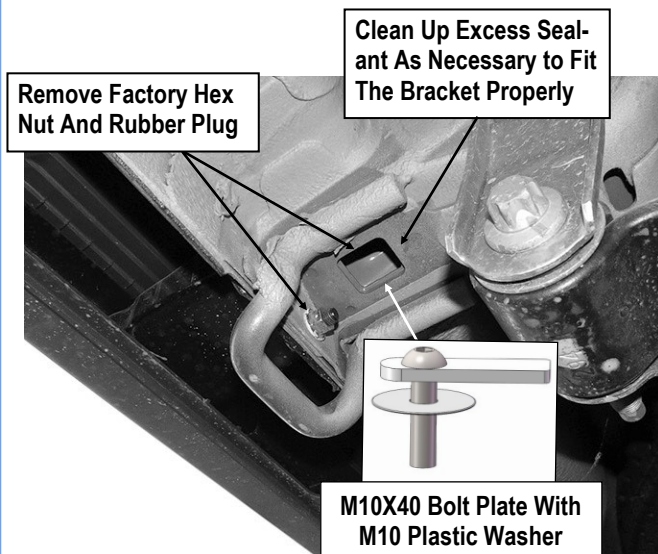


WARNING: ALLOW TIME FOR THE MUFFLER TO COOL COMPLETELY BEFORE INSTALLING MOUNTING BRACKETS.

STEP 1

Starting on the passenger side of the vehicle, locate the square hole at end of the rear frame channel, **(Fig 1)**.

NOTE: Remove rubber plug if equipped. Next, remove the factory hex nut attaching the bottom bumper bracket bolt to the frame channel inside the rear tow hook.



(Fig 1) Passenger Side Mounting Location

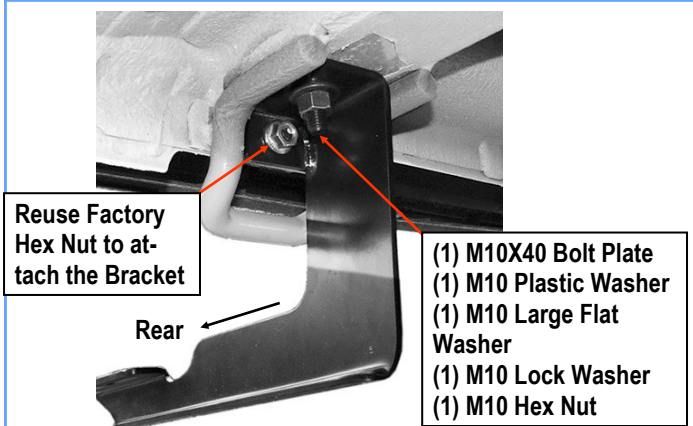
STEP 2

Insert (1) M10X40 Bolt Plate into the square hole in the bottom of the frame channel, **(Fig 1)**. Use the included M10 Plastic Washer to help hold the Bolt Plate in place in the frame.

STEP 3

Select the Passenger Side Mounting Bracket. Attach the Bracket to the installed M10X40 Bolt Plate with the included (1) M10 Large Flat Washer, (1) M10 Lock Washer and (1) M10 Hex Nut, **(Fig 2)**. Reuse the factory hex nut to attach the Mounting Bracket to the bumper bracket bolt. Do not fully tighten hardware at this time.

Repeat **Steps 1-3** to install the driver side Mounting Bracket.



(Fig 2) Passenger Side Mounting Bracket Installed

STEP 4

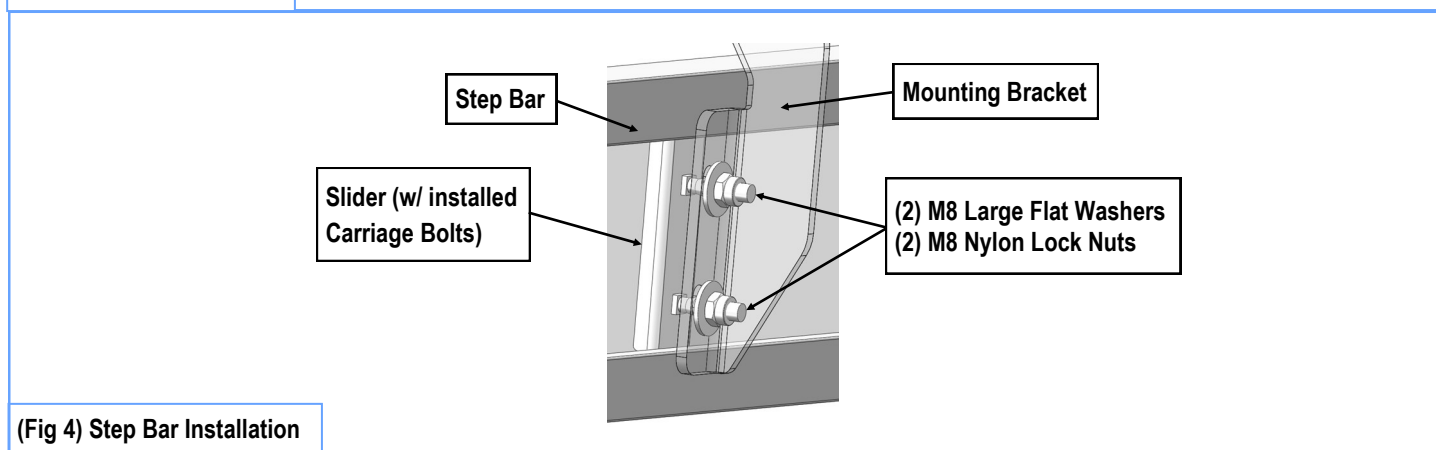
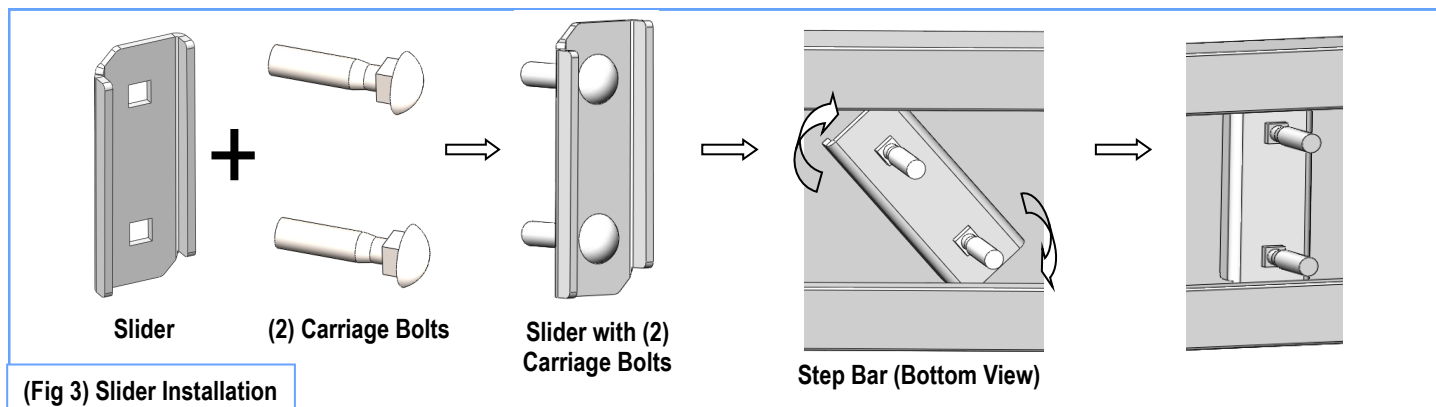
Once all (2) mounting brackets are installed, then proceed to the Step Bar installation. **(Figs 3&4)**

- (1) Select (1) Slider and (2) M8X1.25-35mm Carriage Bolts;
- (2) Install (2) M8X1.25-35mm Carriage Bolts in (1) Slider.
- (3) Slide the Slider (with carriage bolts) to the **Step Bar**.
- (4) Repeat to install the other (1) slider to the step bar.
- (5) Attach the Step Bar (with the Sliders) onto the installed mounting brackets. Position the Sliders to the installed brackets. Secure the Step Bar to the installed Brackets by using (4) M8 Large Flat Washers and (4) M8 Nylon Lock Nuts and (2) Sliders, **(Fig 4)**. Do not fully tighten hardware at this time.

Note: The Sliders are packed with Mounting Brackets.

Level and adjust the Step Bar and fully tighten all hardware.

The installation is completed!!!



Attention

Do periodic inspections to the installation to make sure that all hardware is secure and tight.
In order to protect your bars/boards, please use mild soap/non-abrasive products for cleaning only.