

iBoard®



Scan for Installation Video

iBoard® by APS

PART#: IB-295L C&H

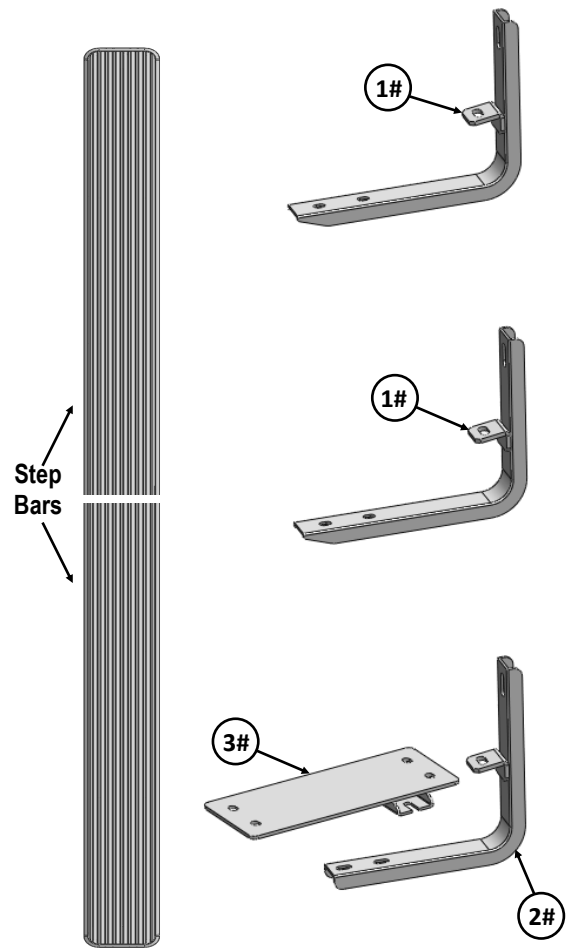
READ INSTRUCTIONS CAREFULLY BEFORE STARTING INSTALLATION. REMOVE CONTENTS FROM BOX AND VERIFY ALL PARTS ARE PRESENT. ASSISTANCE IS RECOMMENDED.

*ROCKER PANEL MOUNT
*NO DRILLING REQUIRED

Fastener Size	Tightening Torque (ft-lbs)	Required
6mm	6-7	X
8mm	16-18	√
10mm	31-32	X
12mm	56-58	X
14mm	92-94	X

PART LIST

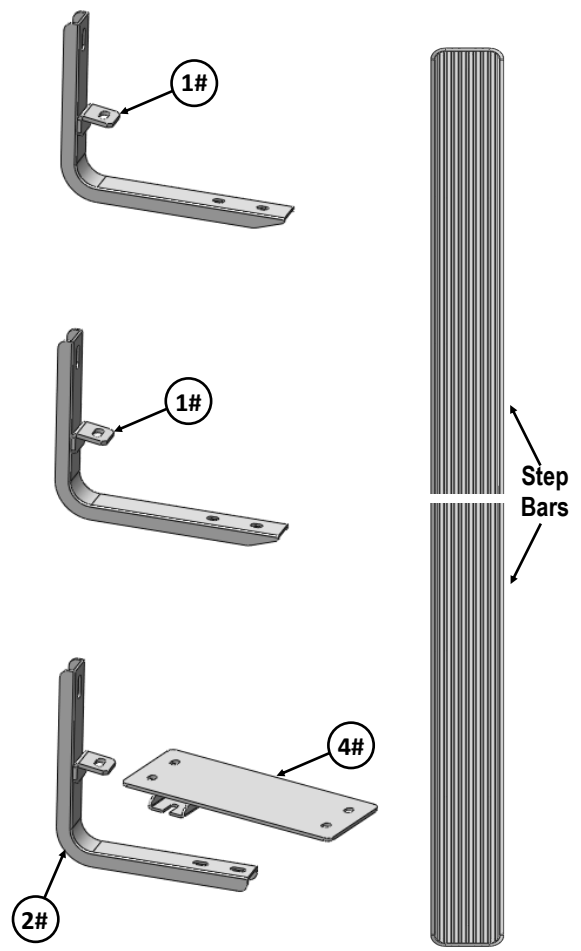
Driver Side Step Bar



Front



Passenger Side Step Bar



Customer Support: info@iboardauto.com



Mounting Bracket List

Item	QTY	Description	Item	QTY	Description
1#	4	Mounting Brackets	3#	1	Driver Rear Bar Bracket
2#	2	Driver / Passenger Rear Mounting Brackets	4#	1	Passenger Rear Bar Bracket

Hardware Package A (For Bracket Installation)

Item	QTY	Description	Item	QTY	Description
1#	12	M8X1.25-30mm Hex Bolts	4#	12	M8 Lock Washers
2#	4	M8X1.25-25mm Hex Bolts	5#	4	M8X1.25 Nylon Lock Nuts
3#	20	M8 Flat Washers			

1 #

2 #

3 #

4 #

5 #

Hardware Package B (For Stainless Steel Step Bar Installation)

Item	QTY	Description	Item	QTY	Description
1#	16	M8X1.25-35mm Carriage Bolts	3#	16	M8 Nylon Lock Nuts
2#	16	M8 Large Flat Washers	4#	8	Sliders (Packed with Step Bars)

1 #

2 #

3 #

4 #

Hardware Package C (For Stainless Steel Step Bar Assembly)

Item	QTY	Description	Item	QTY	Description
1#	8	Plastic Rivets	5#	4	M8 Hex Nuts
2#	12	M8X1.25-25mm Inner Hex Bolts	6#	2	Plastic Covers (Packed with Step Bars)
3#	16	M8 Flat Washers	7#	2	Back Plates (Packed with Step Bars)
4#	12	M8 Lock Washers			

1 #

2 #

3 #

4 #

5 #

6 #

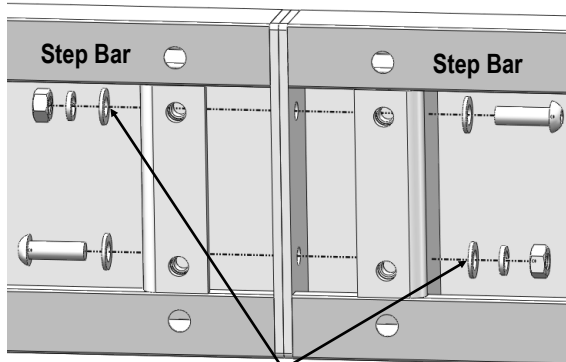
7 #



STEP 1

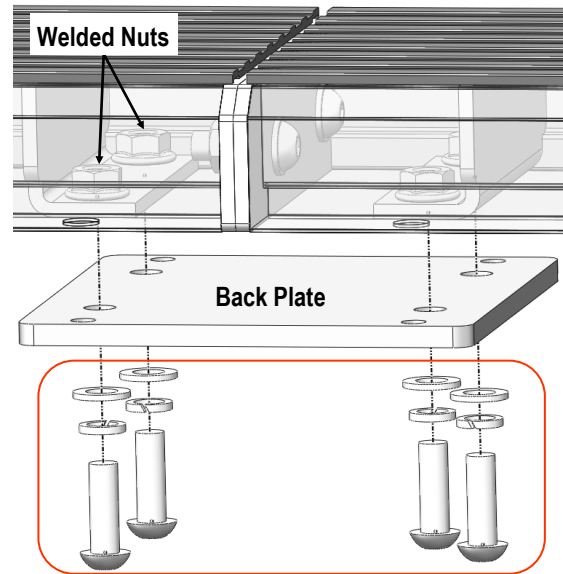
Step Bar Assembly:

1. Select and assemble (2) Step Bars with (2) M8X1.25-25mm Inner Hex Bolts, (4) M8 Flat Washers, (2) M8 Lock Washers and (2) M8 Hex Nuts, (Fig 1). **NOTE: (4) Step Bars are universal.**
2. Attach (1) Back Plate to the bottom of the installed (2) Step Bars with (4) M8X1.25-25mm Inner Hex Bolts, (4) M8 Flat Washers, (4) M8 Lock Washers, (Fig 2).
3. Install (1) Plastic Cover to cover the joint of (2) Step bars with (4) Plastic Rivets, (Fig 3).
4. Repeat to assemble the other (2) Step Bars.



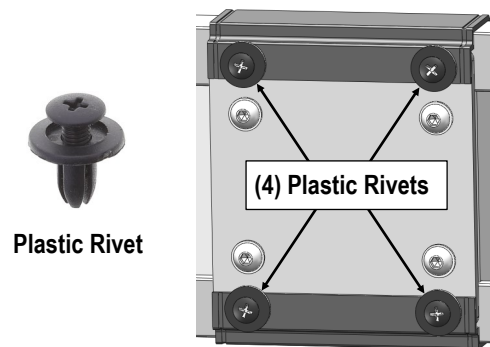
(2) M8X1.25-25mm Inner Hex Bolts
(4) M8 Flat Washers
(2) M8 Lock Washers
(2) M8 Hex Nuts

(Fig 1) Step Bars Assembly



(4) M8X1.25-25mm Inner Hex Bolts
(4) M8 Flat Washers
(4) M8 Lock Washers

(Fig 2) Back Plate Installation



Plastic Rivet

(Fig 3) Plastic Cover Installation
(Bottom View)

Assembled Step Bars

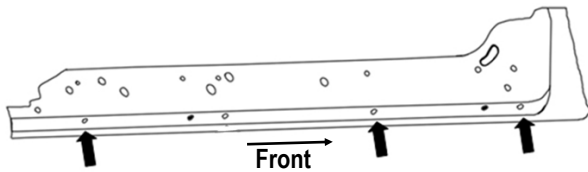




STEP 2

Start the installation from the driver side of the vehicle. Locate the 6 plugs along the bottom edge of the body. Mounting Brackets will bolt to the 1st, 3rd and 6th threaded mounting holes, (Fig 4). Remove the plastic plugs from each mounting location. Directly above each threaded insert is a top mounting location on the side of the body panel. Hold a Bracket up in place to help determine the mounting holes to use along the body.

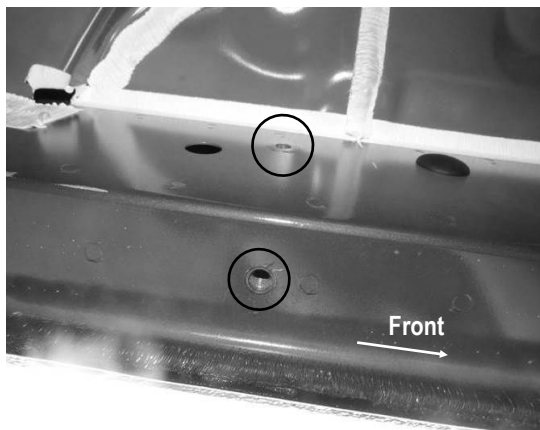
NOTE: Thread (1) 8mm Hex Bolt into the threaded inserts to clear paint as required.



(Fig 4) Driver Side Mounting Locations

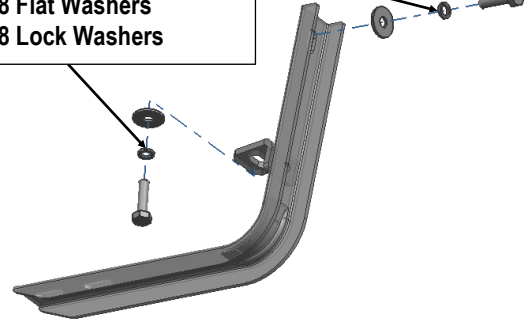
STEP 3

Start from the Driver side Front Mounting location, (Fig 5). Bolt the Driver Front Mounting Bracket to the factory threaded holes with (2) M8X1.25-30mm Hex Bolts, (2) M8 Flat Washers and (2) M8 Lock Washers, (Fig 6). Do not fully tighten hardware at this time.



(Fig 5) Driver Side Front Mounting Location

(2) M8X1.25-30mm Hex Bolts
(2) M8 Flat Washers
(2) M8 Lock Washers

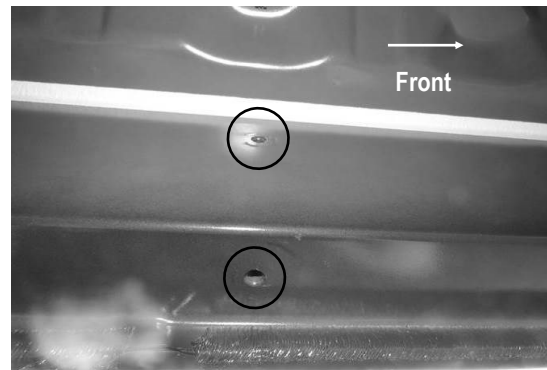


(Fig 6) Driver Front Mounting Bracket Installation

STEP 4

Move to Driver 3rd Mounting locations, (Fig 7). Repeat Steps 1-2 to install the Driver Center Mounting Bracket. Do not fully tighten hardware at this time.

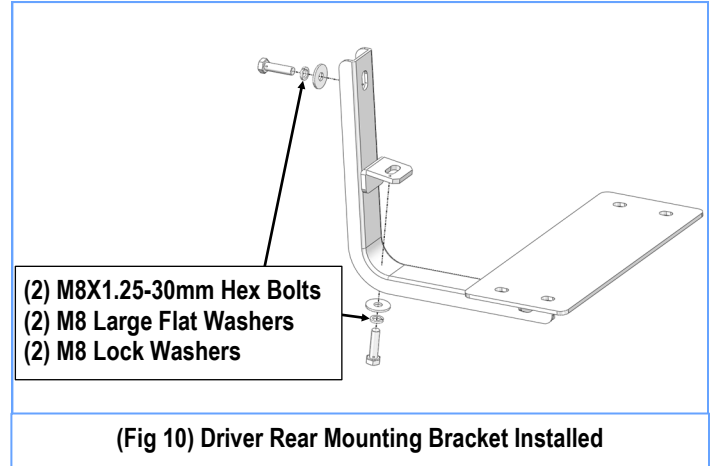
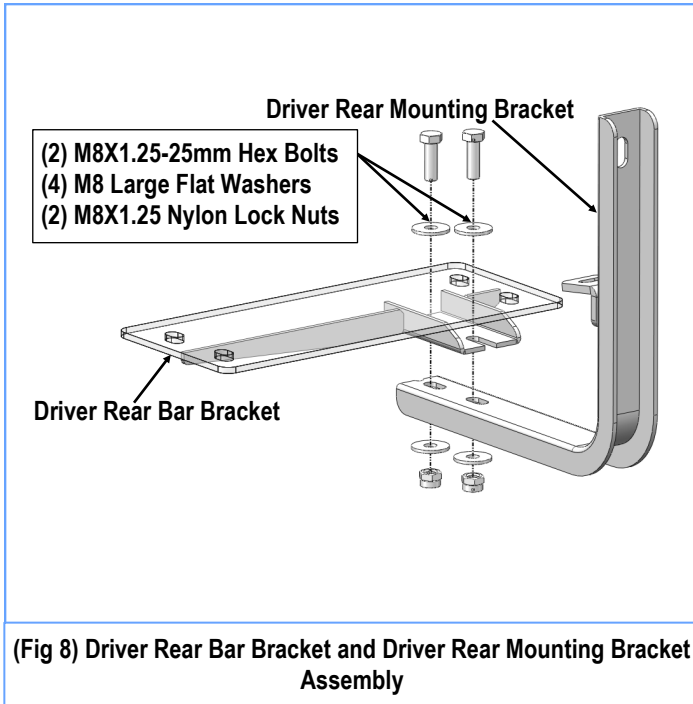
Note: Driver Front Mounting Bracket and Driver Center Mounting Brackets are universal.



(Fig 7) Driver 3rd Mounting Location

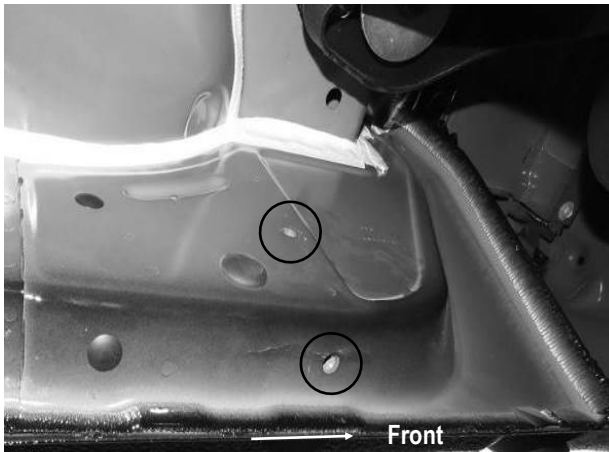
STEP 5

Assemble the Driver Rear Bar Bracket and the Driver Rear Mounting Bracket with (2) M8X1.25-25mm Hex Bolts, (4) M8 Flat Washers, (2) M8X1.25 Nylon Lock Nuts, (Fig 8). Do not fully tighten hardware at this time.



STEP 6

Move to Driver side Rear Mounting location, (Fig 9). Install the assembled Driver Rear Mounting Bracket with (2) M8X1.25-30mm Hex Bolts, (2) M8 Flat Washers and (2) M8 Lock Washers (Fig 10). Do not fully tighten hardware at this time.



(Fig 9) Driver Side Rear Mounting Location

STEP 7

Once all (3) Driver side mounting brackets are installed, then proceed to the Step Bar installation. (Figs 11 & 12)

- (1) Select (1) Slider and (2) M8X1.25-35mm Carriage Bolts;
- (2) Install (2) M8X1.25-35mm Carriage Bolts in (1) Slider.
- (3) Slide the Slider (with carriage bolts) to the **Step Bar**.
- (4) Repeat to install the other (2) sliders to the step bar.
- (5) Attach the Step Bar (with the Sliders) onto the installed mounting brackets. Position the Sliders to the installed brackets. Secure the Step Bar to the installed Brackets by using (8) M8 Large Flat Washers and (8) M8 Nylon Lock Nuts and (4) Sliders, (Fig 12). Do not fully tighten hardware at this time.

Note: The Sliders are packed with the Step Bars.

Level and adjust the Step Bar and fully tighten all hardware. Repeat **Steps 1-7** for the other side Step Bar installation. **The installation is completed!!!**

Attention

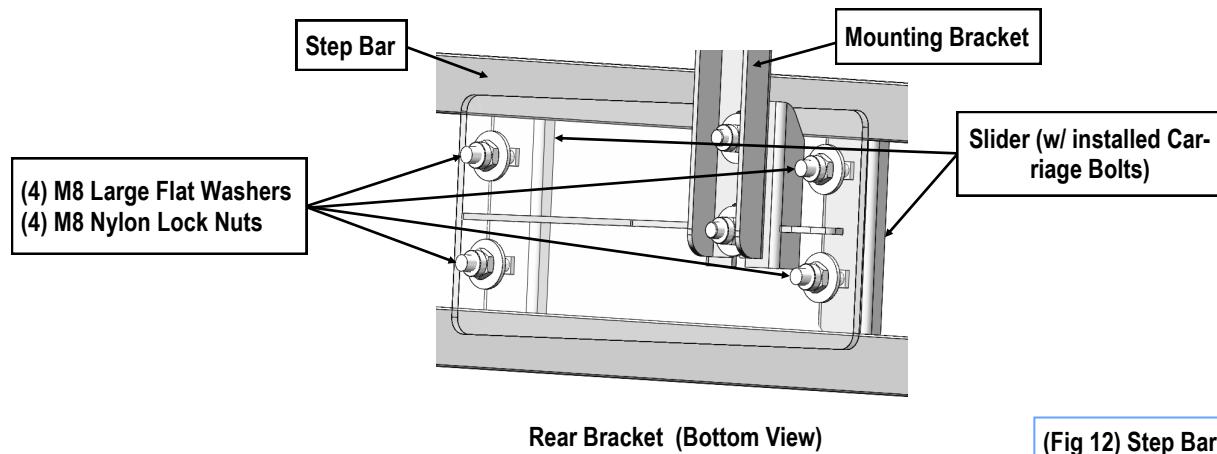
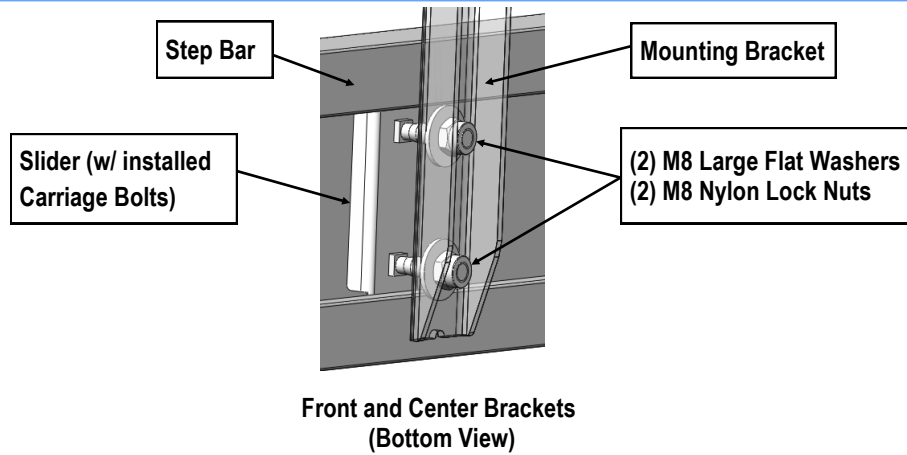
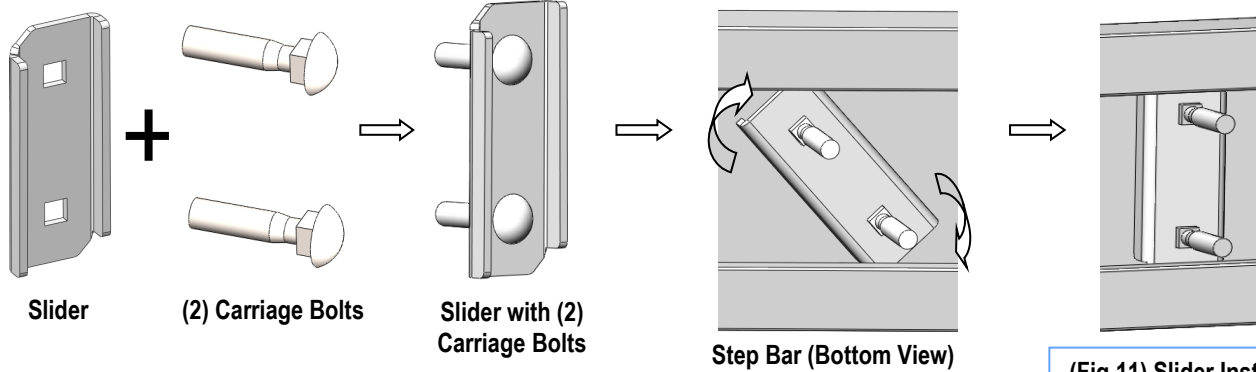
Do periodic inspections to the installation to make sure that all hardware is secure and tight.

In order to protect your bars/boards, please use mild soap/non-abrasive products for cleaning only.

iBoard®



Scan for
Installation Video



(Fig 12) Step Bar Installation