



iBoard® by APS

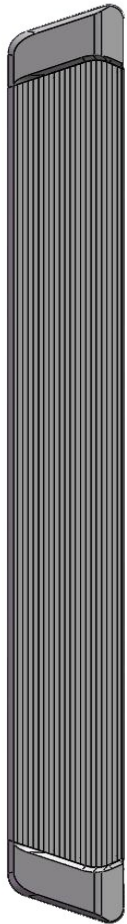
PART#: IB-R004

READ INSTRUCTIONS CAREFULLY BEFORE STARTING INSTALLATION. REMOVE CONTENTS FROM BOX AND VERIFY ALL PARTS ARE PRESENT. ASSISTANCE IS RECOMMENDED.

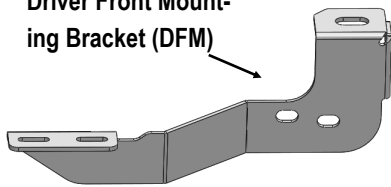
*BODY FRAME MOUNT
*NO DRILLING REQUIRED

Fastener Size	Tightening Torque (ft-lbs)	Required
6mm	6-7	√
8mm	16-18	X
10mm	31-32	√
12mm	56-58	X
14mm	92-94	X

Driver



Driver Front Mounting Bracket (DFM)



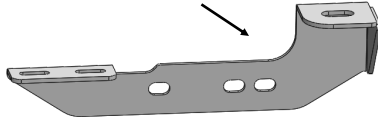
Driver Front Support Bracket (DFS)



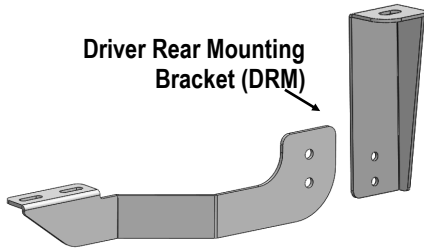
Driver / Passenger Center Support Brackets (DCS/PCS)



Driver Center Mounting Bracket (DCM)



Driver Rear Mounting Bracket (DRM)

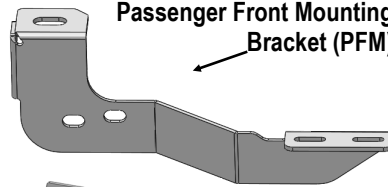


Driver Rear Bar Bracket (DRB)

Front



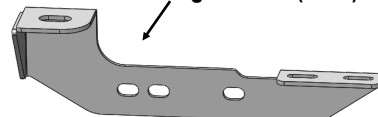
Passenger Front Mounting Bracket (PFM)



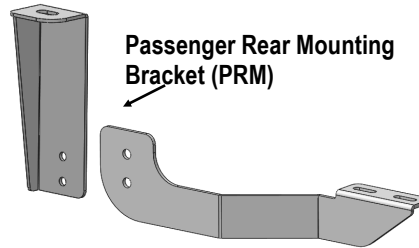
Passenger Front Support Bracket (PFS)



Passenger Center Mounting Bracket (PCM)



Passenger Rear Mounting Bracket (PRM)



Passenger Rear Bar Bracket (PRB)

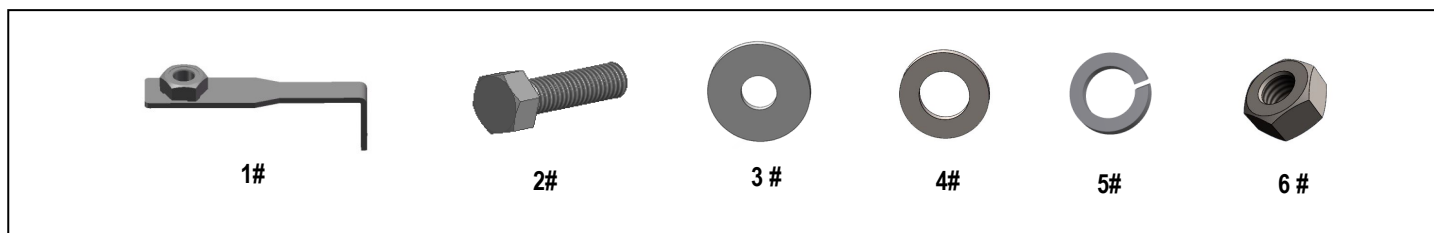
Passenger





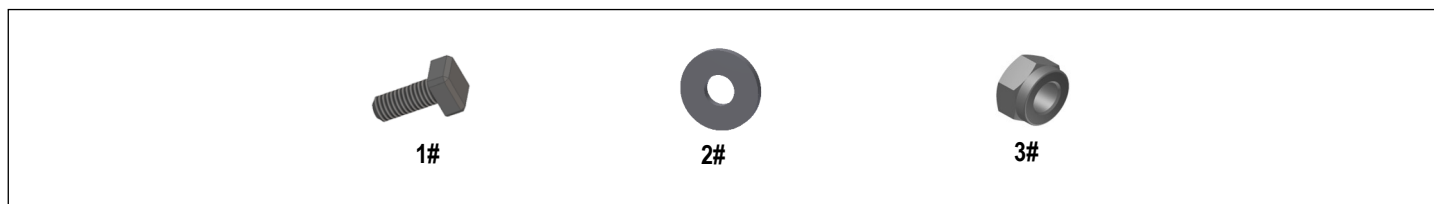
Hardware Package A (For Bracket Installation)

Item	QTY	Description	Item	QTY	Description
1#	2	M10 Nut Plate	4#	18	M10 Flat Washers
2#	12	M10X1.5-30mm Hex Bolts	5#	12	M10 Lock Washers
3#	4	M10 Large Flat Washers	6#	10	M10 Hex Nut



Hardware Package B (For Step Bar Installation)

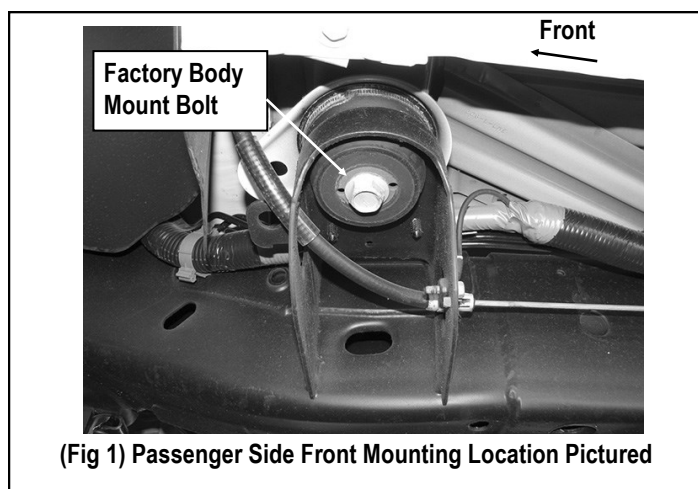
Item	QTY	Description	Item	QTY	Description
1#	12	M6X1-20mm Square Head Bolts	3#	12	M6 Nylon Lock Nuts
2#	12	M6 Large Flat Washers			





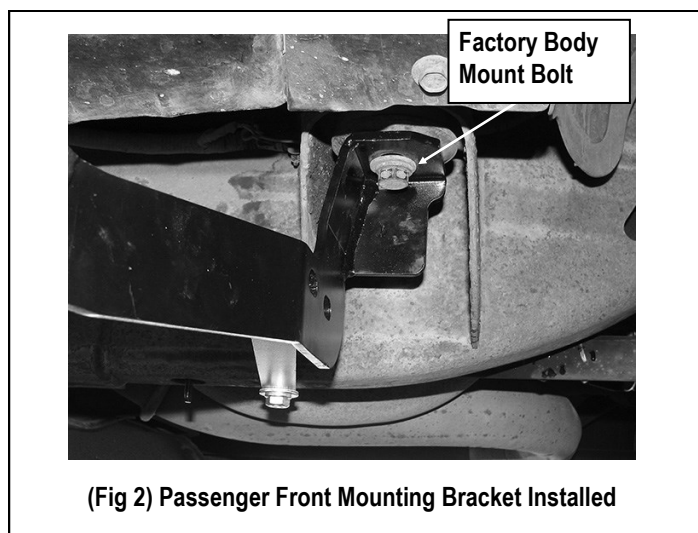
STEP 1

Start the installation under the Passenger side of the vehicle. Remove the front body mount bolt, (**Fig 1**). Do not remove rubber bushings.



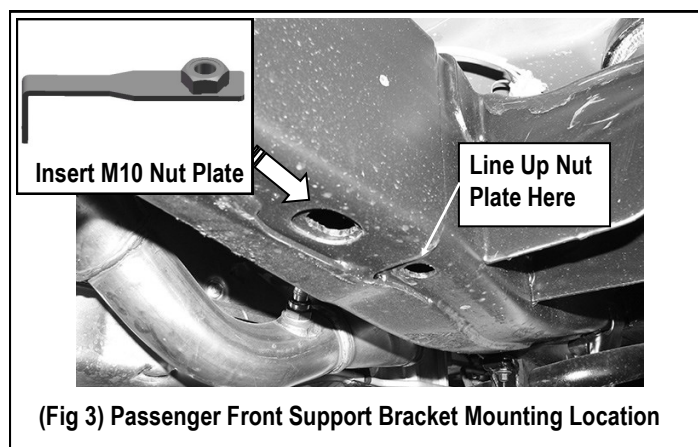
STEP 2

Attach the Passenger Front Mounting Bracket (**PFM**) to the body mount reusing the factory hex bolt, (**Fig 2**). Do not fully tighten hardware at this time.



STEP 3

Move to the passenger front support bracket mounting location. Locate the two factory holes in the bottom of the frame towards the front of the vehicle, (**Fig 3**). Insert (1) M10 Nut Plate into the oval hole and line up the threaded nut with the round hole, (**Fig 3**).



STEP 4

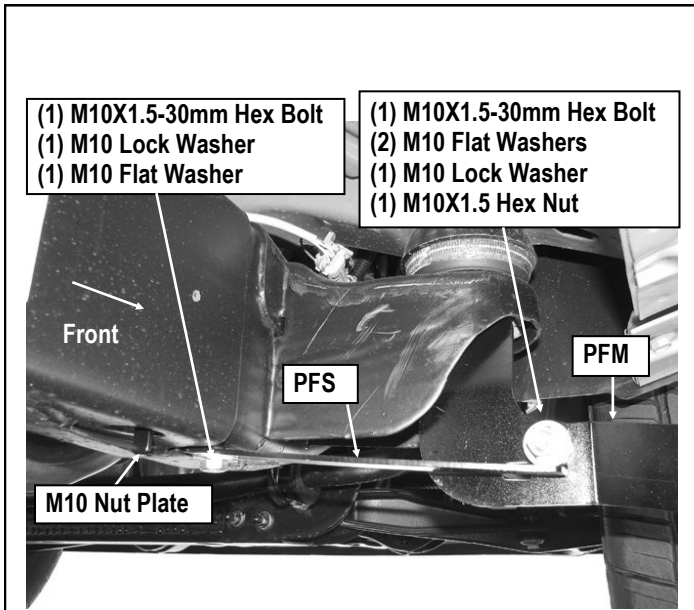
Attach the flat end of the Passenger Front Support Bracket (**PFS**) to the installed M10 Nut Plate with (1) M10X1.5-30mm Hex Bolt, (1) M10 Flat Washer and (1) M10 Lock Washer, (**Figs 4 & 5**). Do not fully tighten hardware at this time.

1500 Models:

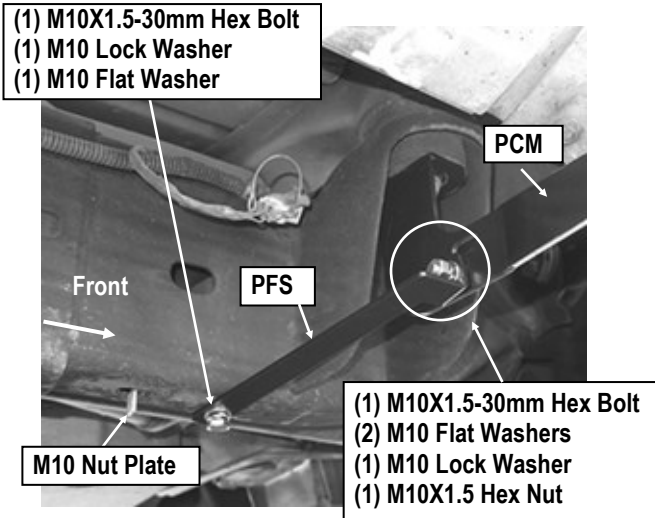
Attach the bent end of the Support Bracket onto the Passenger Front Mounting Bracket with (1) M10X1.5-30mm Hex Bolt, (2) M10 Flat Washers, (1) M10 Lock Washer and (1) M10X1.5 Hex Nut, (**Fig4**). Do not fully tighten hardware at this time.

Up to 2007 2500/3500 Models:

Note that the Front Support Bracket will not reach up to the Mounting Bracket. Tighten the Support Bracket to the Nut Plate in the frame. Carefully push up on the Support Bracket until it reaches the inside hole in the Mounting Bracket. Bolt the Support Bracket to the hole in the Mounting Bracket with (1) M10X1.5-30mm Hex Bolt, (2) M10 Flat Washers, (1) M10 Lock Washer and (1) M10X1.5 Hex Nut, (**Fig 5**). Do not fully tighten hardware at this time.



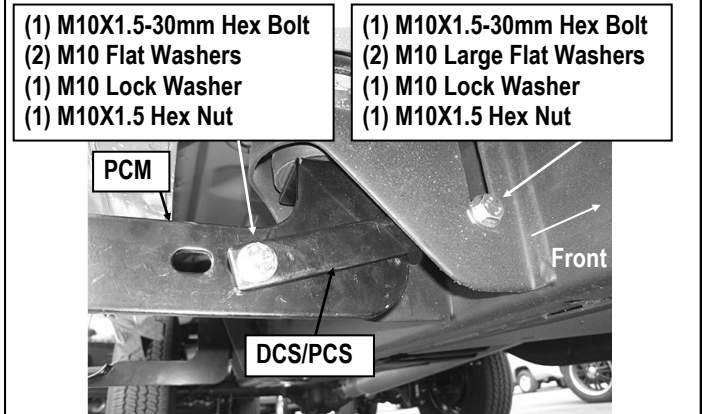
(Fig 4) Passenger Side Front Support Bracket Installed
(1500 Models)



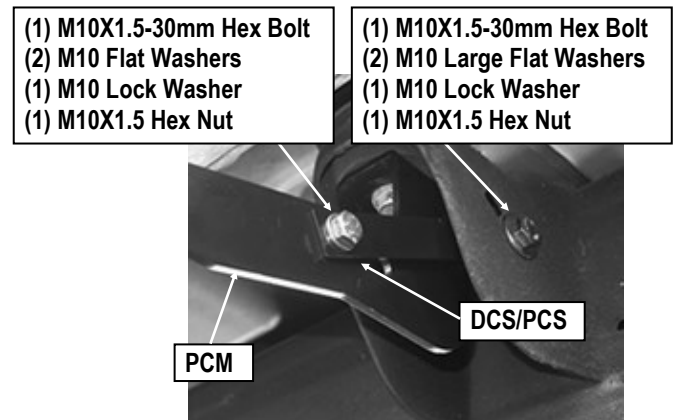
(Fig 5) Passenger Front Support Bracket Installed
(Up to 2007 2500/3500 Models)

STEP 5

Move to the passenger center body mount and remove the factory bolt. Select the Passenger Side Center Mounting Bracket (**PCM**). Repeat **Steps 1-2** to attach the Passenger Center Mounting Bracket. Next, select (1) Passenger Center Support Bracket (**DCS/PCS**). Slide one end of the Center Support Bracket between the factory body mount and the Center Mounting Bracket, (**Fig 6 & 7**). Attach the Support Bracket to the holes in the side of the body mount and the mounting bracket with (2) M10X1.5-30mm Hex Bolts, (2) M10 Large Flat Washers, (2) M10 Flat Washers, (2) M10 Lock Washers and (2) M10X1.5 Hex Nuts. Do not tighten at this time.



(Fig 6) Passenger Center Bracket Installed (1500 Models)

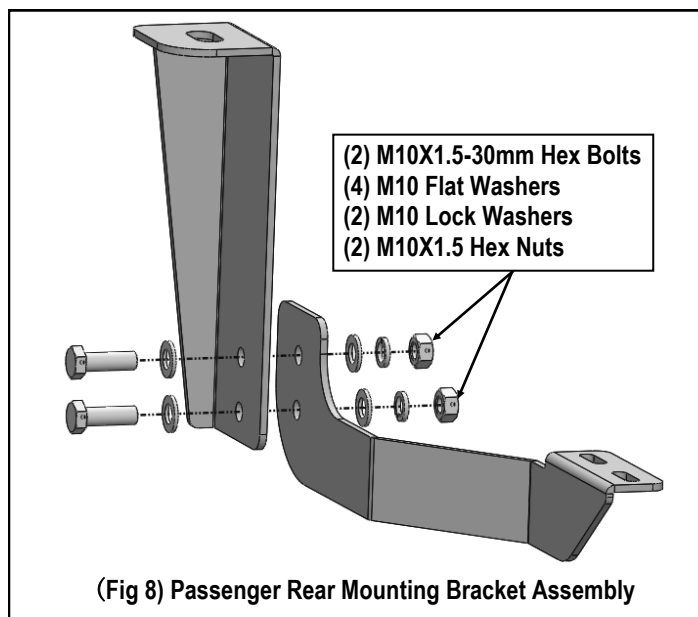


(Fig 7) Passenger Center Bracket Installed
(Up to 2007 2500/3500 Models)



STEP 6

Assemble (1) Passenger Rear Bar Bracket (**PRB**) and (1) Passenger Rear Mounting Bracket (**PRM**) with (2) M10X1.5-30mm Hex Bolt, (4) M10 Flat Washers, (2) M10 Lock Washer and (4) M10X1.5 Hex Nut, (**Fig 8**). Do not fully tighten at this time.



STEP 7

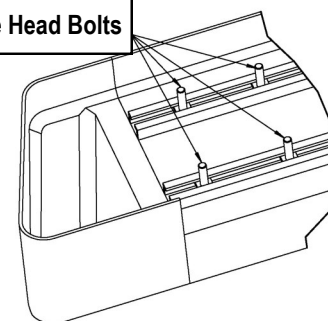
Move to the Passenger rear body mount. Repeat **Steps 1 & 2** to attach the Assembled Passenger Rear Mounting Brackets to the body mount. Do not fully tighten at this time.

STEP 8

Once all (3) mounting brackets are installed, then proceed to the Running Board installation. Slip (3) M6X1-20mm Square Head Bolts into each bottom channel (**Fig 9**). Carefully position the Running Board onto the (3) Mounting Brackets. Attach the Running Board to each Mounting Bracket with (2) M6X1-20mm Square Head Bolts, (2) M6 Large Flat Washers and (2) M6 Nylon Lock Nuts (**Fig 10**). Do not fully tighten at this time.

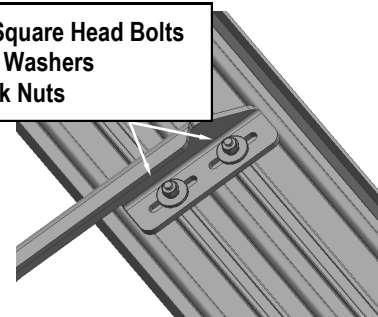
IMPORTANT: Do not slide the Running Board on the Brackets or the bottom surface of the board will be damaged.

M6X1-20mm Square Head Bolts



(Fig 9) Slip M6X1-20mm Square Head Bolts Into The Bottom Channels

(2) M6X1-20mm Square Head Bolts
(2) M6 Large Flat Washers
(2) M6 Nylon Lock Nuts



(Fig 10) Running Board Installed Onto Mounting Bracket

STEP 9

Level and adjust the Running Board and fully tighten all hardware.

Important: Please follow the recommended Tightening Torques shown in the table on page 1. Don't over tighten, or the nuts/bolts will be damaged.

STEP 10

Repeat **Steps 1-9** for the other side Running Board installation. The installation is completed .

Attention

Do periodic inspections to the installation to make sure that all hardware is secure and tight.

In order to protect your bars/boards, please use mild soap/non-abrasive products for cleaning only.