

iBoard®

iBoard® by APS

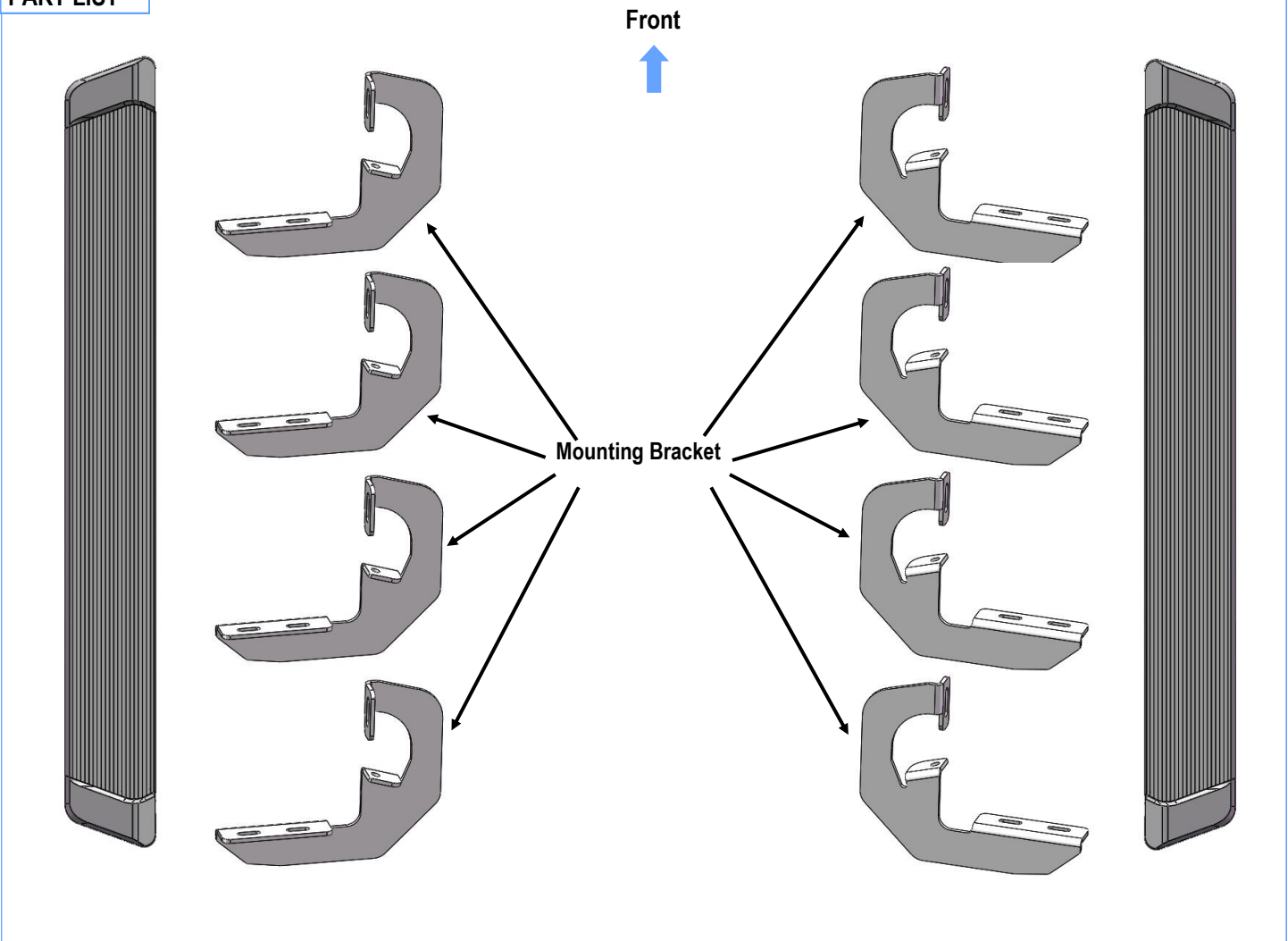
PART#: IB-R905&R906A_B

READ INSTRUCTIONS CAREFULLY BEFORE STARTING INSTALLATION. REMOVE CONTENTS FROM BOX AND VERIFY ALL PARTS ARE PRESENT. ASSISTANCE IS RECOMMENDED.

***ROCKER PANEL MOUNT
*NO DRILLING REQUIRED**

Fastener Size	Tightening Torque (ft-lbs)
6mm	6-7
8mm	16-18
10mm	31-32
12mm	56-58
14mm	92-94

PART LIST



Customer Support: info@iboardauto.com

iBoard®



M8X1.25-20mm
Hex Bolt



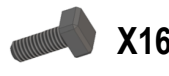
M8 Large Flat
Washer



M8 Lock Washer



M8 Hex Nut



M6X1-20mm Square
Head Bolt



M6 Large Flat
Washer



M6X1 Nylon
Lock Nut

STEP 1

Starting on the driver side front of the vehicle. Attach Driver Front Mounting Bracket as shown, (Fig 1). Do not fully tighten hardware at this time.

Note: (8) Mounting Brackets are universal.

STEP 2

Move to Driver side other 3 mounting locations. Repeat **Step 1** to install the Mounting Brackets. Do not fully tighten hardware at this time.

EXISTING INSERT IN BODY PANEL

Front

Models with factory bolt:
(1) M8 Large Flat Washer
(1) M8 Lock Washer
(1) M8 Hex Bolt

Models without factory bolt:
(1) M8X1.25-20mm Hex Bolt
(1) M8 Lock Washer
(1) M8 Large Flat Washer

(1) M8X1.25-20mm Hex Bolt
(2) M8 Large Flat Washers
(1) M8 Lock Washer
(1) M8 Hex Bolt

(Fig 1) Driver Front Mounting Bracket Installation

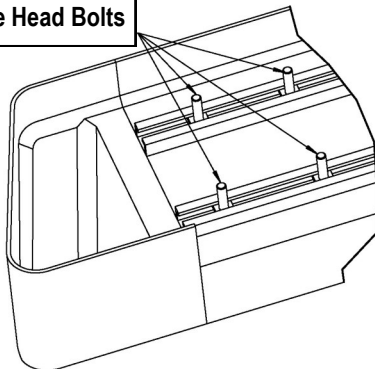
iBoard®

STEP 3

Select a Running Board. Slip (4) M6x1-20mm Square Head Bolts into each bottom channel (**Fig 2**). Carefully position the Running Board onto the (4) Mounting Brackets.

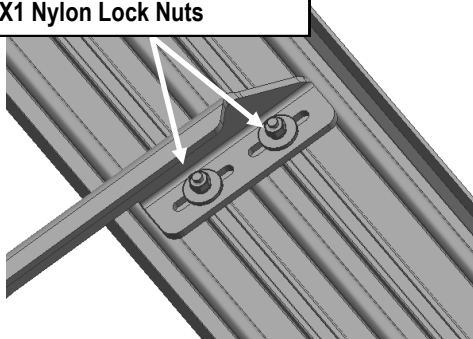
IMPORTANT: Do not slide the Running Board on the Brackets or the bottom surface of the board will be damaged. Attach the Running Board to each Mounting Bracket with (2) M6x1-20mm Square Head Bolts, (2) M6 Large Flat Washers and (2) M6 X1 Nylon Lock Nuts (**Fig 3**). Do not fully tighten at this time.

M6X1-20mm Square Head Bolts



(Fig 2) Slip M6X1-20mm Square Head Bolts Into The Bottom Channels

(2) M6X1-20mm Square Head Bolts
(2) M6 Large Flat Washers
(2) M6X1 Nylon Lock Nuts



(Fig 3) Running Board Installed Onto Mounting Bracket

STEP 4

Level and adjust the Running Board and fully tighten all hardware.

Important: Please follow the recommended Tightening Torques shown in the table on page 1. Don't over tighten, or the nuts/bolts will be damaged.

STEP 5

Repeat **Steps 1-4** for the other side Running Board installation. The installation is completed (**Fig 4**).



(Fig 4) Installation Completed

Attention

Do periodic inspections to the installation to make sure that all hardware is secure and tight.

In order to protect your bars/boards, please use only mild soap/non-abrasive products for cleaning.