

iBoard®



Scan for
Installation Video

iBoard® by APS

PART#: IB-P007Y&H

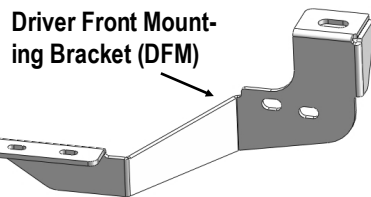
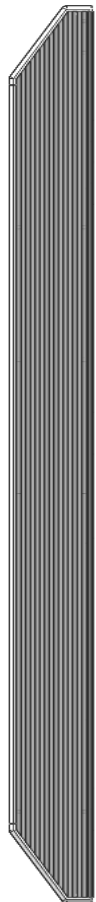
READ INSTRUCTIONS CAREFULLY BEFORE STARTING INSTALLATION. REMOVE CONTENTS FROM BOX AND VERIFY ALL PARTS ARE PRESENT. ASSISTANCE IS RECOMMENDED.

*BODY FRAME MOUNT
*NO DRILLING REQUIRED

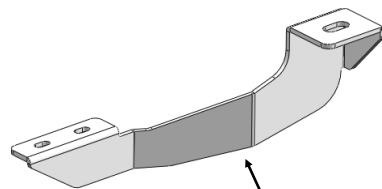
Fastener Size	Tightening Torque (ft-lbs)	Required
6mm	6-7	X
8mm	16-18	√
10mm	31-32	√
12mm	56-58	X
14mm	92-94	X

PART LIST

Driver Side Step Bar



Driver Front Support Bracket (DFS)

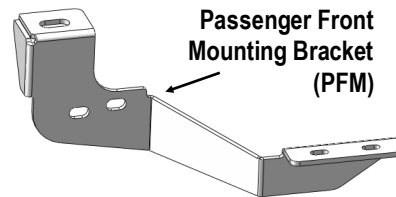
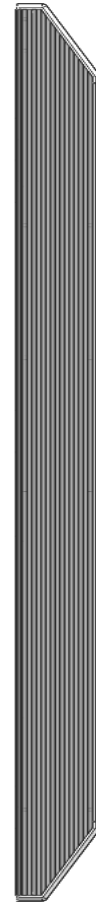


Driver Rear Mounting Bracket (DRM)

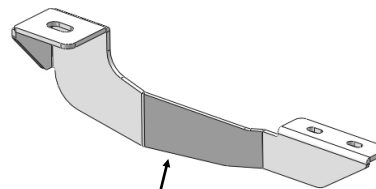
Front



Passenger Side Step Bar



Passenger Front Support Bracket (PFS)




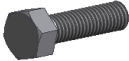


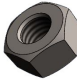
Passenger Rear Mounting Bracket (PRM)

Customer Support: info@iboardauto.com

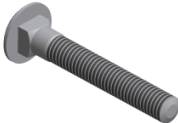


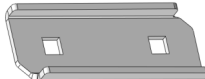


Scan for
Installation Video

Hardware Package A (For Bracket Installation)					
Item	QTY	Description	Item	QTY	Description
1#	2	M10 Nut Plate	4#	4	M10 Lock Washer
2#	4	M10X1.5-30mm Hex Bolt	5#	2	M10X1.5 Hex Nut
3#	6	M10 Flat Washer			

				
1 #	2 #	3 #	4 #	5 #

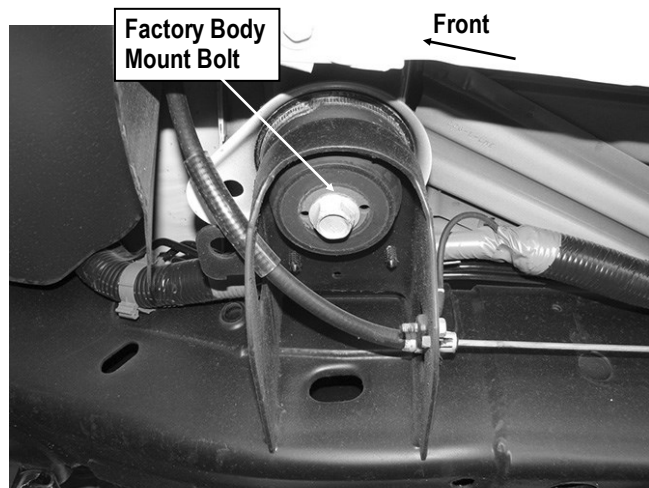
Hardware Package B (For Step Bar Installation)					
Item	QTY	Description	Item	QTY	Description
1#	8	M8X1.25-35mm Carriage Bolts	3#	8	M8 Nylon Lock Nuts
2#	8	M8 Large Flat Washers	4#	4	Sliders (Packed with Mounting Brackets)

			
1 #	2 #	3 #	4 #



STEP 1

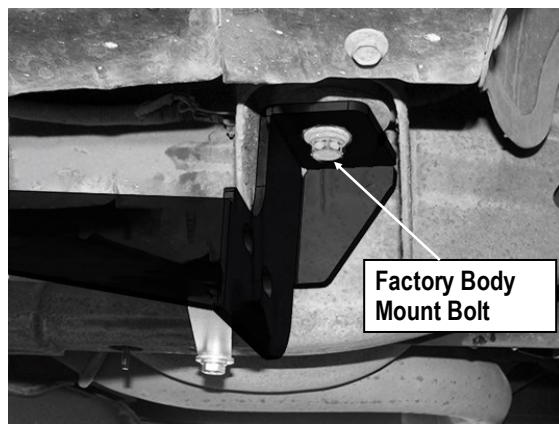
Start the installation under the Passenger side front of the vehicle. Remove the front body mount bolt, (Fig 1). Do not remove rubber bushings.



(Fig 1) Passenger Side Front Mounting Location

STEP 2

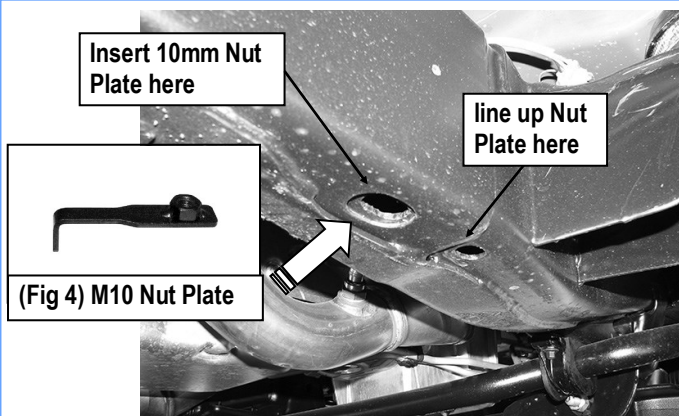
Attach the Passenger Front Mounting Bracket (PFM) to the body mount reusing the factory hex bolt, (Fig 2). Do not fully tighten hardware at this time.



(Fig 2) Passenger Front Mounting Bracket (PFM) Installed

STEP 3

Locate the two factory holes at the bottom of the frame beside the passenger side front body mount, (Fig 3). Insert (1) M10 Nut Plate, (Fig 4), into the oval hole and line up the threaded nut with the round hole.



(Fig 3) Passenger Side Front Support Bracket Mounting Location

STEP 4

Attach the flat end of the Passenger Front Support Bracket (PFS) to the installed M10 Nut Plate with (1) M10X1.5-30mm Hex Bolt, (1) M10 Flat Washer and (1) M10 Lock Washer, (Fig 5 & 6). Do not fully tighten hardware at this time.

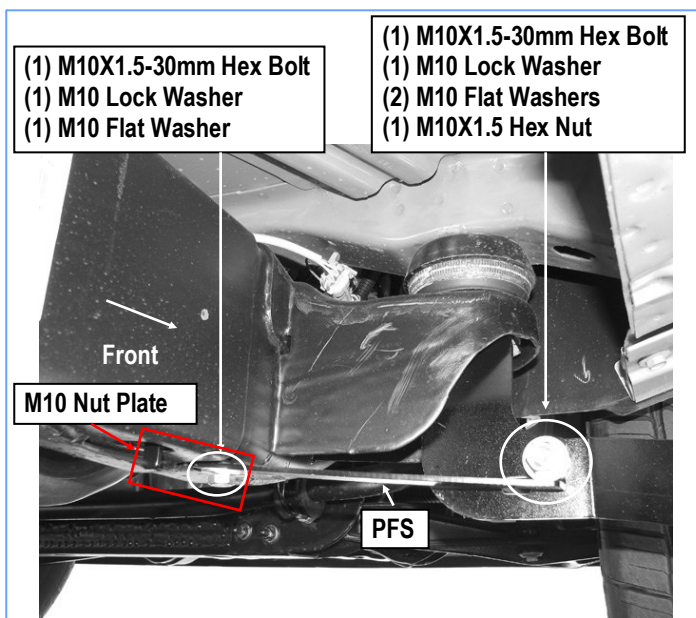
Up to 2007 2500/3500 Models:

Note that the Front Support Bracket will not reach up to the Mounting Bracket, (Fig 6). Tighten the Support Bracket to the M10 Nut Plate in the frame. Carefully push up on the Support Bracket until it reaches the inside hole in the Mounting Bracket. Bolt the Support Bracket to the hole in the Mounting Bracket with (1) M10X1.5-30mm Hex Bolt, (2) M10 Flat Washers, (1) M10 Lock Washer and (1) M10X1.5 Hex Nut, (Figs 5&7). Do not fully tighten hardware at this time.

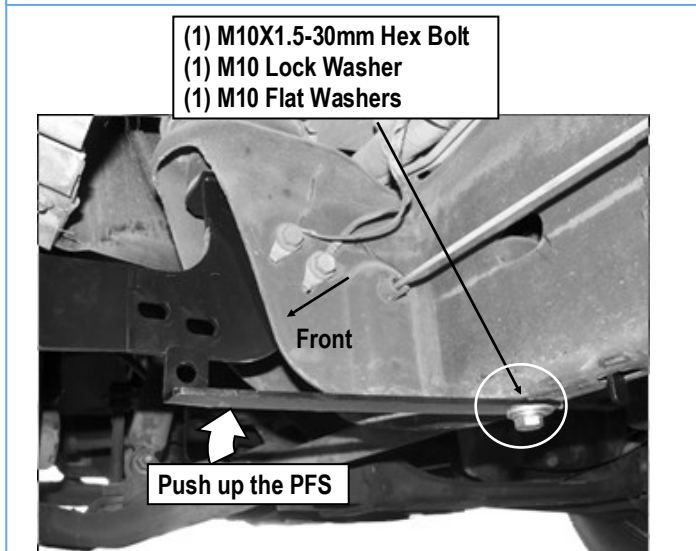
NOTE: Bend Support Bracket up by hand to meet the inner hole in the Front Mounting Bracket.



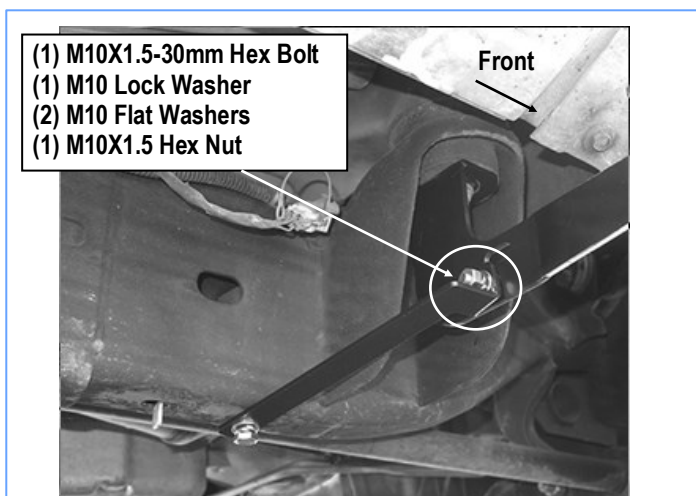
Scan for
Installation Video



(Fig 5) Passenger Front Support Bracket (PFS) Installation
(For 1500 Models)



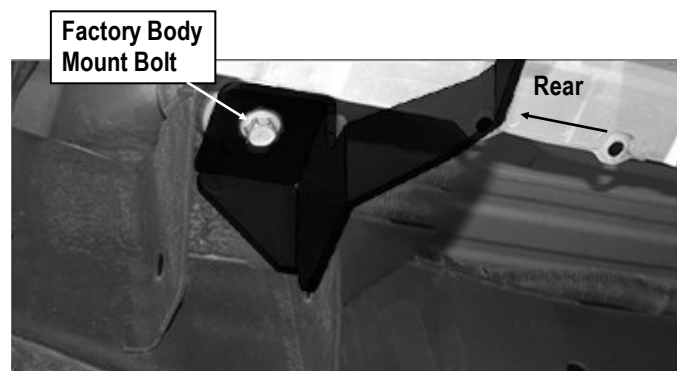
(Fig 6) Passenger Front Support Bracket Installation
(For Up to 2007 2500/3500 Models)



(Fig 7) Passenger Front Support Bracket Installation
(For Up to 2007 2500/3500 Models)

STEP 5

Move to the Passenger Side Rear body mount. Repeat **Steps 1 –2** to attach the Passenger Rear Mounting Bracket to the body mount, (Fig 8). Do not fully tighten hardware at this time.



(Fig 8) Passenger Rear Mounting Bracket (PRM) Installation



STEP 6

Once all (2) Passenger side mounting brackets are installed, then proceed to the Step Bar installation. (**Figs 9 & 10**)

- (1) Select (1) Slider and (2) M8X1.25-35mm Carriage Bolts;
- (2) Install (2) M8X1.25-35mm Carriage Bolts in (1) Slider.
- (3) Slide the Slider (with carriage bolts) to the **Step Bar**.
- (4) Repeat to install the other (1) slider to the step bar.
- (5) Attach the Step Bar (with the Sliders) onto the installed mounting brackets. Position the Sliders to the installed brackets. Secure the Step Bar to the installed Brackets by using (4) M8 Large Flat Washers and (4) M8 Nylon Lock Nuts and (2) Sliders, (**Fig 10**). Do not fully tighten hardware at this time.

Note: The Sliders are packed with the Mounting Brackets.

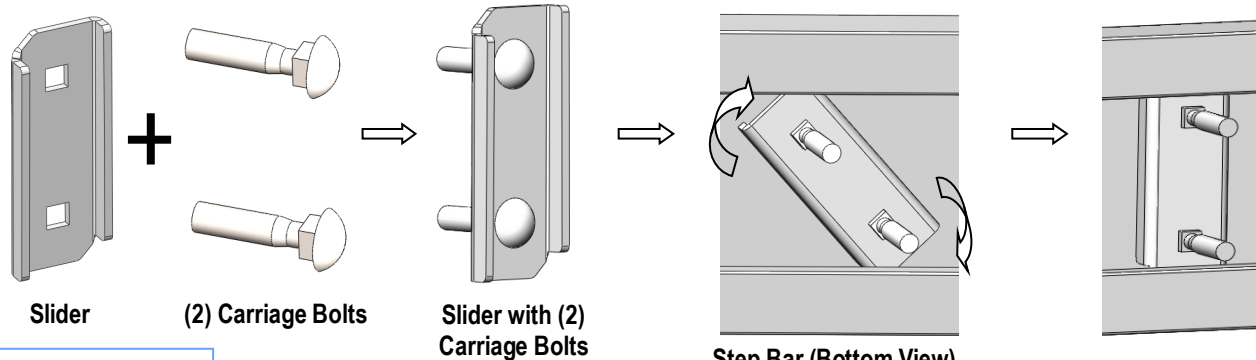
Level and adjust the Step Bar and fully tighten all hardware.

Repeat **Steps 1-6** for the other side Step Bar installation. **The installation is completed!!!**

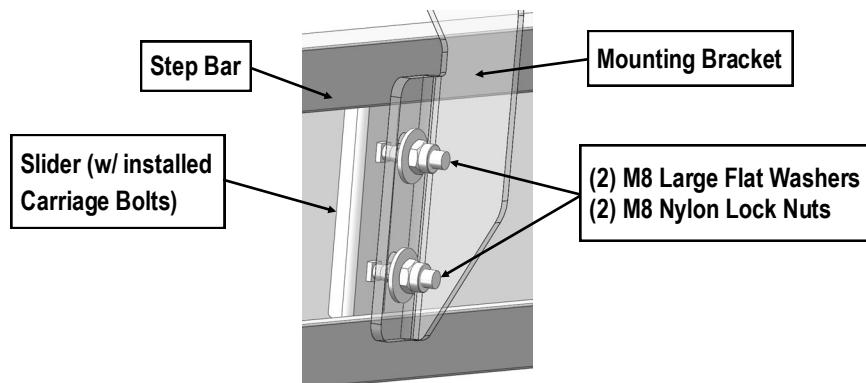
Attention

Do periodic inspections to the installation to make sure that all hardware is secure and tight.

In order to protect your bars/boards, please use mild soap/non-abrasive products for cleaning only.



(Fig 9) Slider Installation



(Fig 10) Step Bar Installation