



PART#: IB-P020Y&H

iBoard® Series

READ INSTRUCTIONS CAREFULLY BEFORE START ING INSTALLATION. REMOVE CONTENTS FROM BOX AND VERIFY ALL PARTS ARE PRESENT. ASSISTANCE IS RECOMMENDED.

*ROCKER PANEL MOUNT
*NO DRILLING REQUIRED

Fastener Size	Tightening Torque (ft-lbs)	Required
6mm	6-7	X
8mm	16-18	√
10mm	31-32	√
12mm	56-58	X
14mm	92-94	X

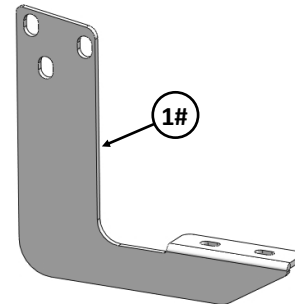
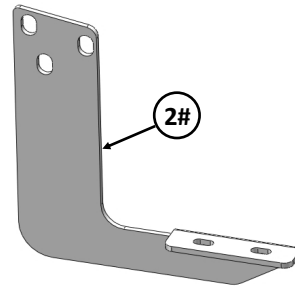
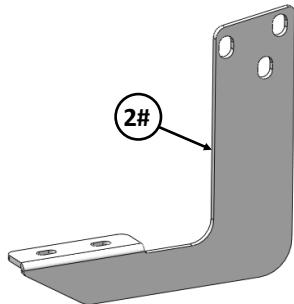
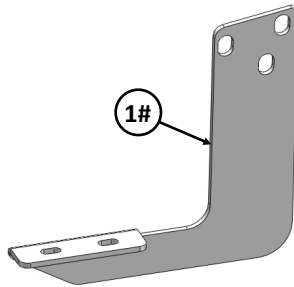
PART LIST

Driver Side Step Bar

Front



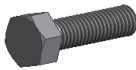


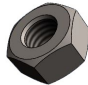
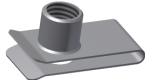
Passenger Side Step Bar



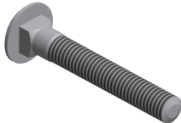





Scan for
Installation Video

Hardware Package A (For Bracket Installation)					
Item	QTY	Description	Item	QTY	Description
1#	2	Driver Front/ Passenger Rear Mounting Brackets	5#	4	M10 Lock Washers
2#	2	Driver Rear/ Passenger Front Mounting Brackets	6#	4	M10 Hex Nuts
3#	8	M10X1.5-25mm Hex Bolts	7#	4	M10 Clip Nuts
4#	12	M10 Flat Washers			

				
3 #	4 #	5 #	6 #	7 #

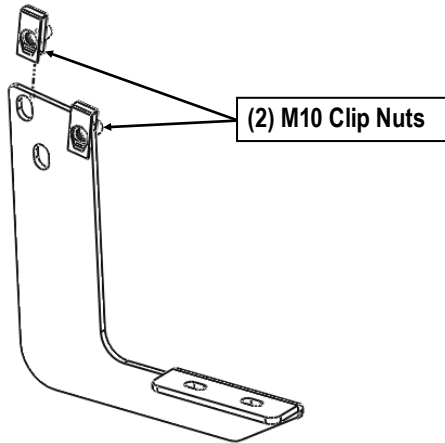
Hardware Package B (For Step Bar Installation)					
Item	QTY	Description	Item	QTY	Description
1#	8	M8X1.25-35mm Carriage Bolts	3#	8	M8 Nylon Lock Nuts
2#	8	M8 Large Flat Washers	4#	4	Sliders (Packed with Mounting Brackets)

			
1 #	2 #	3 #	4 #



STEP 1

Starting from the Passenger side front of the vehicle. Insert M10 Clip Nuts in 2 of the mount brackets as shown, (Fig 1).

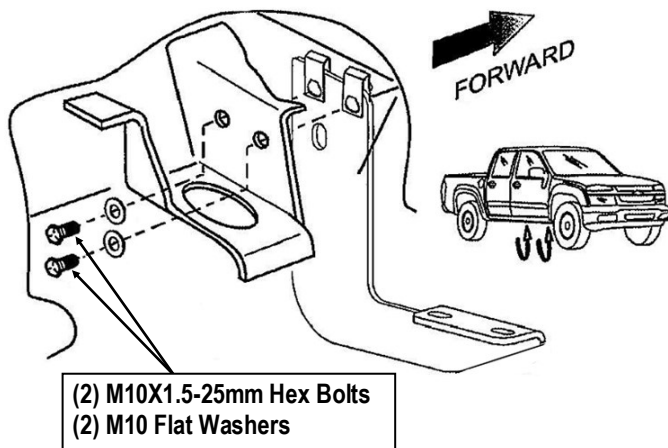


(Fig 1) Insert M10 Clip Nuts In 2 Of The Mount Brackets

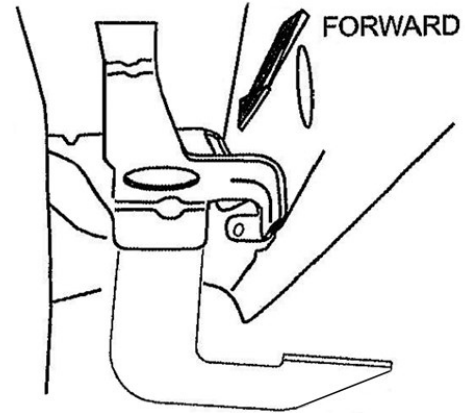
STEP 2

Attach (1) Passenger Front Mounting Bracket to the Passenger side front of the vehicle with (2) M10X1.5-25mm Hex Bolts and (2) M10 Flat Washers, (Figs 2 & 3). Do not fully tighten hardware at this time.

Note: Passenger Front Mounting Bracket and Driver Rear Mounting Brackets are Universal.



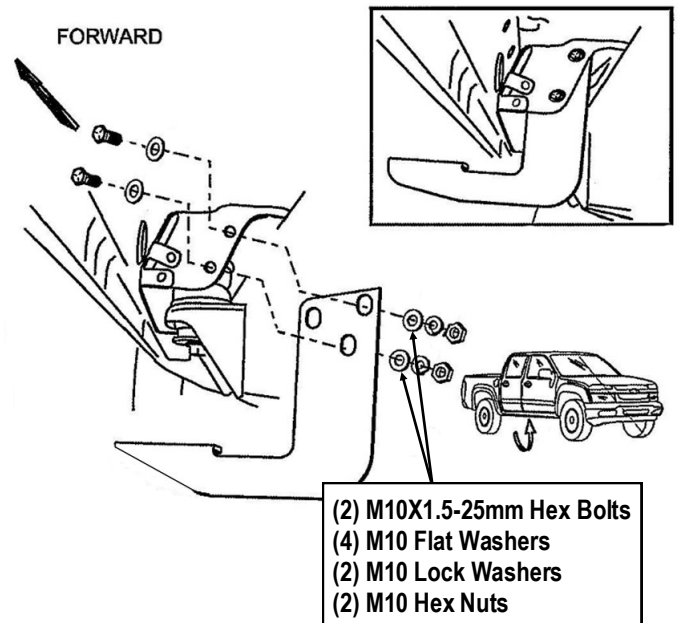
(Fig 2) Passenger Side Front Mounting Bracket Installation



(Fig 3) Passenger Side Front Mounting Bracket Installation

STEP 3

Move to the Passenger side rear of the vehicle, attach (1) Mounting Bracket with (2) M10X1.5-25mm Hex Bolts, (4) M10 Flat Washers, (2) M10 Lock Washers and (2) M10 Hex Nuts, (Fig 4). Do not fully tighten hardware at this time.



(Fig 4) Passenger Side Rear Mounting Bracket Installation



STEP 4

Once all (2) Passenger side mounting brackets are installed, then proceed to the Step Bar installation. **(Figs 5 & 6)**

- (1) Select (1) Slider and (2) M8X1.25-35mm Carriage Bolts;
- (2) Install (2) M8X1.25-35mm Carriage Bolts in (1) Slider.
- (3) Slide the Slider (with carriage bolts) to the **Step Bar**.
- (4) Repeat to install the other (1) slider to the step bar.
- (5) Attach the Step Bar (with the Sliders) onto the installed mounting brackets. Position the Sliders to the installed brackets. Secure the Step Bar to the installed Brackets by using (4) M8 Large Flat Washers and (4) M8 Nylon Lock Nuts and (2) Sliders, **(Fig 6)**. Do not fully tighten hardware at this time.

Note: The Sliders are packed with the Mounting Brackets.

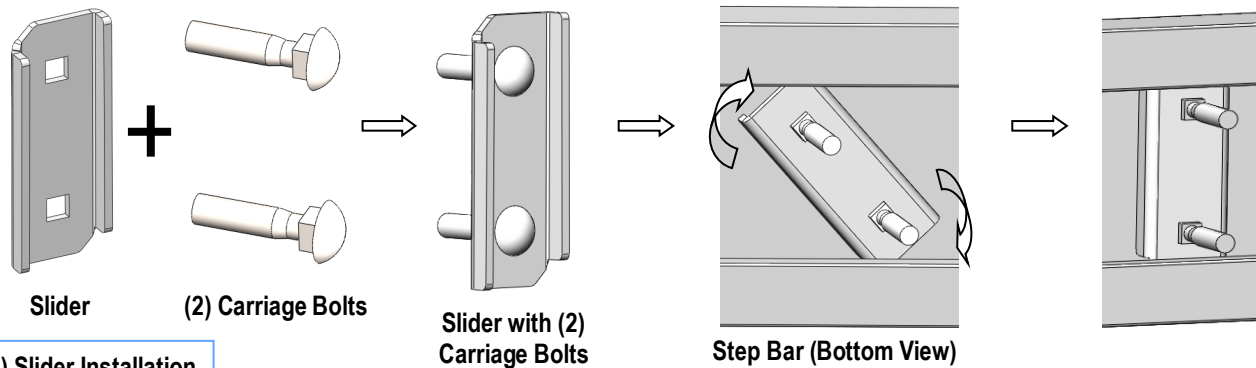
Level and adjust the Step Bar and fully tighten all hardware.

Repeat **Steps 1-4** for the other side Step Bar installation. **The installation is completed!!!**

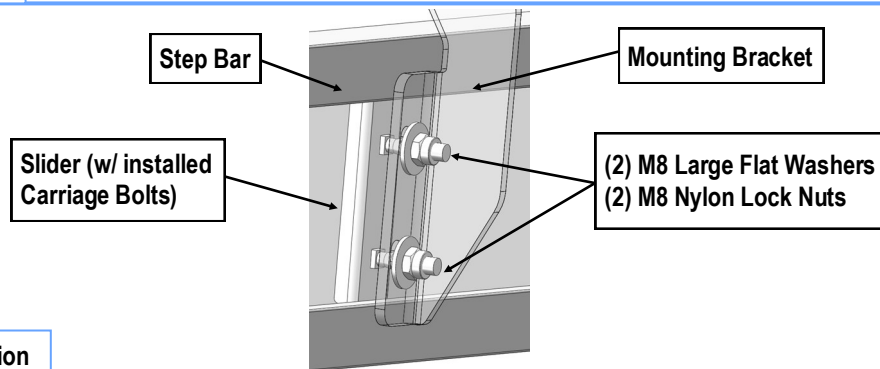
Attention

Do periodic inspections to the installation to make sure that all hardware is secure and tight.

In order to protect your bars/boards, please use mild soap/non-abrasive products for cleaning only.



(Fig 5) Slider Installation



(Fig 6) Step Bar Installation