



PART#: IB-P969Y&H

iBoard® Series

READ INSTRUCTIONS CAREFULLY BEFORE STARTING INSTALLATION. REMOVE CONTENTS FROM BOX AND VERIFY ALL PARTS ARE PRESENT. ASSISTANCE IS RECOMMENDED.

Fastener Size	Tightening Torque (ft-lbs)	Required
6mm	6-7	X
8mm	16-18	√
10mm	31-32	√
12mm	56-58	X
14mm	92-94	X

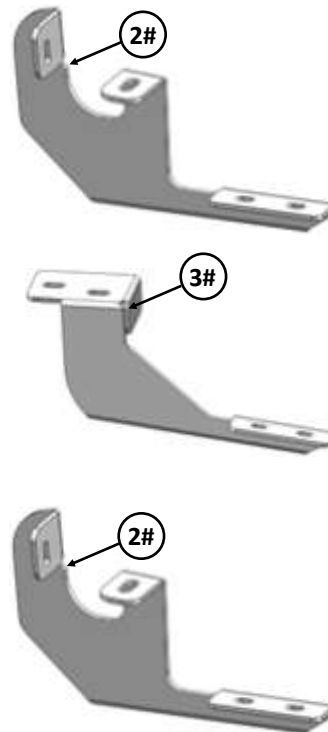
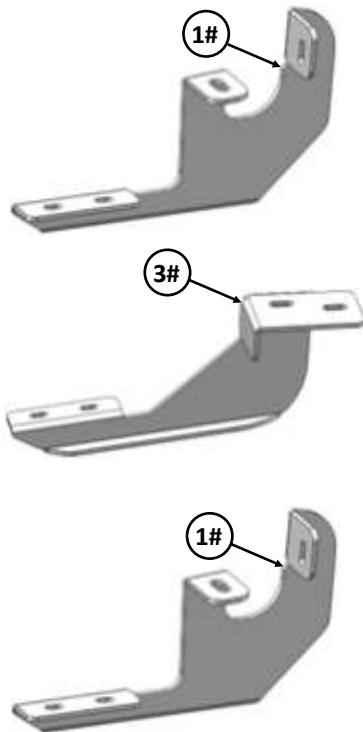
*ROCKER PANEL MOUNT
*NO DRILLING REQUIRED

PART LIST

Driver Side Step Bar

Front
↑

Passenger Side Step Bar





Scan for
Installation Video

Hardware Package A (For Bracket Installation)					
Item	QTY	Description	Item	QTY	Description
1#	2	Driver Front / Rear Mounting Brackets	8#	8	M10 Large Flat Washers
2#	2	Passenger Front / Rear Mounting Brackets	9#	8	M10 Lock Washers
3#	2	Driver & Passenger Front / Rear Mounting Brackets	10#	4	M10 Hex Nuts
4#	2	M10 Double Nut Plates	11#	4	M8X1.25-30mm Hex Bolts
5#	4	M10 Bolt / M8 Nut Plates	12#	4	M8 Large Flat Washers
6#	4	M10 Plastic Washers	13#	4	M8 Lock Washers
7#	4	M10X1.5-35mm Hex Bolts			


4 #


5 #


6 #


7 #


8 #


9 #



10 #



11 #



12 #



13 #

Hardware Package B (For Step Bar Installation)					
Item	QTY	Description	Item	QTY	Description
1#	12	M8X1.25-35mm Carriage Bolts	3#	12	M8 Nylon Lock Nuts
2#	12	M8 Large Flat Washers	4#	6	Sliders (Packed with Mounting Brackets)


1 #


2 #

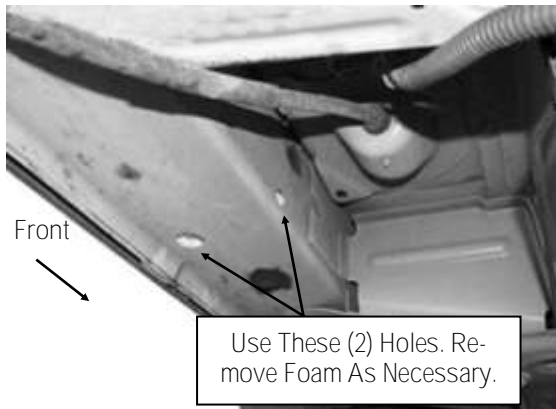

3 #


4 #

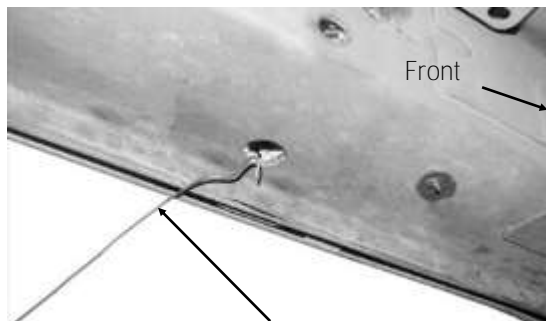


STEP 1

Start installation from the driver side front of the vehicle. Locate the factory holes in the bottom and inside of the floor panel towards the front tire opening, (Fig 1). **IMPORTANT:** On some vehicles, the body panel may be filled with expanding foam insulation. Use a long flat blade screwdriver or heavy wire, (coat hanger for example), to dig out the foam to provide clearance for the M10 Bolt / M8 Nut Plates, (Fig 2).



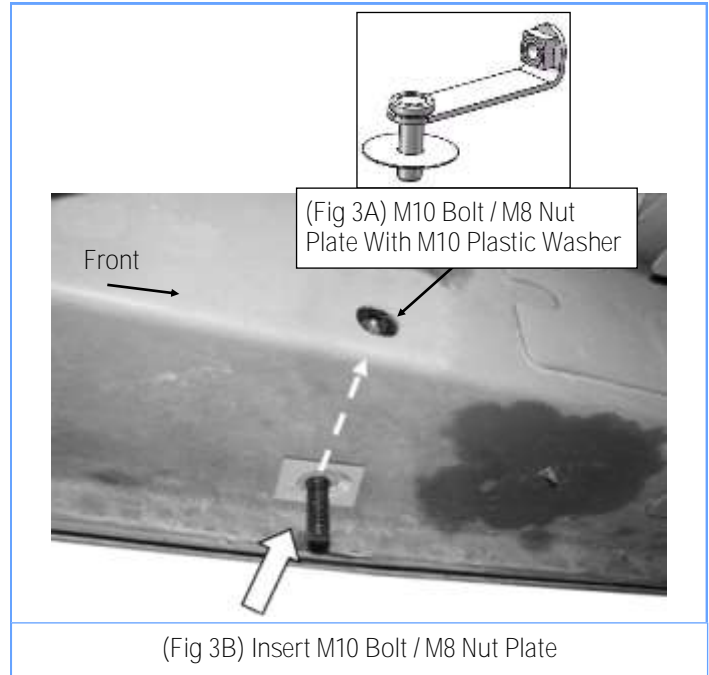
(Fig 1) Driver Side Front Mounting Location



(Fig 2) Use Wire To Pull Foam Floor Panel

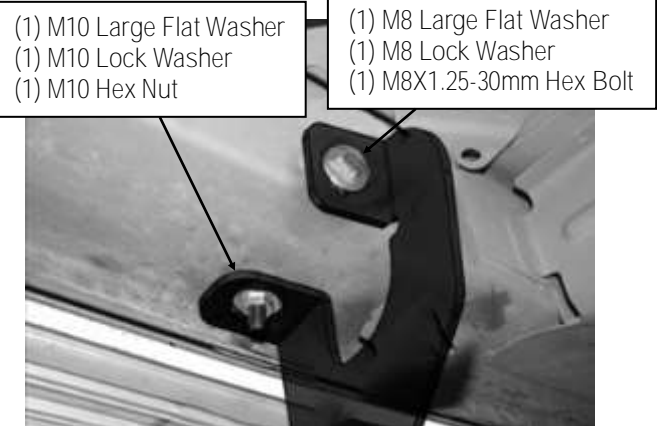
STEP 2

Select (1) M10 Bolt / M8 Nut Plate, (Fig 3A). Insert the bent end with the M8 Nut into the hole in the bottom of the floor panel, (Fig 3B). Line up the Hex Nut with the hole in the side of the floor panel. Thread (1) M10 Plastic Washer onto the M10 Bolt end of the Bolt/Nut Plate, (Fig 3B). **NOTE:** The M10 Plastic Washer is provided to help hold the Bolt/Nut Plate in position during Bracket installation.



STEP 3

Select (1) Driver Front Mounting Bracket. Position the Bracket up to the vehicle and over the previously installed M10 Bolt / M8 Nut Plate, (Fig 4). Attach the Bracket to the M10 Bolt with (1) M10 Large Flat Washer, (1) M10 Lock Washer and (1) M10 Hex Nut. Attach the Bracket to the M8 Nut with (1) M8X1.25-30mm Hex Bolt, (1) M8 Lock Washer and (1) M8 Large Flat Washer, (Fig 4). Do not fully tighten hardware at this time.



(Fig 4) Driver Side Front Mounting Bracket Installation



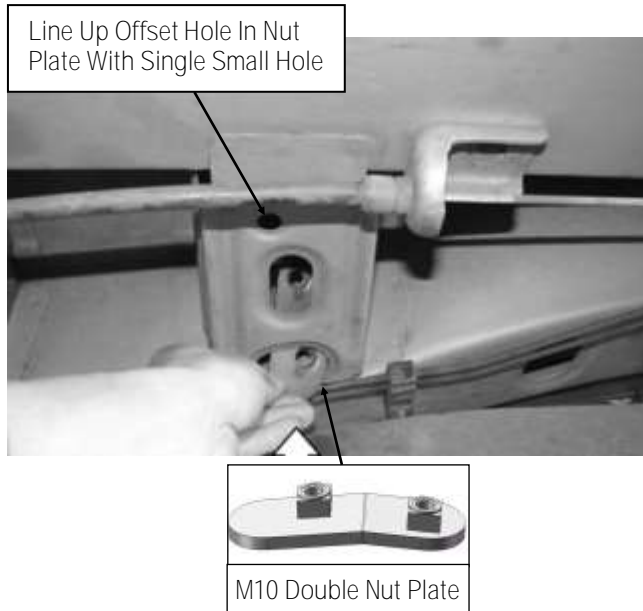
STEP 4

Move to the driver side center of the vehicle, (Fig 5). Select (1) M10 Double Nut Plate, (Fig 6A). Insert the Double Nut Plate into the large hole in the floor panel reinforcement, (Fig 6B). Line up the threaded hole with the single small hole in the reinforcement, (Fig 7).

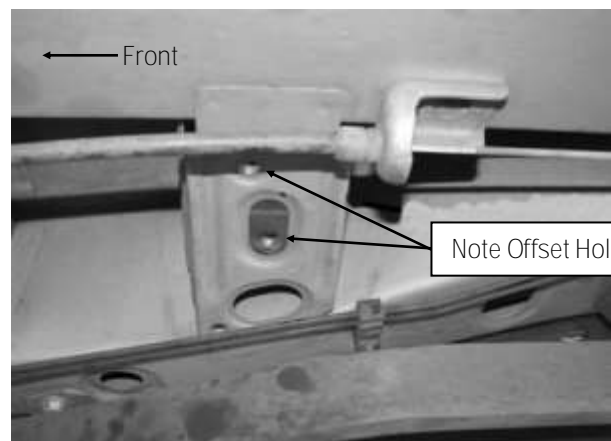
NOTE: The M10 Double Nut Plate is offset to line up with the offset holes in the floor panel reinforcement.



(Fig 5) Driver Side Center Mounting Location



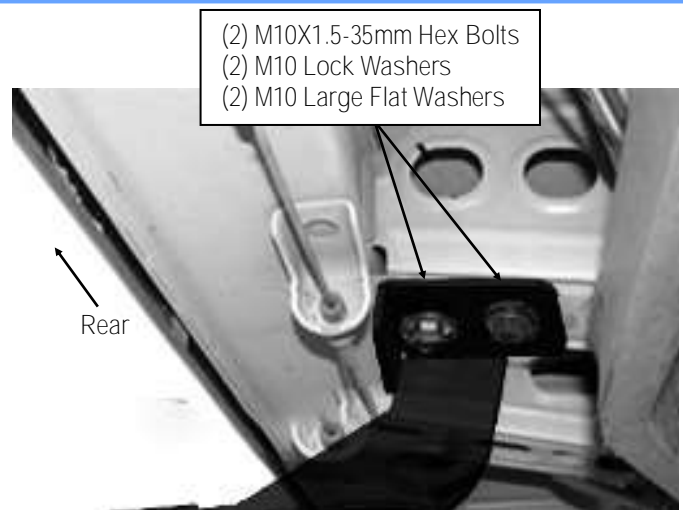
(Fig 6) Insert The M10 Double Nut Plate



(Fig 7) Driver Side Center Mounting Location

STEP 5

Select (1) Driver Center Mounting Bracket. NOTE: There is no left or right to the center Bracket, they will fit either side. Line up the (2) holes in the Center Bracket with the Double Nut Plate. Bolt the Bracket to the Double Nut Plate with (2) M10X1.5-35mm Hex Bolts, (2) M10 Lock Washers and (2) M10 Large Flat Washers, (Fig 8). Do not fully tighten at this time.



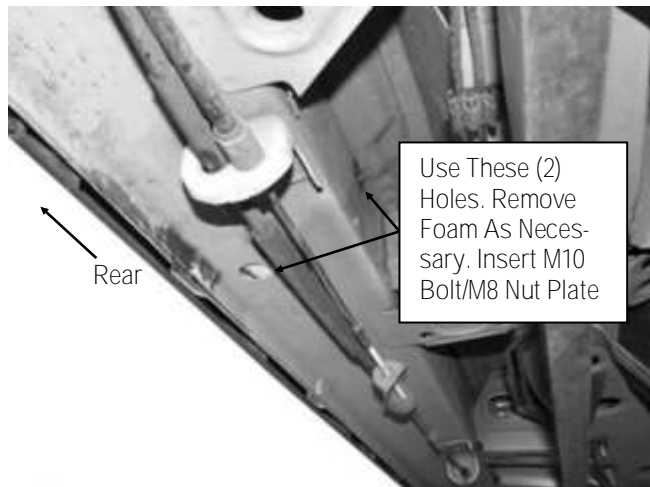
(Fig 8) Driver Side Center Mounting Bracket Installation



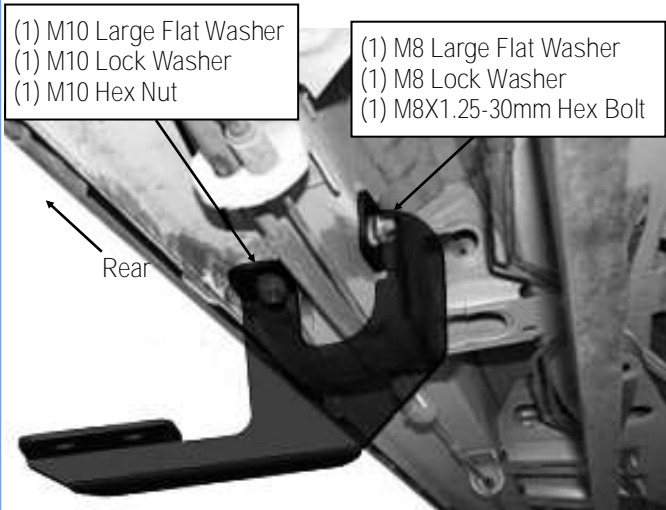
STEP 6

Continue move to the driver side rear of the vehicle, (Fig 9). Locate the round hole in the bottom of the floor panel as described in Step 1. Repeat Steps 1 – 3 to install the remaining driver side Bracket in the rear location, (Fig 10).

Note: Driver Front & Rear Mounting Bracket are universal.



(Fig 9) Driver Side Rear Mounting Location



(Fig 10) Driver Side Rear Mounting Bracket Installation

STEP 7

Once all (3) Driver side mounting brackets are installed, then proceed to the Step Bar installation. (Figs 11 & 12)

(1) Select (1) Slider and (2) M8X1.25-35mm Carriage Bolts;

(2) Install (2) M8X1.25-35mm Carriage Bolts in (1) Slider.

(3) Slide the Slider (with carriage bolts) to the Step Bar.

(4) Repeat to install the other (2) sliders to the step bar.

(5) Attach the Step Bar (with the Sliders) onto the installed mounting brackets. Position the Sliders to the installed brackets. Secure the Step Bar to the installed Brackets by using (6) M8 Large Flat Washers and (6) M8 Nylon Lock Nuts and (3) Sliders, (Fig 12). Do not fully tighten hardware at this time.

Note: The Sliders are packed with the Mounting Brackets.

Level and adjust the Step Bar and fully tighten all hardware.

Repeat Steps 1-7 for the other side Step Bar installation. The installation is completed!!!

Attention

Do periodic inspections to the installation to make sure that all hardware is secure and tight.

In order to protect your bars/boards, please use mild soap/non-abrasive products for cleaning only.

