



**PART#: IB-P333Y&H**

# iBoard® Series

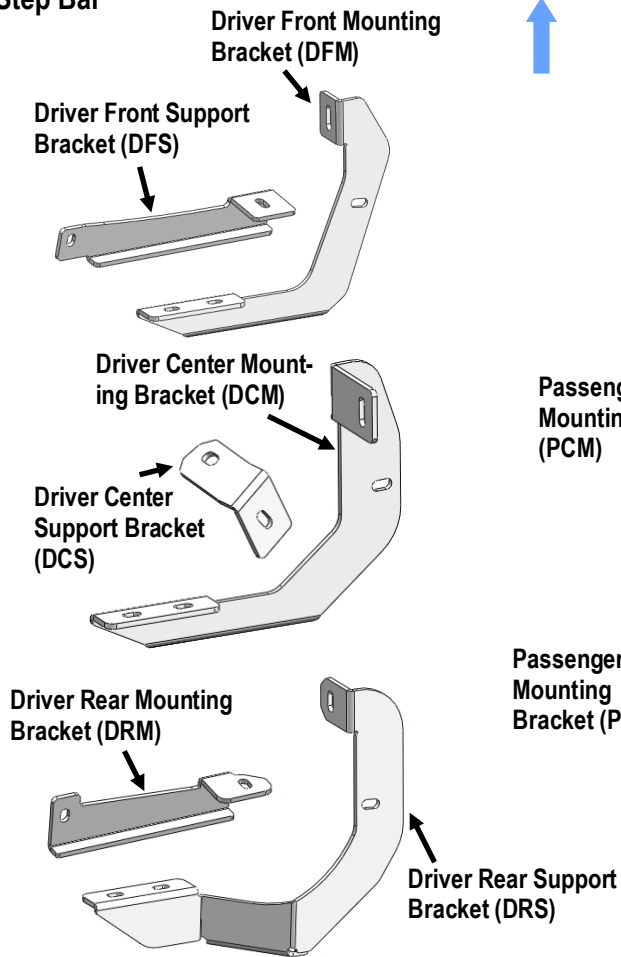
READ INSTRUCTIONS CAREFULLY BEFORE STARTING INSTALLATION. REMOVE CONTENTS FROM BOX AND VERIFY ALL PARTS ARE PRESENT. ASSISTANCE IS RECOMMENDED.

\*ROCKER PANEL MOUNT  
\*DRILLING MAY BE REQUIRED

Fastener Size	Tightening Torque (ft-lbs)	Required
6mm	6-7	X
8mm	16-18	√
10mm	31-32	√
12mm	56-58	X
14mm	92-94	X

## PART LIST

### Driver Side Step Bar

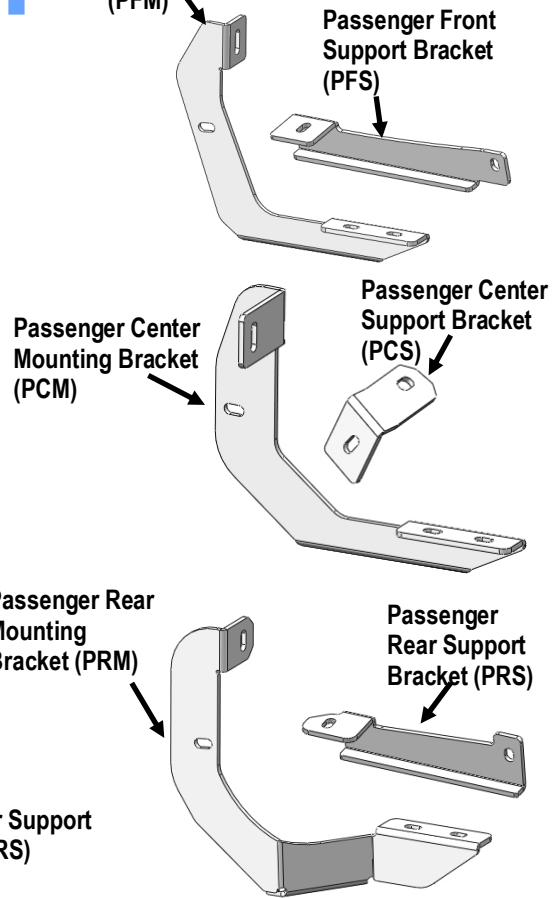
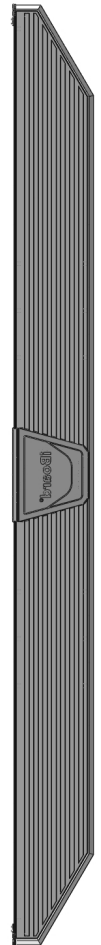


### Front




### Passenger Front Mounting Bracket (PFM)


### Passenger Side Step Bar








Hardware Package A (For Bracket Installation)					
Item	QTY	Description	Item	QTY	Description
1#	2	Spacers	7#	2	M10 Lock Washers
2#	10	M8X35 Bolt Plates	8#	2	M10 Hex Nuts
3#	10	M8 Plastic Washers	9#	6	M8X1.25-30mm Hex Bolts
4#	2	M10 Plastic Washers	10#	22	M8 Large Flat Washers
5#	2	M10X35 J-Bolts	11#	16	M8 Lock Washers
6#	2	M10 Flat Washers	12#	16	M8 Hex Nuts


  
1#


  
2#

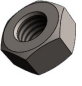
  
3#

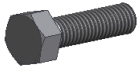
  
4#


  
5#


  
6#


  
7#

  
8#

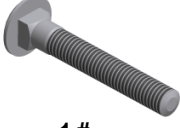
  
9#


  
10#


  
11#

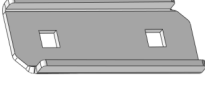
  
12#

Hardware Package B (For Step Bar Installation)					
Item	QTY	Description	Item	QTY	Description
1#	12	M8X1.25-35mm Carriage Bolts	3#	12	M8 Nylon Lock Nuts
2#	12	M8 Large Flat Washers	4#	6	Sliders (Packed with Mounting Brackets)

  
1 #

  
2 #

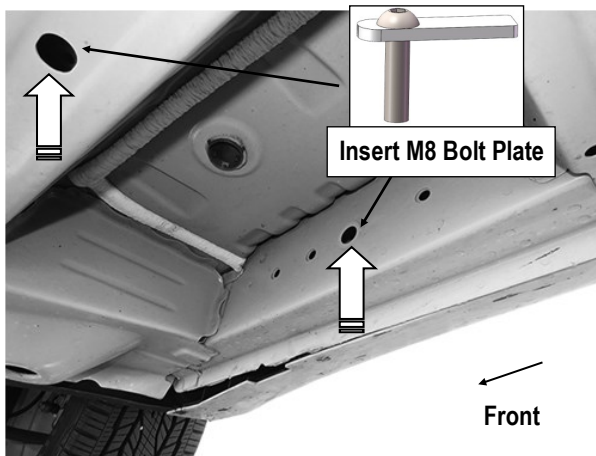
  
3 #

  
4 #



## STEP 1

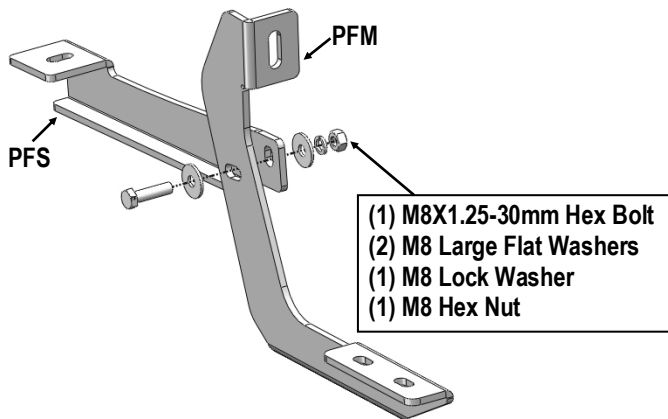
Start installation from the Passenger side front of the vehicle, (Fig 1). Remove the rubber plug from the inner body panel.



(Fig 1) Passenger Side Front Mounting Location

## STEP 2

Assemble Passenger Front Mounting Bracket and Passenger Front Support Bracket with (1) M8X1.25-30mm Hex Bolt, (2) M8 Large Flat Washers, (1) M8 Lock Washer and (1) M8 Hex Nut, (Fig 2). Do not fully tighten hardware at this time.



(Fig 2) Passenger Front Mounting Bracket and Passenger Front Support Bracket Assembly

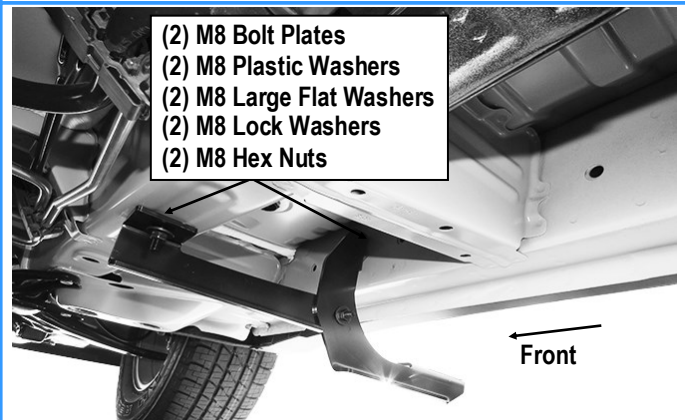
## STEP 3

Select (2) M8 Bolt Plates. Thread (1) M8 Plastic Washer onto the each M8 Bolt Plate. Insert the M8 Bolt Plate into the front mounting location, (Fig 1).

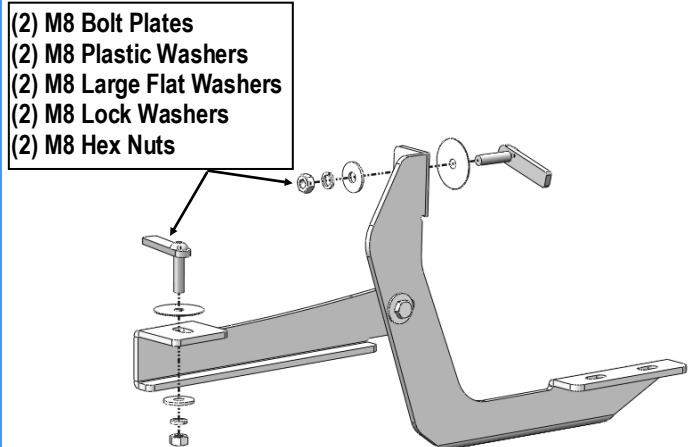
**NOTE:** The Plastic Washer is designed to help hold the Bolt Plate in place and to prevent the Bolt Plate from falling into the body panel during installation.

## STEP 4

Select the assembled passenger front brackets. Attach the brackets to the M8 Bolt Plate with (2) M8 Large Flat Washers, (2) M8 Lock Washers and (2) M8 Hex Nuts, (Fig 3 & 4). Do not fully tighten hardware at this time.



(Fig 3) Passenger Side Front Brackets Installed



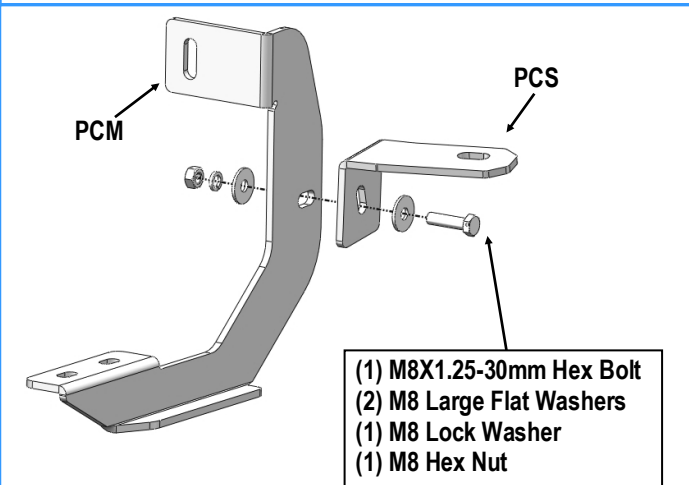
(Fig 4) Passenger Side Front Brackets Installed



## STEP 5

Move to the passenger side center mounting location, (Fig 6). Remove the rubber plug from the inner body panel.

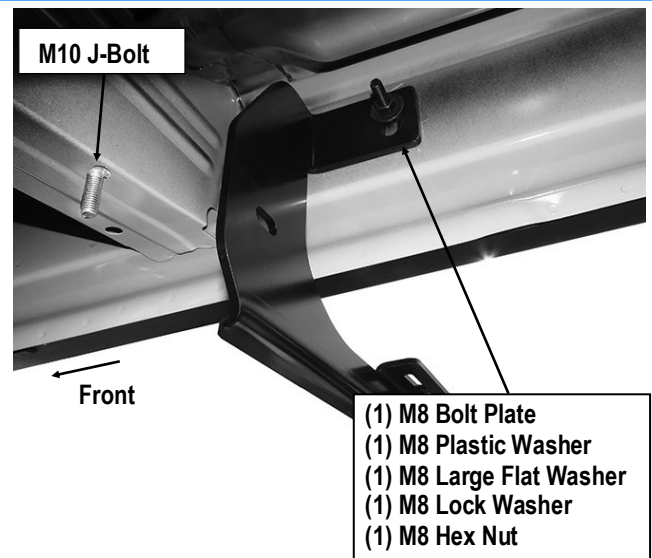
Assemble Passenger Center Mounting Bracket and Passenger Center Support Bracket with (1) M8X1.25-30mm Hex Bolt, (2) M8 Large Flat Washers, (1) M8 Lock Washer and (1) M8 Hex Nut, (Fig 5). Do not fully tighten hardware at this time.



(Fig 5) Passenger Center Mounting Bracket and Passenger Center Support Bracket Assembly

## STEP 6

Insert (1) M8 Bolt Plate with (1) M8 Plastic Washer into the hole in the body panel. Repeat **Steps 3-4** to attach the Passenger Center Mounting Bracket to (1) M8 Bolt Plate, (Figs 7 & 8). Do not fully tighten hardware at this time.

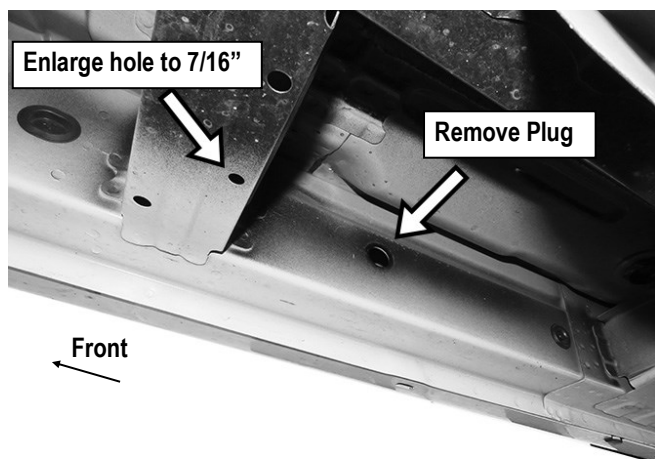


(Fig 7) Passenger Center Mounting Bracket (PCM) Installed

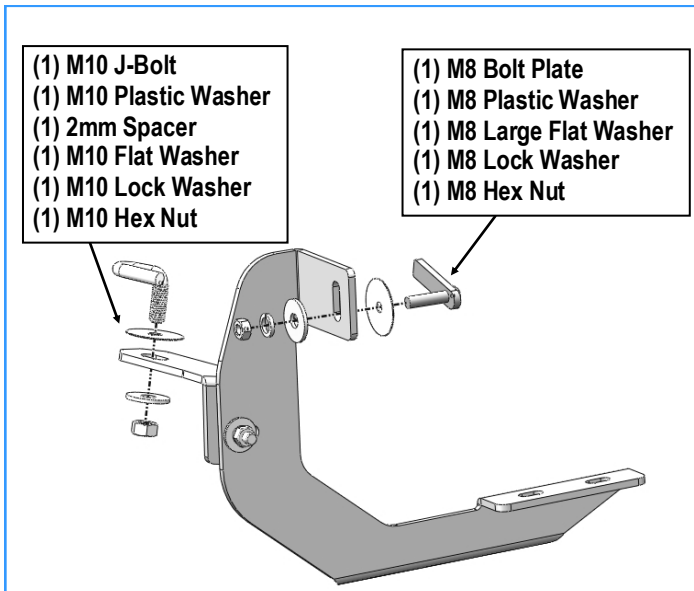
## STEP 7

Hold the Passenger Center Support Bracket up in position to determine the mounting hole on the bottom of the body panel reinforcement. Insert (1) M10 J-Bolt into the mounting hole. If necessary, use a 7/16" drill bit (not included) to enlarge the hole, (Fig 6).

Select (1) M10 Plastic Washer. Thread the M10 Plastic Washer onto the M10 J-Bolt to hold it in place. Attach the Passenger Center Support Bracket to the installed M10 J-Bolt with (1) 2mm Spacer, (1) M10 Flat Washer, (1) M10 Lock Washer and (1) M10 Hex Nut, (Figs 8 & 9). Do not fully tighten hardware at this time.



(Fig 6) Passenger Side Center Mounting Location



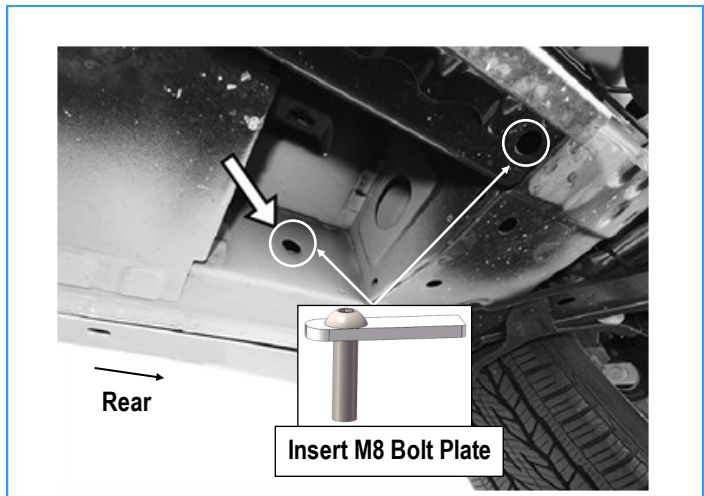
(Fig 8) Passenger Side Center Brackets Installed



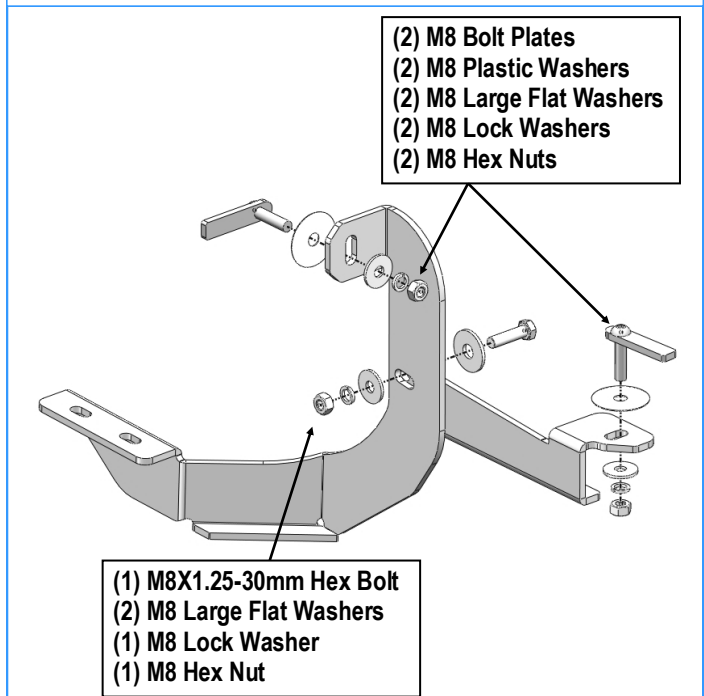
(Fig 9) Passenger Side Center Brackets Installed

## STEP 8

Move to the passenger side rear mounting location, (Fig 10). Repeat **Steps 1-4** to assemble and install the Passenger Rear Mounting Bracket and Passenger Rear Support Bracket, (Fig 11). Do not fully tighten hardware at this time.



(Fig 10) Passenger Side Rear Bracket Mounting Location



(Fig 11) Passenger Side Rear Brackets Installed



## STEP 9

Once all (3) Passenger side mounting brackets are installed, then proceed to the Step Bar installation. **(Figs 12&13)**

- (1) Select (1) Slider and (2) M8X1.25-35mm Carriage Bolts;
- (2) Install (2) M8X1.25-35mm Carriage Bolts in (1) Slider.
- (3) Slide the Slider (with carriage bolts) to the **Step Bar**.
- (4) Repeat to install the other (2) sliders to the step bar.
- (5) Attach the Step Bar (with the Sliders) onto the installed mounting brackets. Position the Sliders to the installed brackets. Secure the Step Bar to the installed Brackets by using (6) M8 Large Flat Washers and (6) M8 Nylon Lock Nuts and (3) Sliders, **(Fig 13)**. Do not fully tighten hardware at this time.

**Note:** The Sliders are packed with the Mounting Brackets.

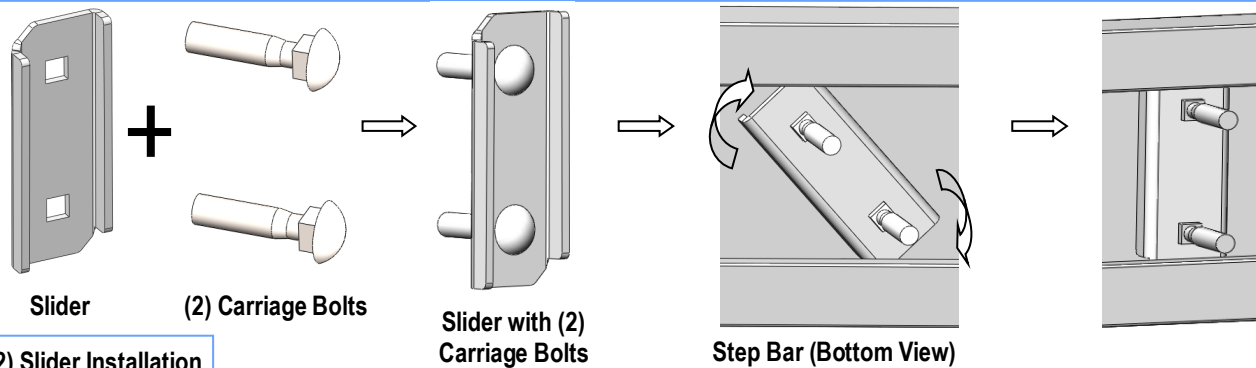
Level and adjust the Step Bar and fully tighten all hardware.

Repeat **Steps 1-9** for the other side Step Bar installation. **The installation is completed!!!**

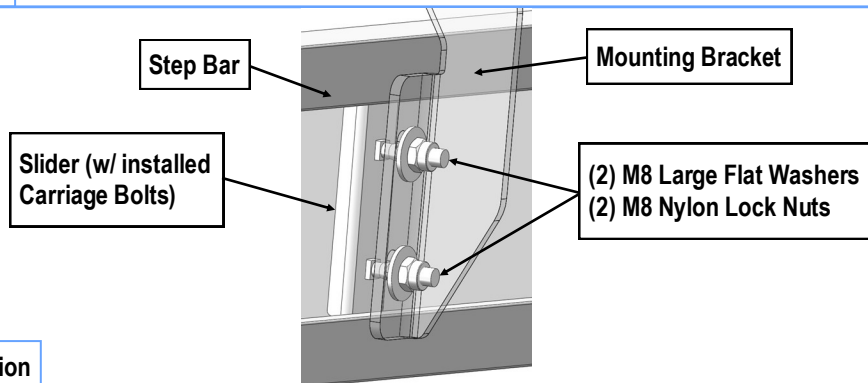
### Attention

**Do periodic inspections to the installation to make sure that all hardware is secure and tight.**

**In order to protect your bars/boards, please use mild soap/non-abrasive products for cleaning only.**



(Fig 12) Slider Installation



(Fig 13) Step Bar Installation