

iBoard®



Scan for
Installation Video

iBoard® by APS

PART#: IB-P296Y&H

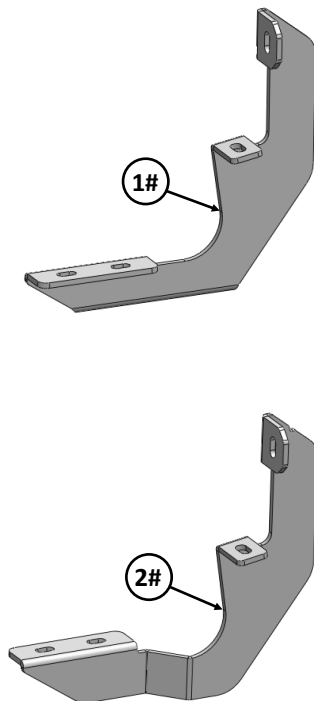
READ INSTRUCTIONS CAREFULLY BEFORE STARTING INSTALLATION. REMOVE CONTENTS FROM BOX AND VERIFY ALL PARTS ARE PRESENT. ASSISTANCE IS RECOMMENDED.

*ROCKER PANEL MOUNT
*NO DRILLING REQUIRED

Fastener Size	Tightening Torque (ft-lbs)	Required
6mm	6-7	X
8mm	16-18	√
10mm	31-32	X
12mm	56-58	X
14mm	92-94	X

PART LIST

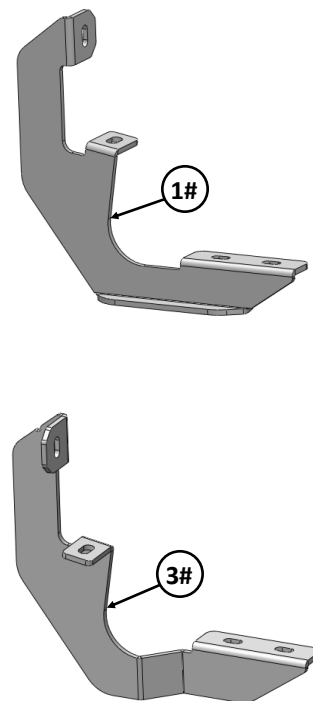
Driver Side Step Bar



Front



Passenger Side Step Bar

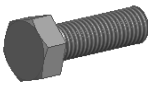


Customer Support: info@iboardauto.com




Scan for
Installation Video


Hardware Package A (For Bracket Installation)					
Item	QTY	Description	Item	QTY	Description
1#	2	Driver/Passenger Front Mounting Brackets	4#	8	M8X1.25-30mm Hex Bolts
2#	1	Driver Rear Mounting Brackets	5#	8	M8 Large Flat Washers
3#	1	Passenger Rear Mounting Brackets	6#	8	M8 Lock Washers



4#

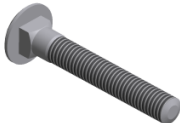


5#




6#


Hardware Package B (For Step Bar Installation)					
Item	QTY	Description	Item	QTY	Description
1#	8	M8X1.25-35mm Carriage Bolts	3#	8	M8 Nylon Lock Nuts
2#	8	M8 Large Flat Washers	4#	4	Sliders (Packed with Mounting Brackets)




1 #



2 #



3 #



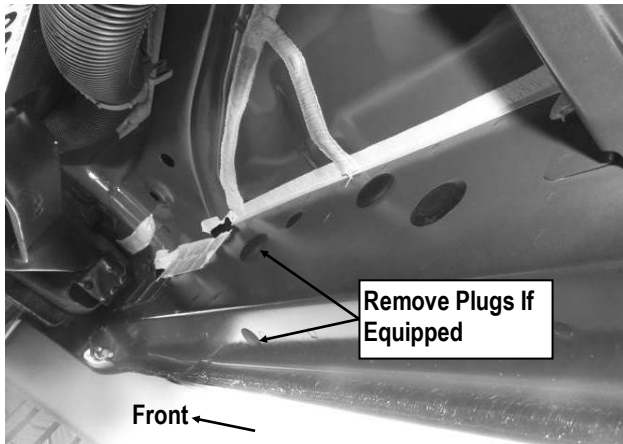
4 #



STEP 1

Start installation from the driver side front of the vehicle. Locate the plastic plugs along the bottom edge of the body, (**Fig 1**). Remove the plastic plugs from the front mounting location. Directly above each threaded insert is a top mounting location on the side of the body panel. Hold a Bracket up in place to help determine the correct mounting holes to use along the body.

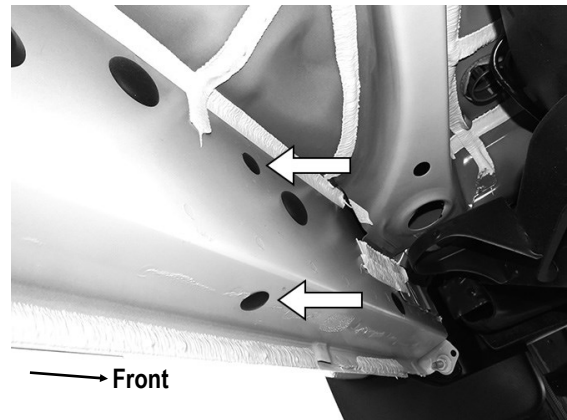
NOTE: Thread an M8 Hex Bolt into the threaded inserts to clear paint as required.



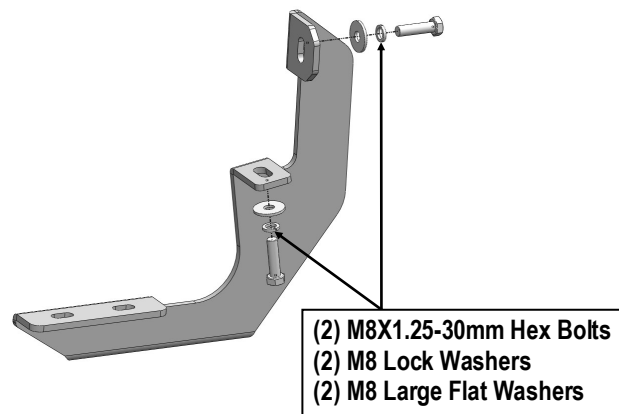
(Fig 1) Remove The Plastic Plugs

STEP 2

Start from the driver front mounting location, (**Fig 2**). Select (1) Mounting Bracket. Bolt the Mounting Bracket to the factory threaded holes with (2) M8X1.25-30mm Hex Bolts, (2) M8 Lock Washers and (2) M8 Large Flat Washers, (**Fig 3**). Do not fully tighten hardware at this time.



(Fig 2) Driver Front Mounting Location

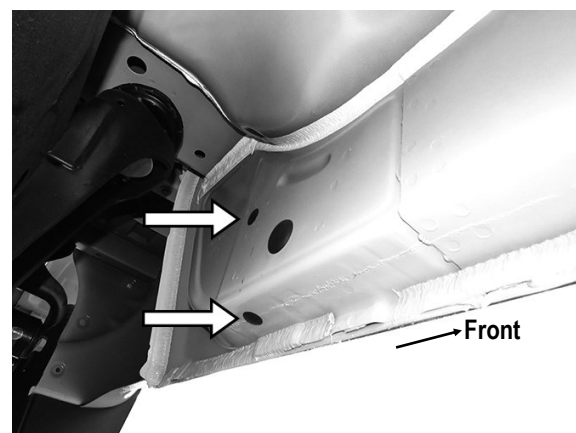


(Fig 3) Driver Side Front Mounting Bracket Installation

STEP 3

Continue move to the driver side rear of the vehicle, (**Fig 4**). Repeat **Steps 1 – 2** to install the remaining driver side Bracket in the rear location.

Note: Driver Front Mounting Bracket and Passenger Front Mounting Bracket are universal.



(Fig 4) Driver Side Rear Mounting Location



STEP 4

Once all (2) Driver side mounting brackets are installed, then proceed to the Step Bar installation. (Figs 5 & 6)

- (1) Select (1) Slider and (2) M8X1.25-35mm Carriage Bolts;
- (2) Install (2) M8X1.25-35mm Carriage Bolts in (1) Slider.
- (3) Slide the Slider (with carriage bolts) to the **Step Bar**.
- (4) Repeat to install the other (1) slider to the step bar.
- (5) Attach the Step Bar (with the Sliders) onto the installed mounting brackets. Position the Sliders to the installed brackets. Secure the Step Bar to the installed Brackets by using (4) M8 Large Flat Washers and (4) M8 Nylon Lock Nuts and (2) Sliders, (Fig 6). Do not fully tighten hardware at this time.

Note: The Sliders are packed with the Mounting Brackets.

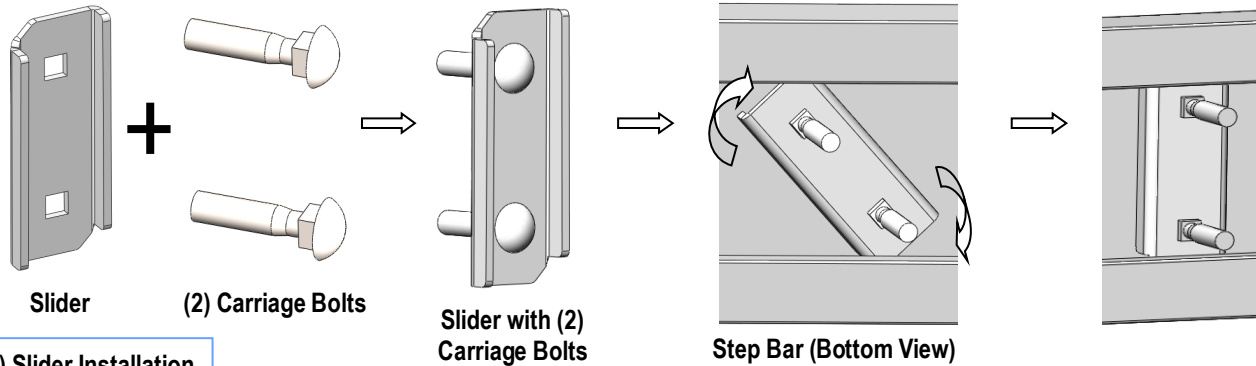
Level and adjust the Step Bar and fully tighten all hardware.

Repeat **Steps 1-4** for the other side Step Bar installation. **The installation is completed!!!**

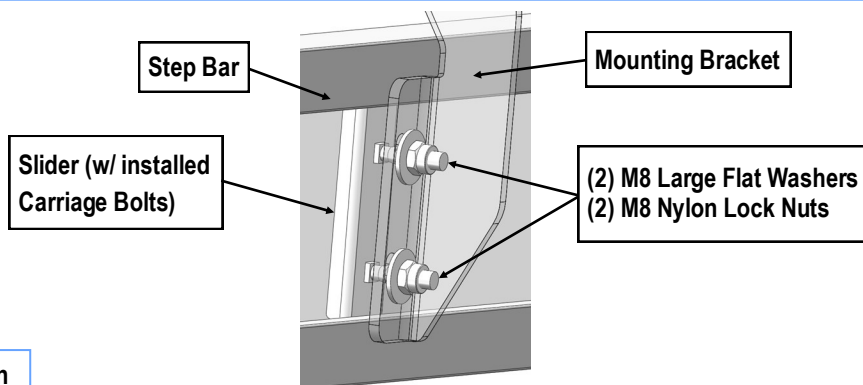
Attention

Do periodic inspections to the installation to make sure that all hardware is secure and tight.

In order to protect your bars/boards, please use mild soap/non-abrasive products for cleaning only.



(Fig 5) Slider Installation



(Fig 6) Step Bar Installation