

iBoard®



Scan for
Installation Video

iBoard® by APS

PART#: IB-P295Y&H

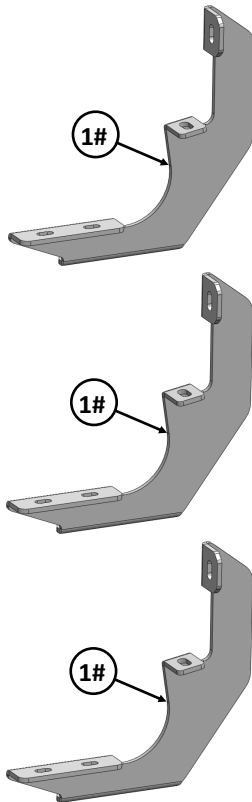
READ INSTRUCTIONS CAREFULLY BEFORE STARTING INSTALLATION. REMOVE CONTENTS FROM BOX AND VERIFY ALL PARTS ARE PRESENT. ASSISTANCE IS RECOMMENDED.

*ROCKER PANEL MOUNT
*NO DRILLING REQUIRED

Fastener Size	Tightening Torque (ft-lbs)	Required
6mm	6-7	X
8mm	16-18	√
10mm	31-32	X
12mm	56-58	X
14mm	92-94	X

PART LIST

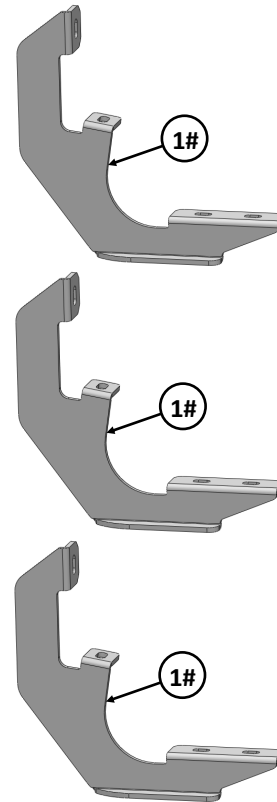
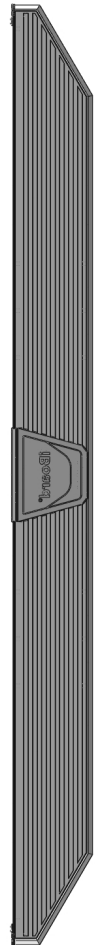
Driver Side Step Bar



Front



Passenger Side Step Bar

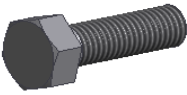


Customer Support: info@iboardauto.com




Scan for
Installation Video


Hardware Package A (For Bracket Installation)					
Item	QTY	Description	Item	QTY	Description
1#	6	Mounting Brackets	3#	12	M8 Large Flat Washers
2#	12	M8X1.25-30mm Hex Bolts	4#	12	M8 Lock Washers



2 #

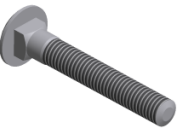


3 #




4 #


Hardware Package B (For Step Bar Installation)					
Item	QTY	Description	Item	QTY	Description
1#	12	M8X1.25-35mm Carriage Bolts	3#	12	M8 Nylon Lock Nuts
2#	12	M8 Large Flat Washers	4#	6	Sliders (Packed with Mounting Brackets)




1 #



2 #



3 #



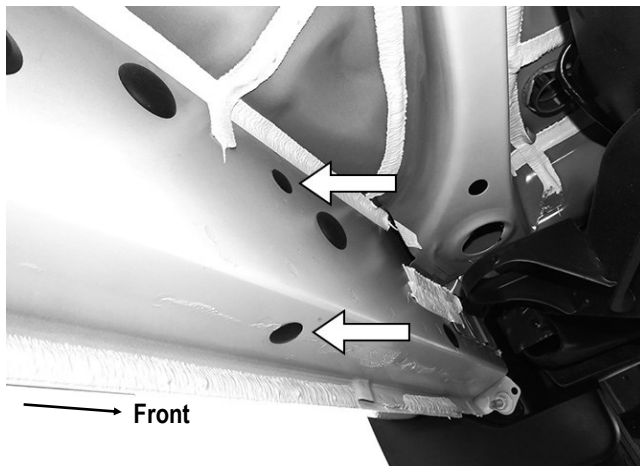
4 #



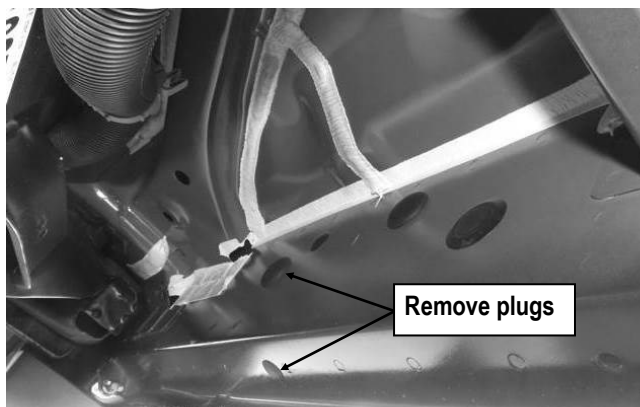
STEP 1

Start installation from the driver side front of the vehicle, (**Fig 1**). Locate the 6 plugs along the bottom edge of the body, Mounting Brackets will be bolted to the 1st, 2nd and 4th threaded mounting holes. Remove the plastic plugs from each mounting location, (**Fig 2**). Directly above each threaded insert is a top mounting location on the side of the body panel. Hold a Bracket up in place to help determine the mounting holes to use along the body.

NOTE: Thread an 8mm Hex Bolt into the threaded inserts to clear paint as required.



(Fig 1) Driver Side Front Mounting Location
(Driver Side Mounting Brackets will Bolt to 1st, 2nd, 4th Locations)

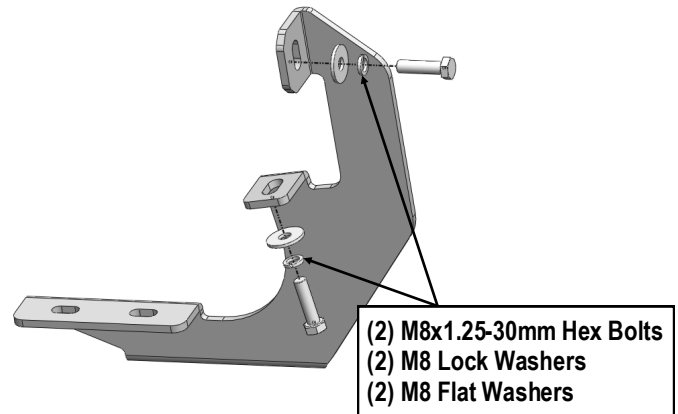


(Fig 2) Remove Plastic Plugs to Uncover Threaded Inserts

STEP 2

Select (1) Mounting Bracket, attach the Bracket to the factory threaded holes using the included (2) M8x1.25-30mm Hex Bolts, (2) M8 Lock Washers and (2) M8 Large Flat Washers, (**Fig 3**). Do not fully tighten hardware at this time.

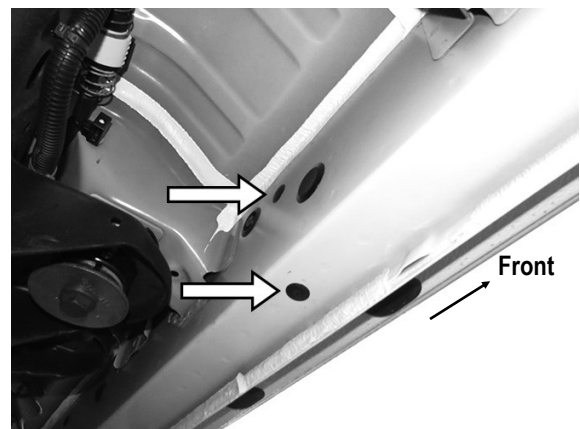
Note: All (6) Mounting Brackets are universal.



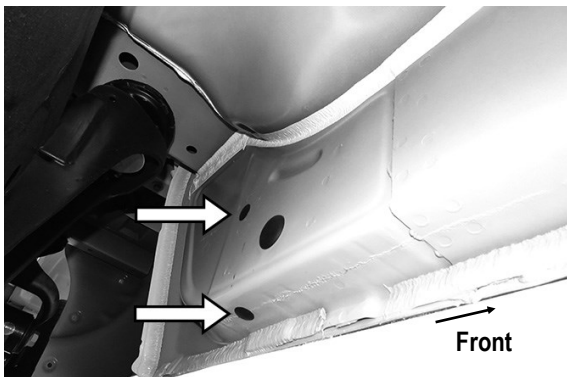
(Fig 3) Driver Front Mounting Bracket Installation

STEP 3

Move along the side panel to the driver side center and rear Mounting Locations, (**Figs 4 & 5**). Repeat **Steps 1 & 2** to install the Driver Center & Rear Mounting Brackets.



(Fig 4) Driver Side Center Mounting Location



(Fig 5) Driver Side Rear Mounting Location

- (3) Slide the Slider (with carriage bolts) to the **Step Bar**.
- (4) Repeat to install the other (2) sliders to the step bar.
- (5) Attach the Step Bar (with the Sliders) onto the installed mounting brackets. Position the Sliders to the installed brackets. Secure the Step Bar to the installed Brackets by using (6) M8 Large Flat Washers and (6) M8 Nylon Lock Nuts and (3) Sliders, (**Fig 7**). Do not fully tighten hardware at this time.

Note: The Sliders are packed with the Mounting Brackets. Level and adjust the Step Bar and fully tighten all hardware. Repeat **Steps 1-4** for the other side Step Bar installation. **The installation is completed!!!**

STEP 4

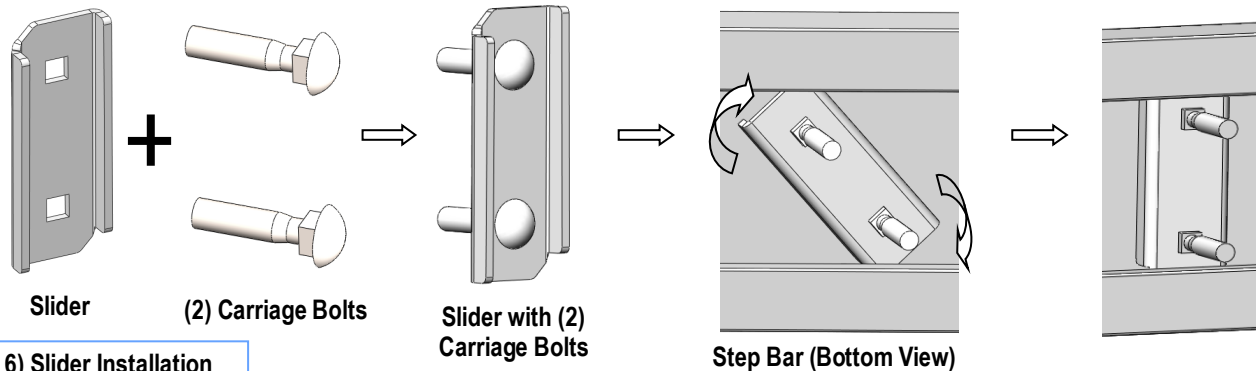
Once all (3) Driver side mounting brackets are assembled, then proceed to the Step Bar installation. (**Figs 6 & 7**)

- (1) Select (1) Slider and (2) M8X1.25-35mm Carriage Bolts;
- (2) Install (2) M8X1.25-35mm Carriage Bolts in (1) Slider.

Attention

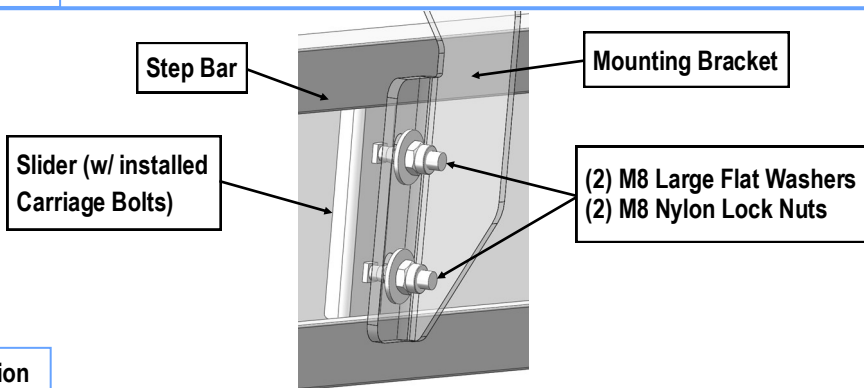
Do periodic inspections to the installation to make sure that all hardware is secure and tight.

In order to protect your bars/boards, please use mild soap/non-abrasive products for cleaning only.



(Fig 6) Slider Installation

Step Bar (Bottom View)



(Fig 7) Step Bar Installation